

**maxGUARD  
AMG FIM-C****Weidmüller Interface GmbH & Co. KG**

Klingenbergstraße 16

D-32758 Detmold

Germany

Fon: +49 5231 1429-0

Fax: +49 5231 14292083

www.weidmueller.com



Efficient machine and facility operation calls for fail-safe and maintenance-friendly control voltage distribution that can be installed in a time and space-saving manner.

With the new maxGUARD system, the terminal blocks (previously installed separately) for distributing potential to the outputs of the electronic load monitors become an integral part of a 24 V DC control voltage distribution system.

The innovative combination of load monitoring and potential distribution saves time during installation, increases safety against failure and reduces the amount of space required on the terminal rail by 50%.

**General ordering data**

Type	AMG FIM-C
Order No.	<a href="#">2081880000</a>
Version	Feed-in module, 24 V DC
GTIN (EAN)	4050118419429
Qty.	1 pc(s).

**maxGUARD  
AMG FIM-C**

**Weidmüller Interface GmbH & Co. KG**  
Klingenbergstraße 16  
D-32758 Detmold  
Germany  
Fon: +49 5231 1429-0  
Fax: +49 5231 14292083  
www.weidmueller.com

**Technical data**
**Dimensions and weights**

Width	12.2 mm	Width (inches)	0.48 inch
Height	125 mm	Height (inches)	4.921 inch
Depth	96.5 mm	Depth (inches)	3.799 inch
Net weight	78 g		

**Temperatures**

Operating temperature	-25 °C...55 °C	Storage temperature	-40 °C...85 °C
-----------------------	----------------	---------------------	----------------

**Probability of failure**

MTTF	500 Years
------	-----------

**Input**

Connection system	PUSH IN	Current consumption (full load)	120 mA
Current consumption (idle)	20 mA	DC input voltage range	18...30 V DC
Input fuse (internal)	No	Rated input voltage	24 V DC
Surge protection	Suppressor diode	max. admissible residual ripple at the input	100 mVpp

**output**

Connection system	PUSH IN	Surge protection	Suppressor diode
-------------------	---------	------------------	------------------

**General data**

Control function	Yes	Control inputs	Reset
Operating temperature	-25 °C...55 °C	Protection degree	IP20
Surge voltage category	III		

**Insulation coordination**

Surge voltage category	III
------------------------	-----

**Connection data (input)**

Conductor cross-section, AWG/kcmil , max.	6	Conductor cross-section, AWG/kcmil , min.	18
Conductor cross-section, flexible , min.	0.75 mm <sup>2</sup>	Conductor cross-section, rigid , max.	10 mm <sup>2</sup>
Conductor cross-section, rigid , min.	0.75 mm <sup>2</sup>	Connection system	PUSH IN
Number of terminals	2 (+,-)	Screwdriver blade	1.2 x 6.5
Wire connection cross section, flexible (input), max.	16 mm <sup>2</sup>		

**Connection data (output)**

Conductor cross-section, AWG/kcmil , max.	12	Conductor cross-section, AWG/kcmil , min.	26
Conductor cross-section, flexible , max.	1.5 mm <sup>2</sup>	Conductor cross-section, flexible , min.	0.14 mm <sup>2</sup>
Conductor cross-section, rigid , max.	1.5 mm <sup>2</sup>	Conductor cross-section, rigid , min.	0.14 mm <sup>2</sup>
Connection system	PUSH IN	Number of terminals	2 (I <sub>K</sub> / Alarm)
Screwdriver blade	0.4 x 2.5		

**Data sheet**

**maxGUARD  
AMG FIM-C**

**Weidmüller Interface GmbH & Co. KG**  
 Klingenbergstraße 16  
 D-32758 Detmold  
 Germany  
 Fon: +49 5231 1429-0  
 Fax: +49 5231 14292083  
 www.weidmueller.com

**Technical data**

**Connection data (signal)**

Wire connection cross-section, flexible (signal), max. 1.5 mm<sup>2</sup>

**Signalling**

LED green	Operating voltage OK	LED red	Alarm
LED yellow	External reset is signalled, Alarm is signalled	Transistor output, positive-switching	Alarm

**Approvals**

Institute (cULus)



Certificate no. (cULus)

E258476

**Classifications**

ETIM 6.0	EC000897	eClass 6.2	27-37-15-02
eClass 9.1	27-14-11-20		

**Approvals**

Approvals



ROHS

Conform

**Downloads**

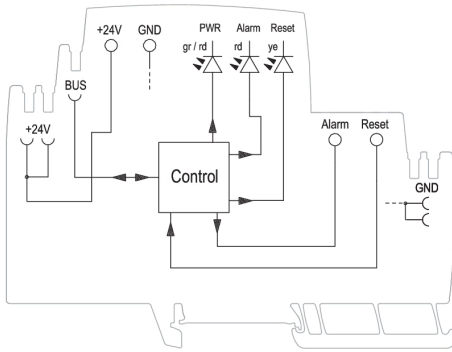
Brochure/Catalogue	<a href="#">CAT 1 TERM 16/17 EN</a>
Engineering Data	<a href="#">EPLAN, WSCAD, Zuken E3.S</a>
User Documentation	<a href="#">Operating instructions</a> <a href="#">Manual_Maxguard_01_04_2017_DE_EN</a>

**Data sheet**

**maxGUARD  
AMG FIM-C**

**Weidmüller Interface GmbH & Co. KG**  
Klingenbergstraße 16  
D-32758 Detmold  
Germany  
Fon: +49 5231 1429-0  
Fax: +49 5231 14292083  
www.weidmueller.com

**Drawings**



Schematic circuit diagram