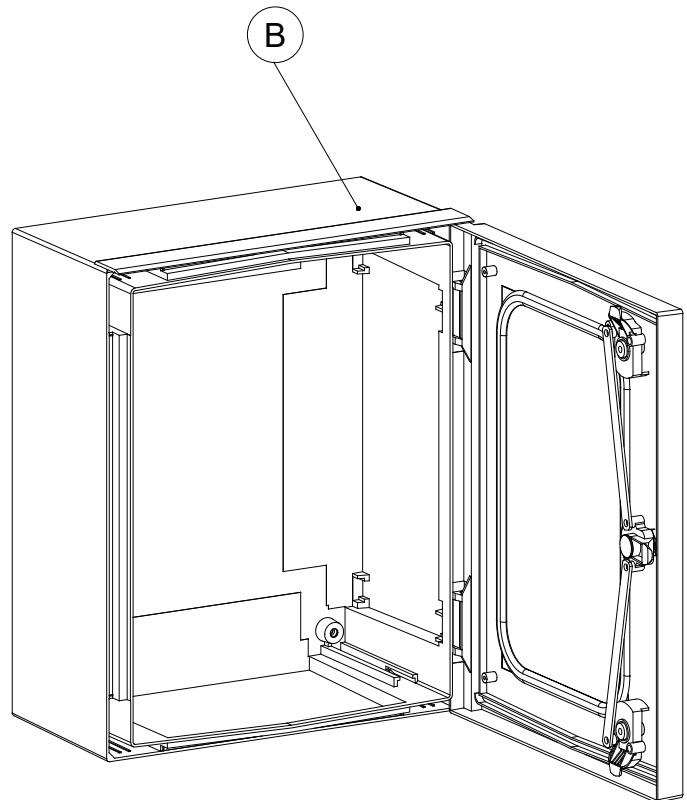
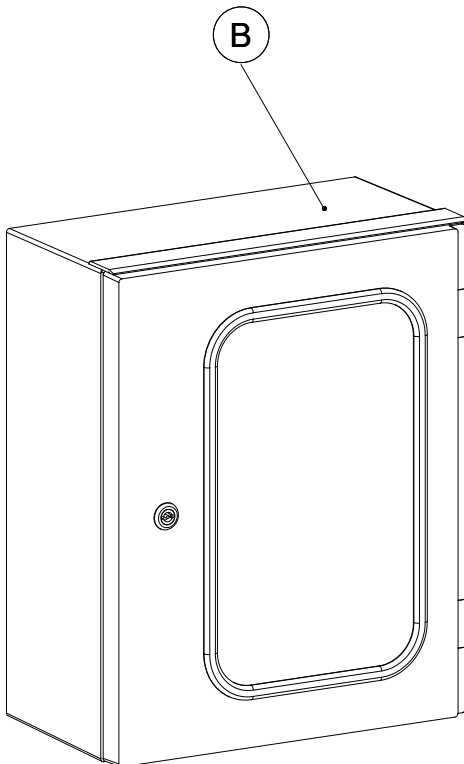
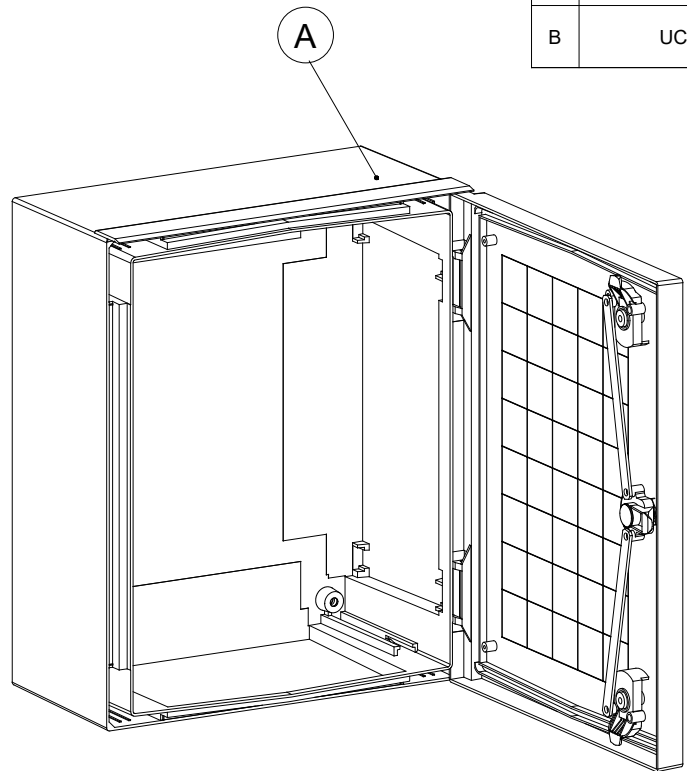
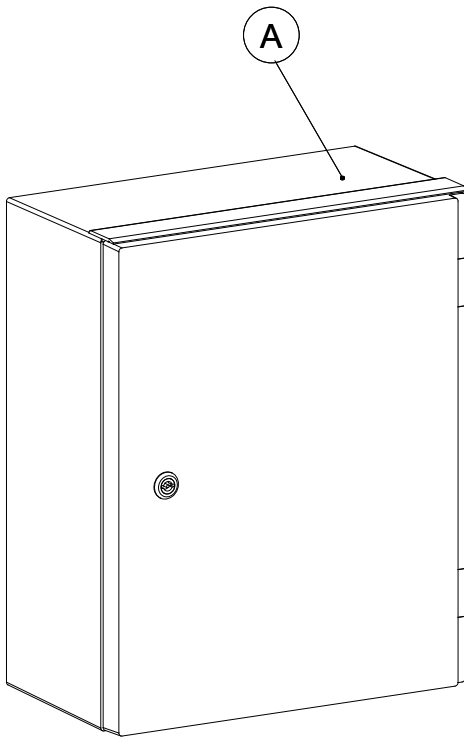


UCP/UCPT

Ref.	Pic.
A	UCP
B	UCPT



WARNING: When mounting on or over a combustible surface, a floor plate of at least 1.43 mm galvanized or 1.6 mm uncoated steel extended at least 150 mm beyond the equipment on all sides must be installed.

WARNING: In order to maintain the environmental integrity of the enclosure, devices with the same environmental ratings shall be used to close openings in customized enclosure.

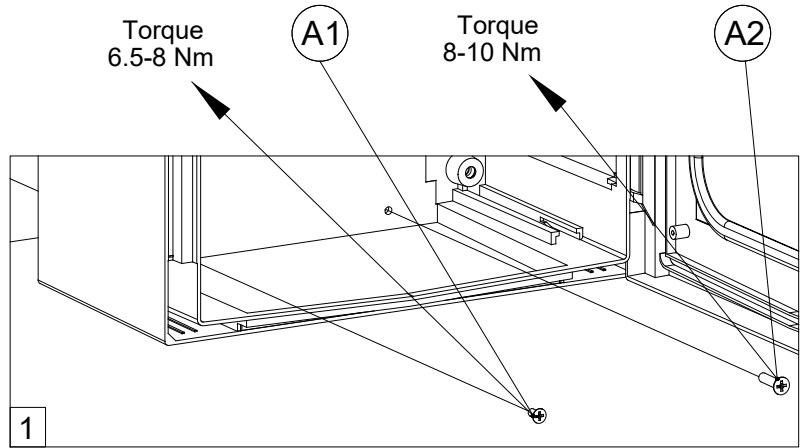
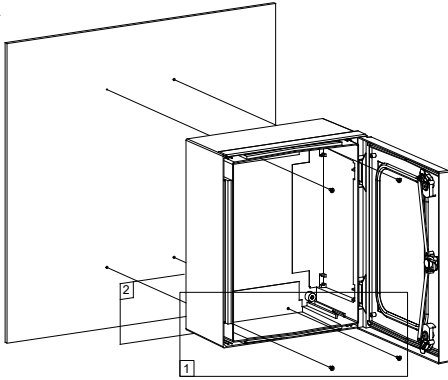


UCP/UCPT

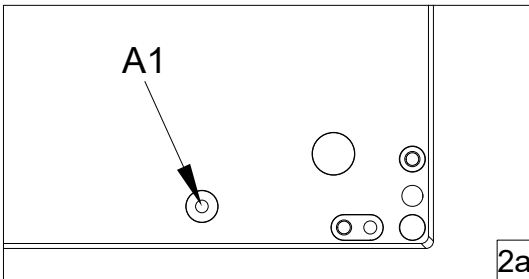
Direct wall mounting

Ref.	Pic.	Qty.
A1	UCP320 - UCP640 M6x12	4
A2	UCP750 - UCP1080 M9x20	4
B	UCP320 - UCP1080 M8x20	4

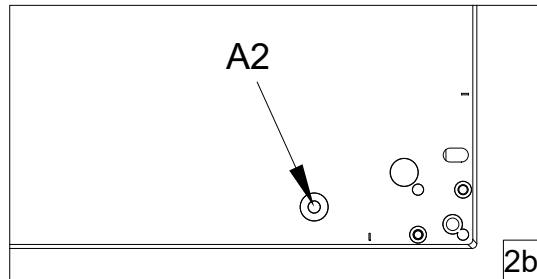
Option A



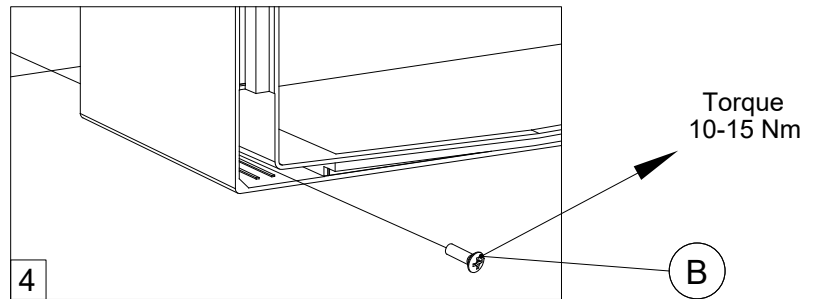
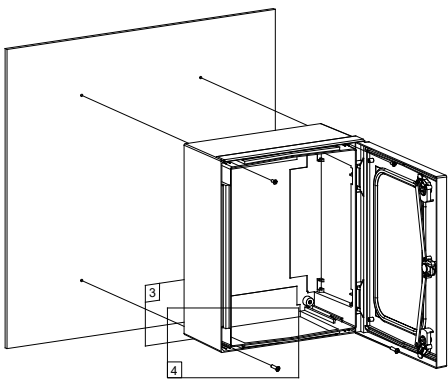
UCP320/UCP452/UCP540/UCP640



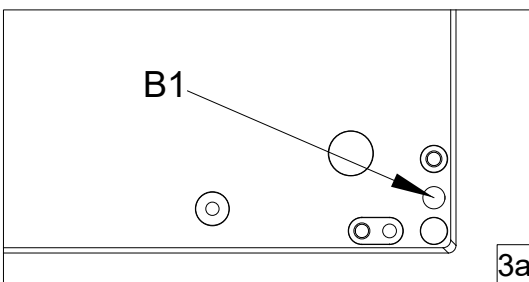
UCP750/UCP860/UCP1080



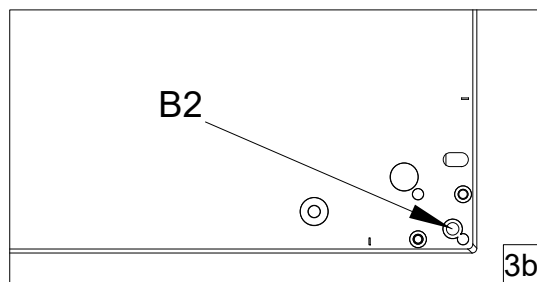
Option B



UCP320/UCP430/UCP540/UCP640



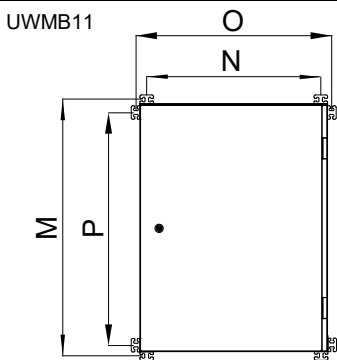
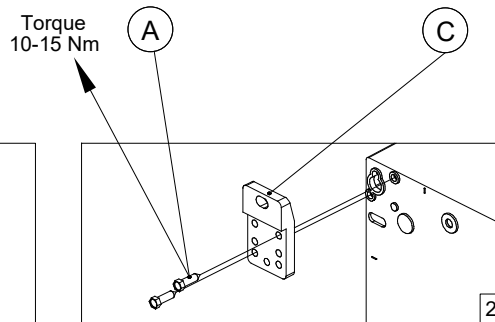
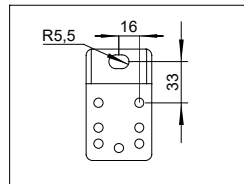
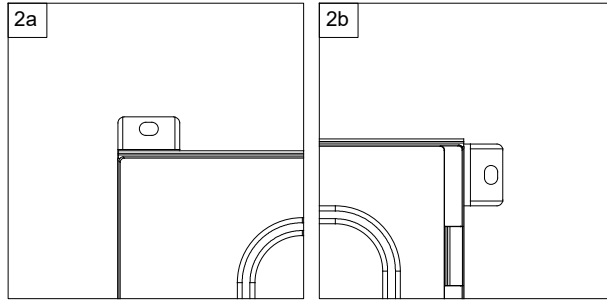
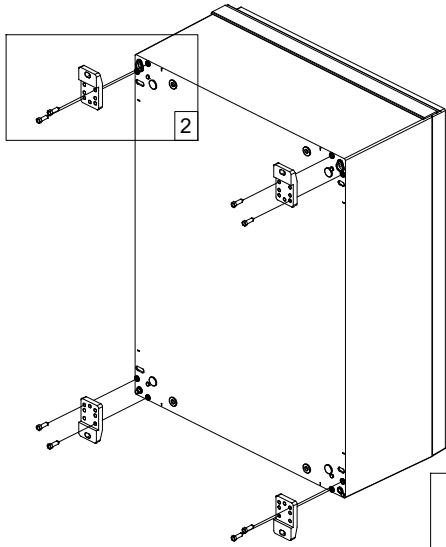
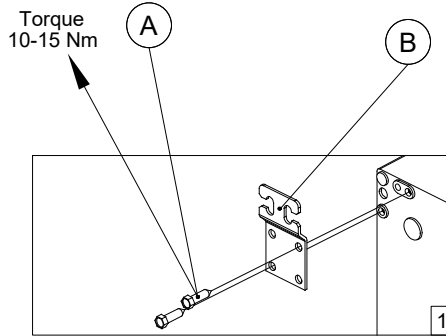
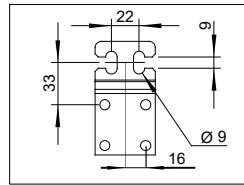
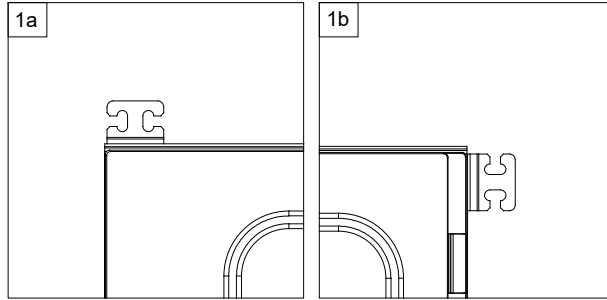
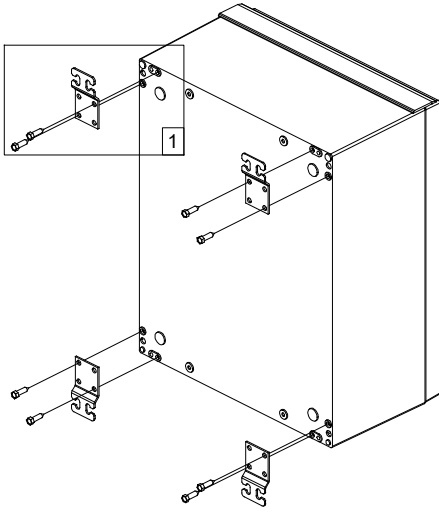
UCP750/UCP860/UCP1080



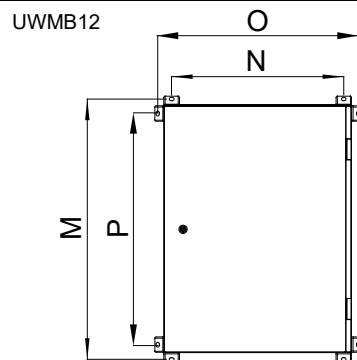


UWMB Wall mounting brackets

Ref.	Pic.	Qty.
A	M8x20	4
B	UWMB11	4
C	UWMB12	4



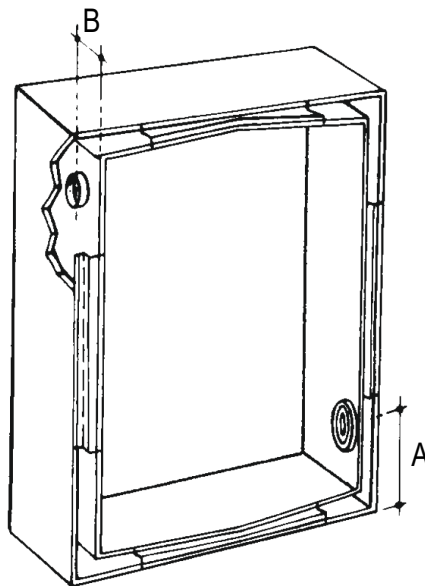
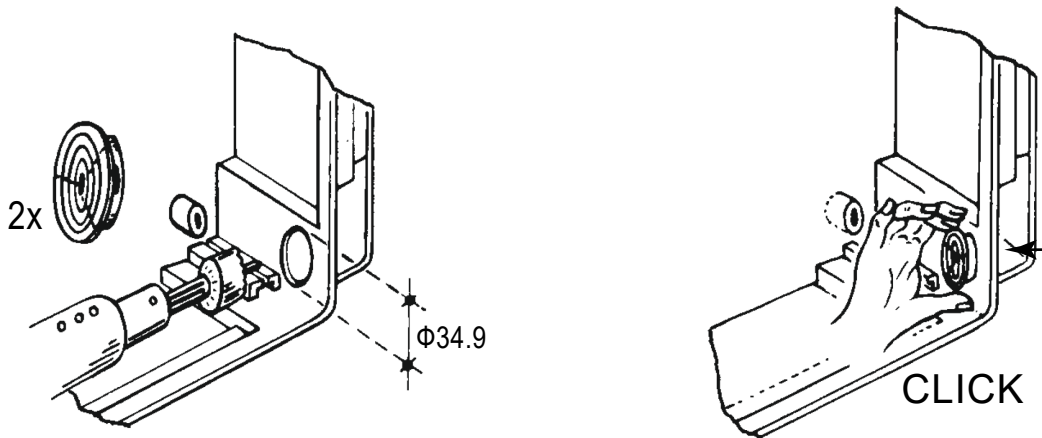
Item	M	N	P	O
UCP320	362	162	262	262
UCP430	462	262	362	362
UCP540	562	362	462	462
UCP640	662	362	562	462
UCP750	782	482	682	582
UCP860	882	582	782	682
UCP1080	1082	782	982	882



Item	M	N	P	O
UCP320	361	162	262	261
UCP430	461	262	362	361
UCP540	561	362	462	461
UCP640	661	362	562	461
UCP750	781	482	682	581
UCP860	881	582	782	681
UCP1080	1081	782	982	881



UPVD Air ventilation grids

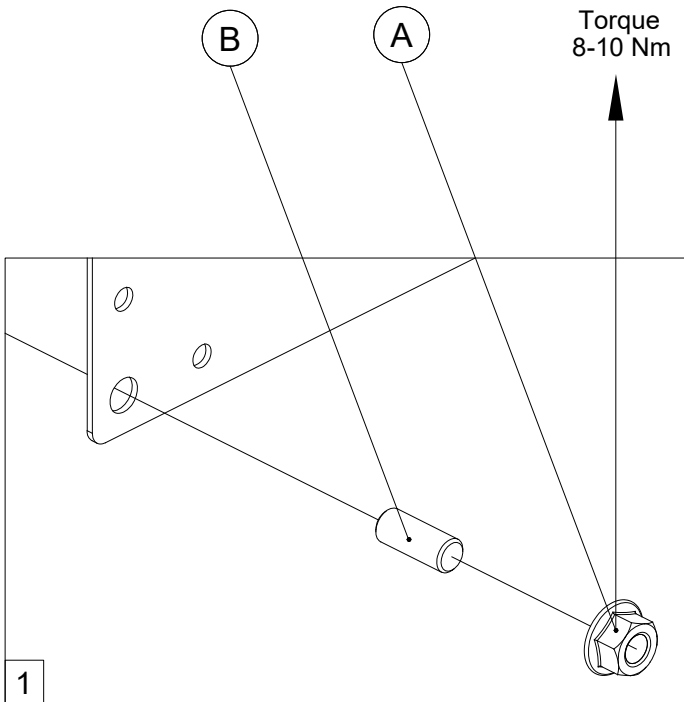
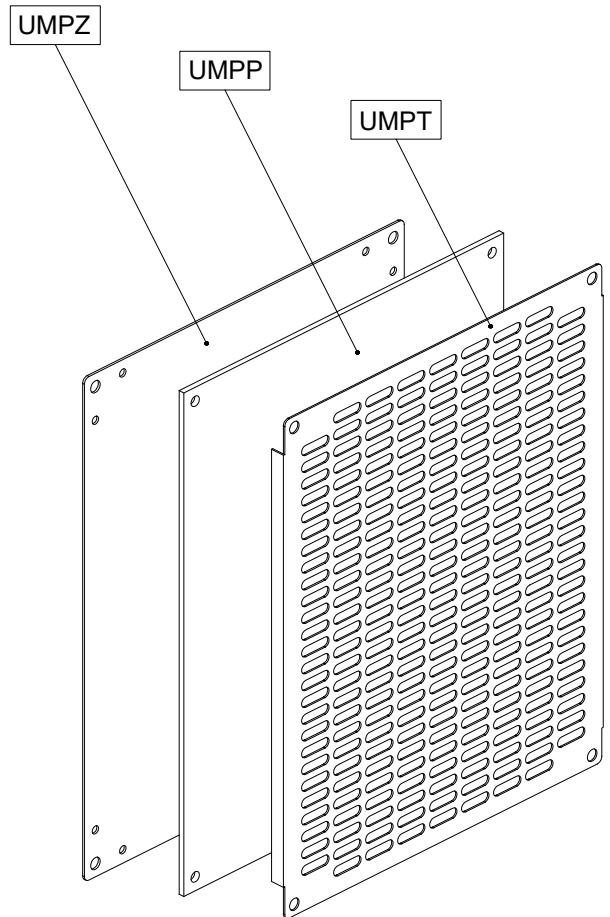
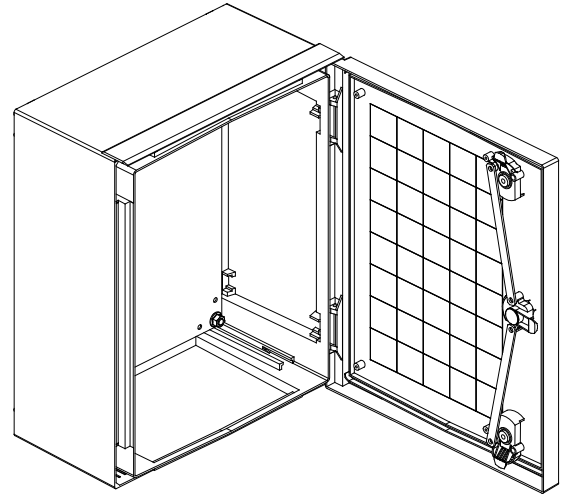
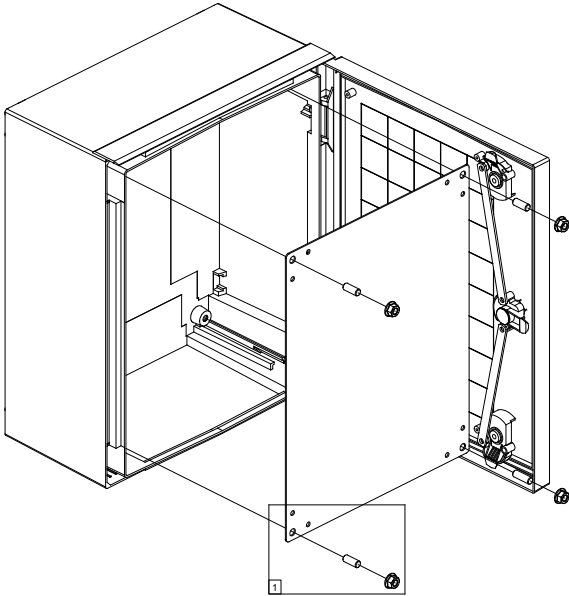
	A	B
400x300	45	43
500x400	45	43
600x400	45	43
700x500	80	55
800x600	80	55
1000x800	80	55





UMPZ/UMPP/UMPT Mounting plates

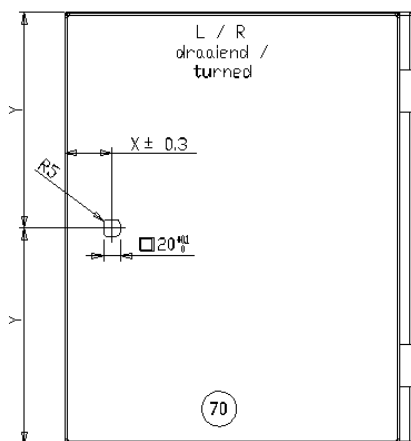
Ref.	Pic.	Qty.
A		M10 4
B		M10x25 4



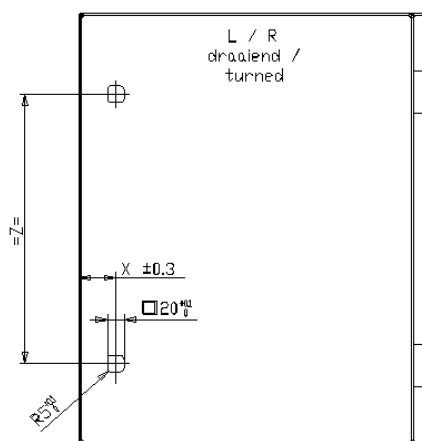
1

UDH Handles

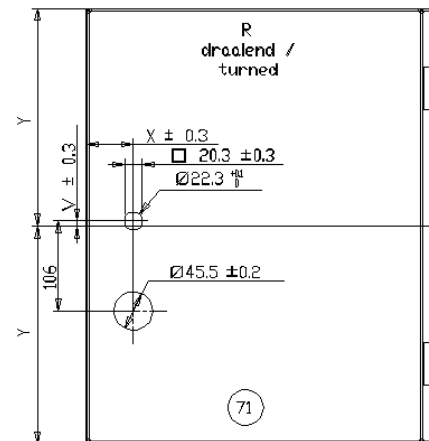
1. Door cut-outs



1 PTS / 3 PTS
SLUITSYSTEEM / LOCKING SYSTEM



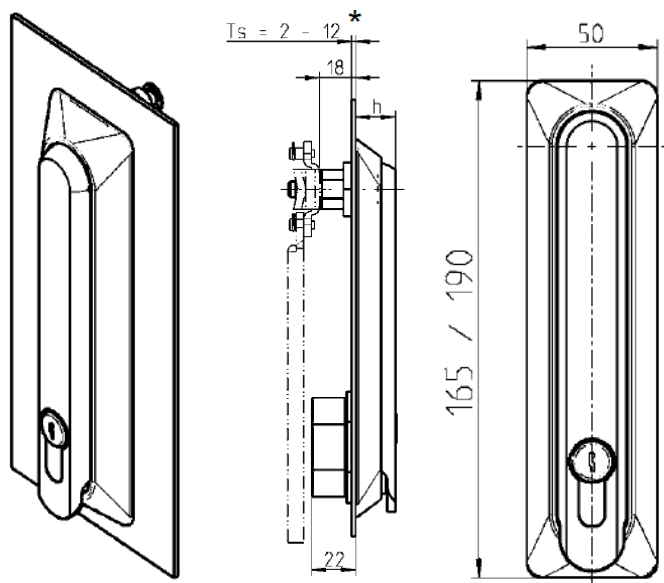
2 PTS
SLUITSYSTEEM / LOCKING SYSTEM



HANDGRIEP / HANDLE

Type/Dim [mm]	X (1-point)	X (2-point)	X (central)	Y	Z	V
UCP320	44			151	-	0
UCP430/UCPT430	44		56	207	-	6
UCP540/UCPT540		44	56	257	320	0
UCP640/UCPT640		44	56	307	420	0
UCP750/UCPT750		44	64	367	445	0
UCP860/UCPT860		53	64	417	560	0
UCP1080/UCPT1080		53	64	517	760	0

2. UDH2C/UDH3C Swinghandle

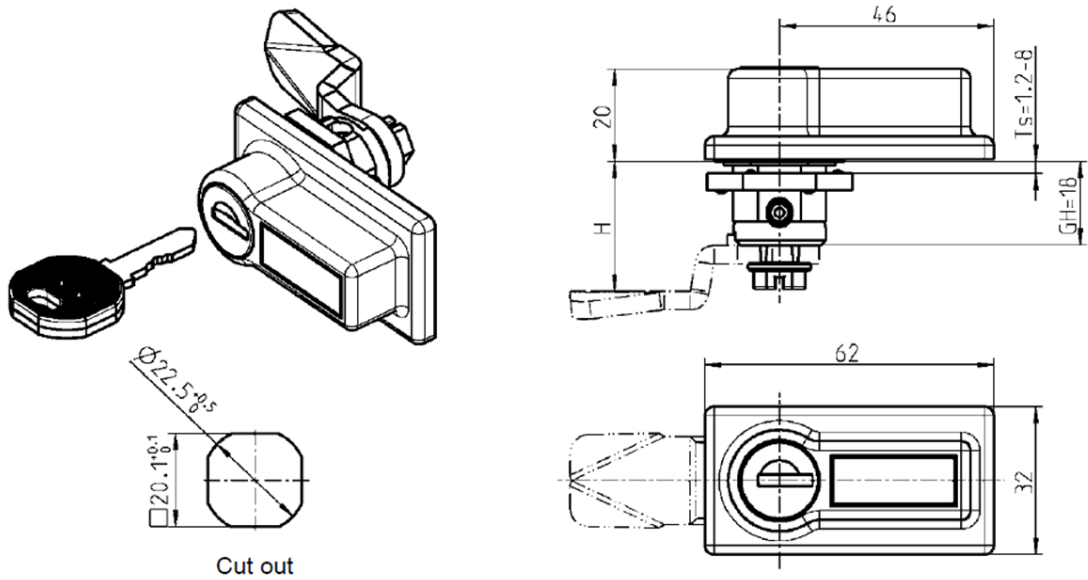


Above drawing is a general drawing for these swing-handles and may vary from the product specified like mentioned below.

UDH2C/UDH3C:

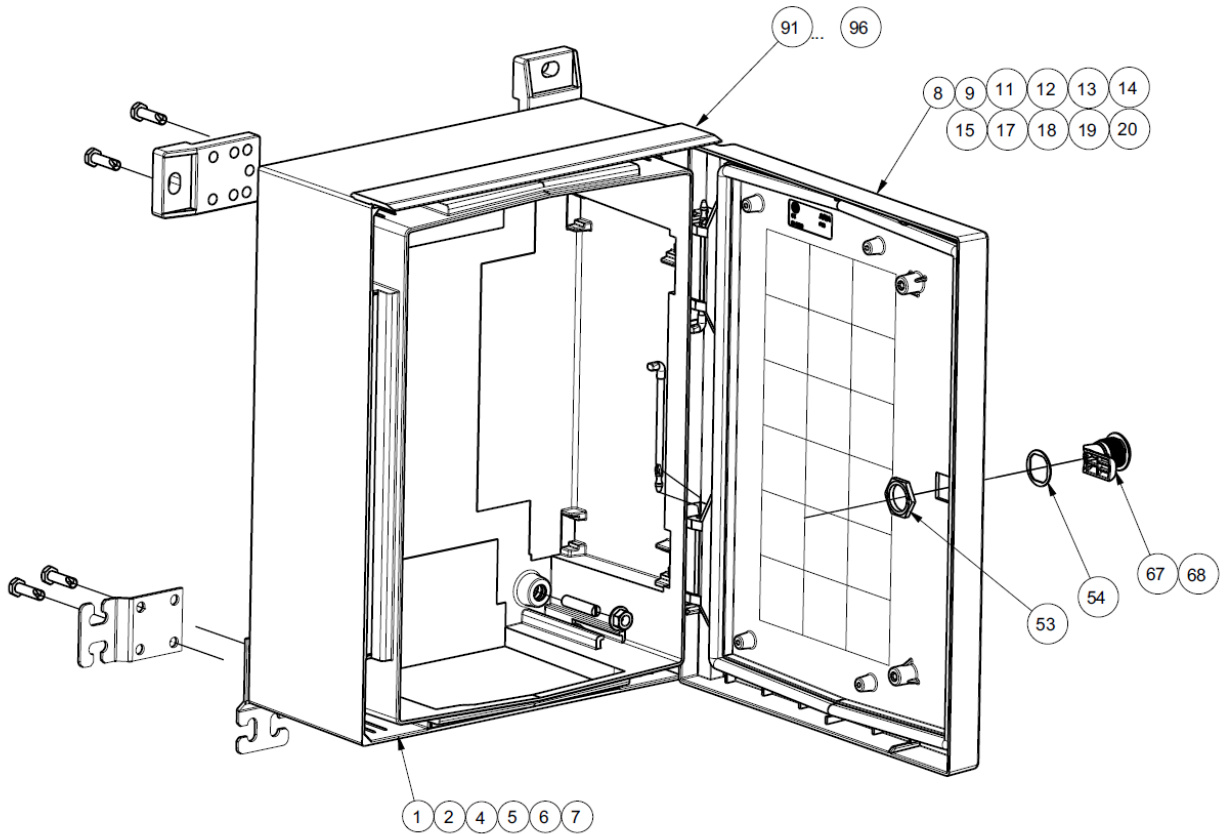
- does include a plastic cap above the lock insert like shown in the picture. This cap can be sealed. It is foreseen for protecting the lock itself from environmental impacts.
- does not include the profile half cylinder itself.
- does not include the locking mechanism on the inner side like closing cams or locking bars.

3. Handle

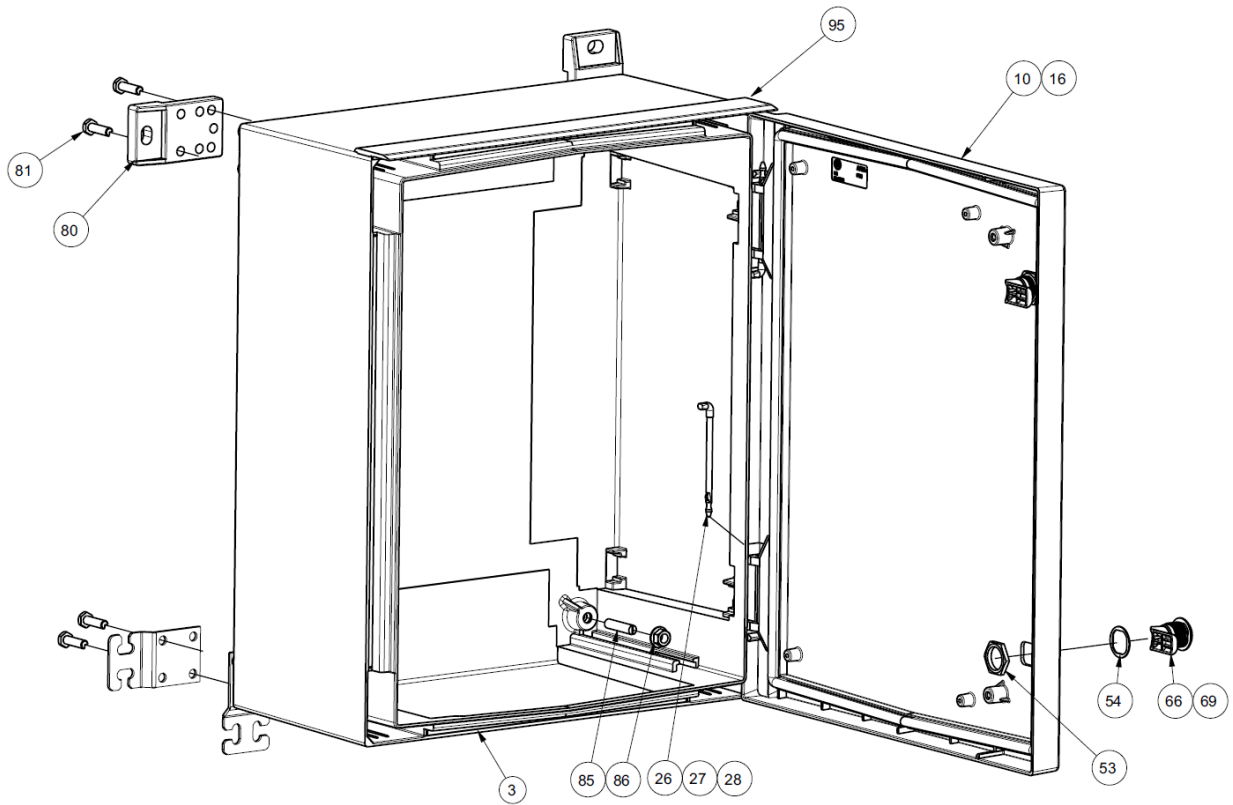


Item-No.	Description
UDH0C	Neutral handle
UDH1C	Handle with key E2432

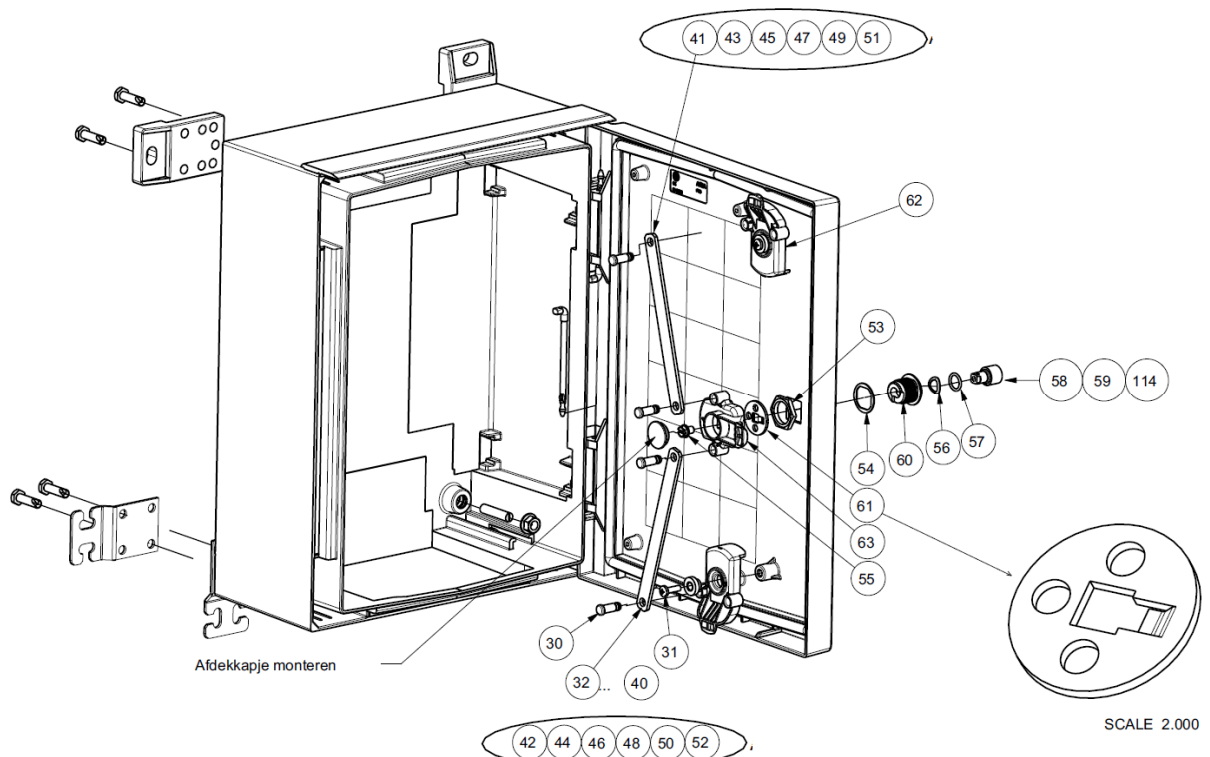
4. UCP/UCPT with 1-point locking



5. UCP/UCPT with 2-point locking






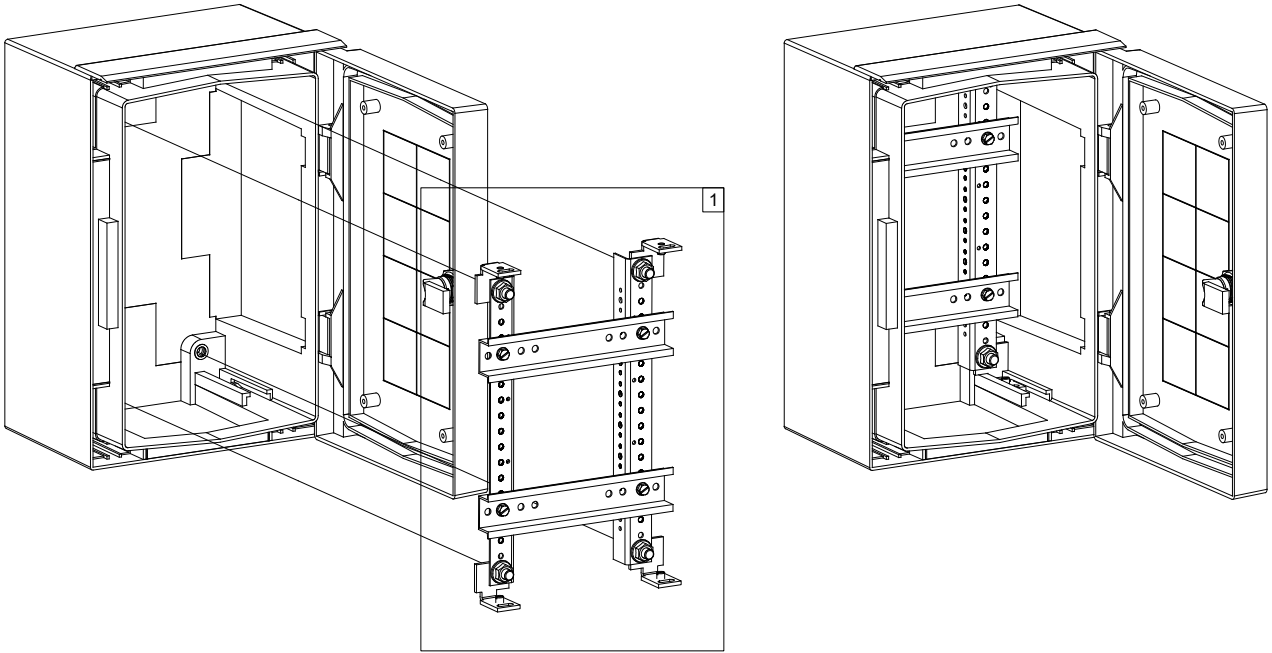
6. UCP/UCPT with 3-point double-bit





UMF/UCD Mounting frame/Depth adjustment kit

Ref.	Pic.	Qty.
A	 M8	4
B	 M6x12	4
C	 UCD	4



2x DIN rail

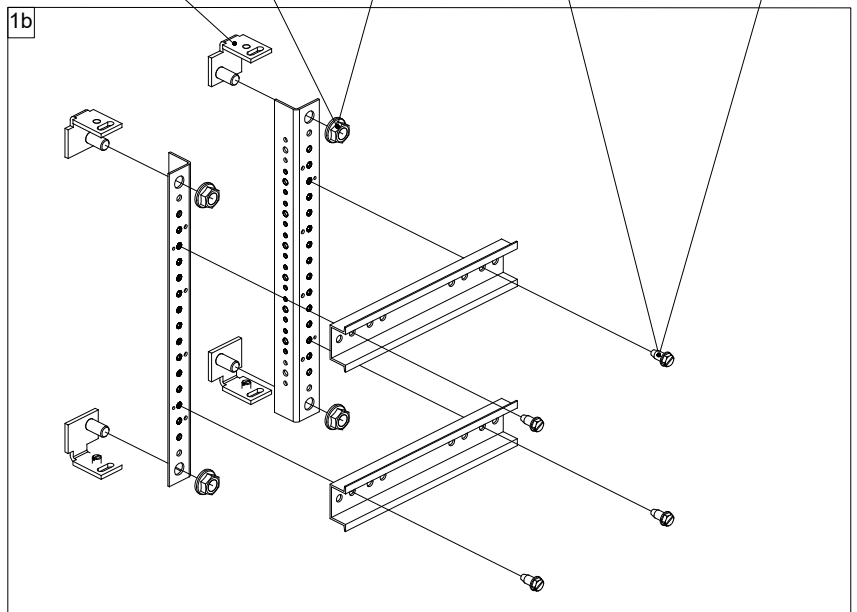
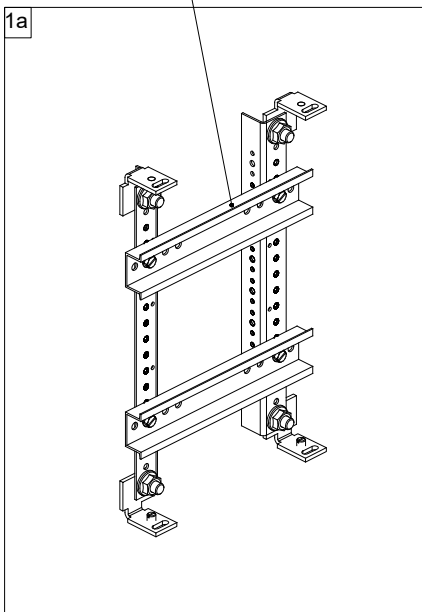
C

Torque
8-10 Nm

A

B

Torque
6-8 Nm

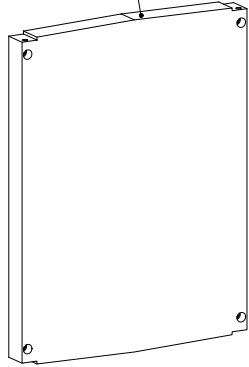




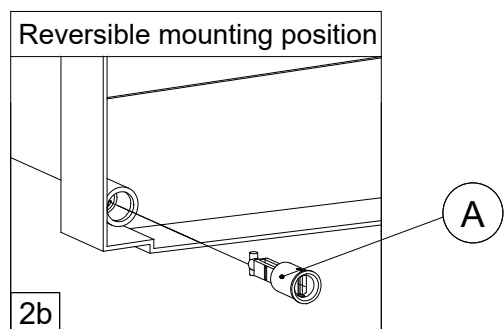
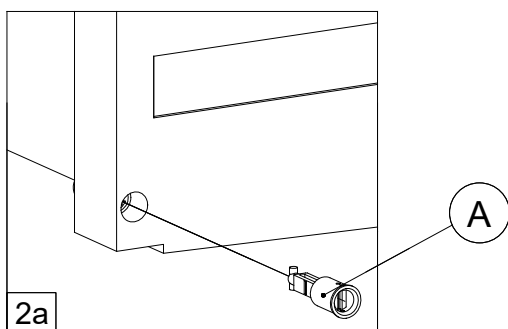
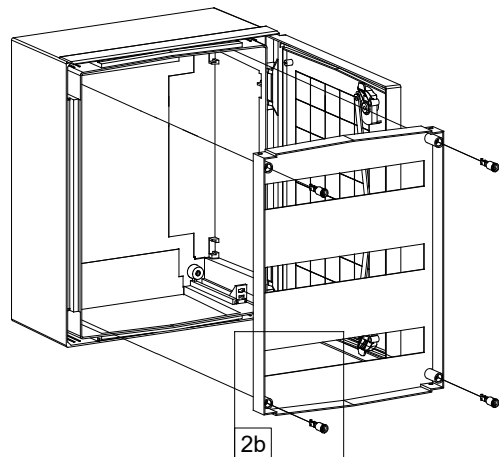
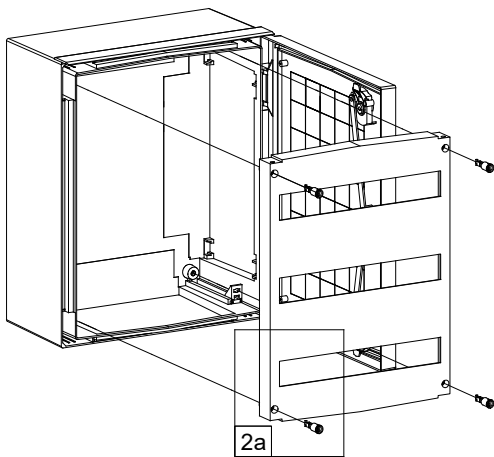
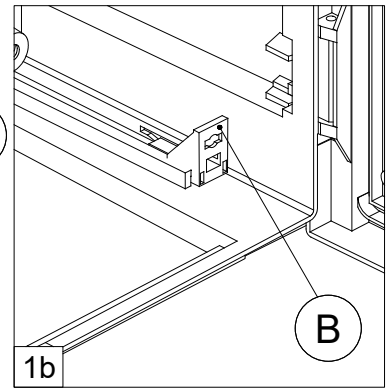
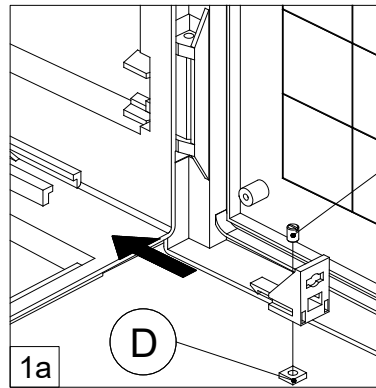
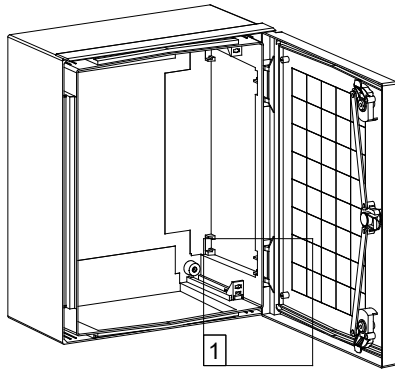
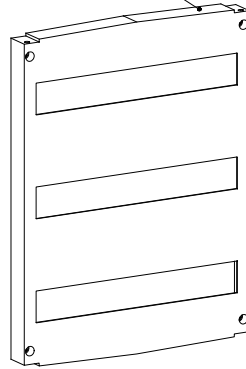
UFCP Cover plate

Ref.	Pic.	Qty.
A		4
B		4
C		4
D		4

Plain full cover plate



Cover plate with DIN cut-out



Reversible mounting position