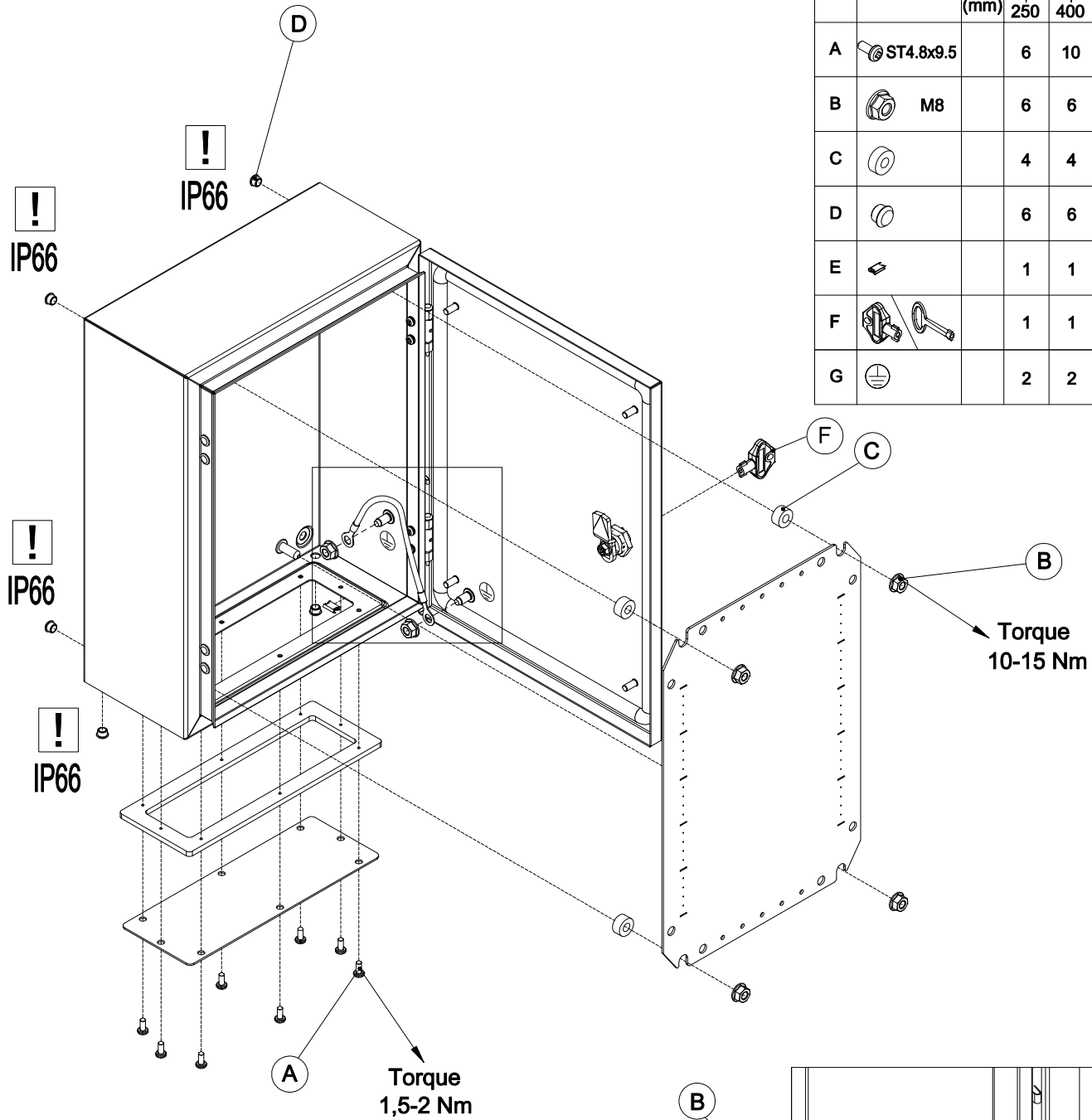


# MAS



Ref.	Pic.	H (mm)	200	200	300	1000	600	1000
		W (mm)	350	800	800	1200	800	1200
			150	300	500	600	800	800
A	ST4.8x9.5	6	10	14	14	20	20	
B	M8	6	6	6	8	6	8	
C		4	4	4	6	4	6	
D		6	6	6	6	6	6	
E		1	1	1	1	2	2	
F		1	1	1	1	1	1	
G		2	2	2	2	2	2	



**WARNING:** When mounting on or over a combustible surface, a floor plate of at least 1.43 mm galvanized or 1.6 mm uncoated steel extended at least 150 mm beyond the equipment on all sides must be installed.

**WARNING:** In order to maintain the environmental integrity of the enclosure, devices with the same environmental ratings shall be used to close openings in customized enclosure.

