



Hoffman

SPECTRACOOOL SLIM FIT AIR CONDITIONERS

DESIGN WITH CONFIDENCE

EQUIPMENT PROTECTION



THE ULTIMATE IN COOLING CONVENIENCE

Loaded with features and options to take the hassles out of industrial cooling.

SPECTRACOOL SLIM FIT AIR CONDITIONERS

Specially designed and developed to meet the requirements of worldwide industrial customers. SpectraCool Slim Fit air conditioners are easy to specify and ready to use.

With filterless operation, global certifications and with our new remote access controller, the SpectraCool Slim Fit air conditioner makes automation cooling easy for system designers and operations maintenance teams around the world.

INDUSTRIAL APPLICATIONS:

Covering most industrial applications including machine tool, automotive, packaging systems, wood forming, factory robotics, material handling and more.

Hoffman



REDUCES COSTS AND MAINTENANCE

THREE DIFFERENT MOUNTING OPTIONS AND ALL IN THE SAME MODEL



Reduced maintenance:

- Optimized air flow
- Filterless operation



Easy fit:

- Front cover easy to remove
- Easy filter replacement when needed for extremely dusty applications

ENERGY EFFICIENT TO CONTROL OPERATING COSTS

- Cooling capacity: 300 Watt to 4000 Watt
- Voltage: 230 V (50/60 Hz), 115 V (50/60 Hz) and 400/460 V 3-phase (50/60 Hz)
- Protection class: IP 54 (internal loop) / UL Type 12
- Operating temperature range: 10 °C to 55 °C
- Slim depth with 3 mounting options
- Standard RAL 7035 light grey paint color

FEATURES AND BENEFITS

- High-efficiency rotary compressor – decreases operating costs
- Active condensate management – prevents dripping water
- Remote access control option – monitoring worldwide
- Dust-resistant coils for filterless operation – save maintenance costs
- Easy filter replacement – for extremely dusty environments
- Attractive aesthetics – optimized air flow

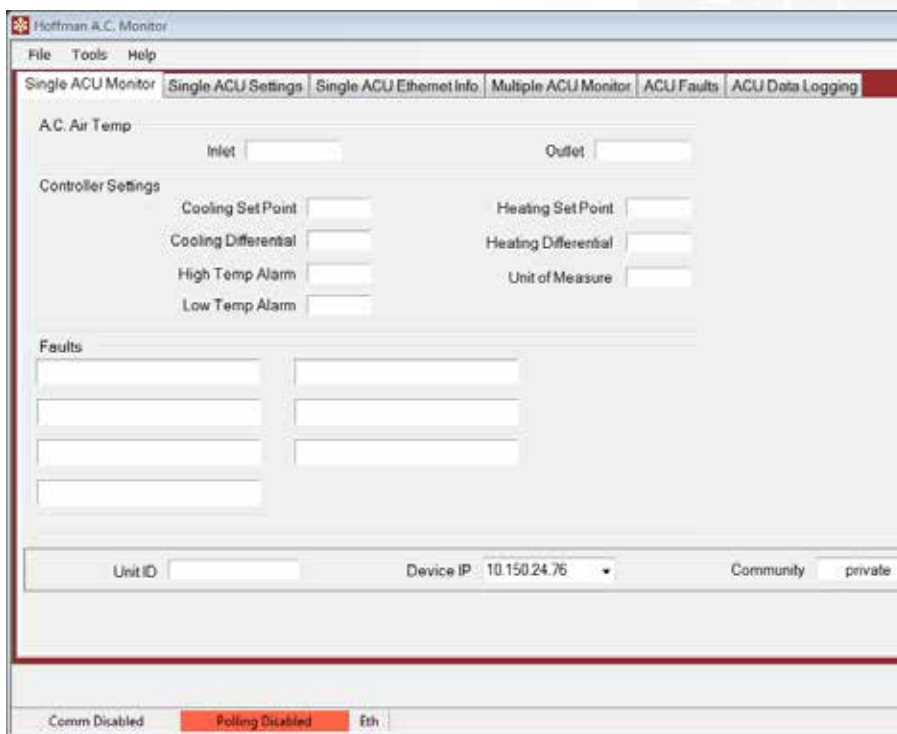


REMOTE ACCESS CONTROL

MONITOR AND MANAGE YOUR INDUSTRIAL COOLING SIMPLY FROM YOUR PC OR LAPTOP

The Hoffman remote access control system means you can avoid the surprise of an overheating cabinet wherever your industrial system is deployed around the world.

Wherever your Hoffman SpectraCool Slim Fit air conditioner is located, you can monitor and manage it without repeated, time-consuming and expensive maintenance visits.



FEATURES

- Direct pushbutton control and display indication of program variables, temperature, and enabled functions including cooling and alarms
- Integrated 3-digit alphanumeric display provides status codes and at-a-glance display of cabinet temperature
- Pre-programmed with cooling set points that are easily adjusted to changing needs
- Seven alarm conditions including door open, high pressure, air inlet and outlet temperature sensors, low temperature, high temperature, and frost
- Free PC interface software tool assigns a unique IP address to each SpectraCool Slim Fit unit equipped with remote access control, allowing system-wide management of multiple units
- Communicates via USB and Ethernet with common industrial protocols like SNMP, EtherNet/IP, Modbus-TCP or Profinet



SPECTRACOOL SLIM FIT

INDUSTRY STANDARDS

- UL/cUL Listed; Type 12; File No. SA6453
- CE, EAC, RoHS
- Cooling performance tested by TÜV SÜD Germany, according to DIN EN 14511
- IP 54 internal loop, IP 34 external loop

INDOOR APPLICATIONS

- Automation
- Machine Tool
- Automotive
- Packaging Systems, Material Handling
- MRO (Maintenance Repair Operation)

SPECIFICATIONS

- Cooling capacity: 300 Watt to 4000 Watt
- Voltage: 230 V (50/60 Hz), 115 V (50/60 Hz) and 400/460 V 3-phase (50/60 Hz)
- Operating temperature range: 10 °C to 55 °C

OPTIONS

- Filter
- Drain tube kit
- Remote access control by Comm-Board

FINISH

- Standard RAL 7035 light grey paint color
- Other colors and textures on request

FEATURES

- Protection class: IP 54 (internal loop) / UL Type 12
- Standardized dimensions and cutouts – easy exchange by cutouts and mounting points
- Slim depth with 3 mounting options: surface, partial recess and full recess mount; mounting options all in the same model; easy changeable
- Attractive design plastic cover with high, optimized airflow
- Dust resistant coils for filterless operation
- High efficiency rotary compressor
- Active condensate management with heater strip
- Smart controller with easy setup, status codes and alarm output
- Door switch capability and alarm output
- Terminal block
- Remote access control - Worldwide monitoring with SNMP, Ethernet/IP, Modbus-TCP and ProfiNet

DELIVERY COMPRISES

- Air conditioner unit
- Mounting gasket and hardware kit
- Cutout template
- Instruction manual
- Quick start guide



SPECTRACOOOL SLIM FIT – 300 WATT MODEL

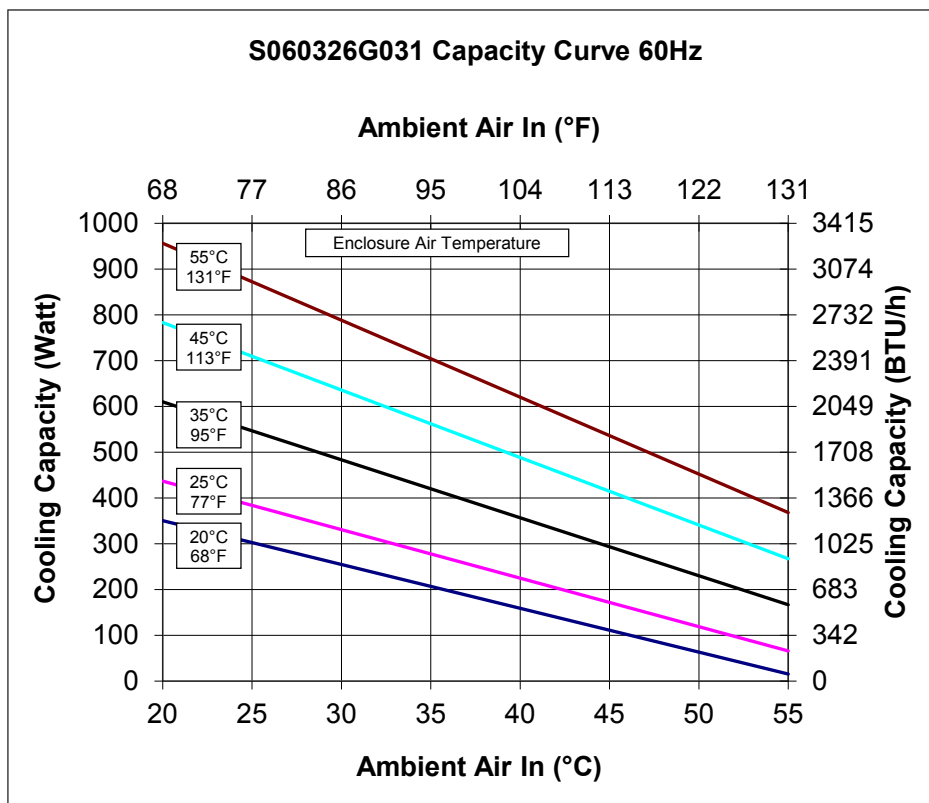
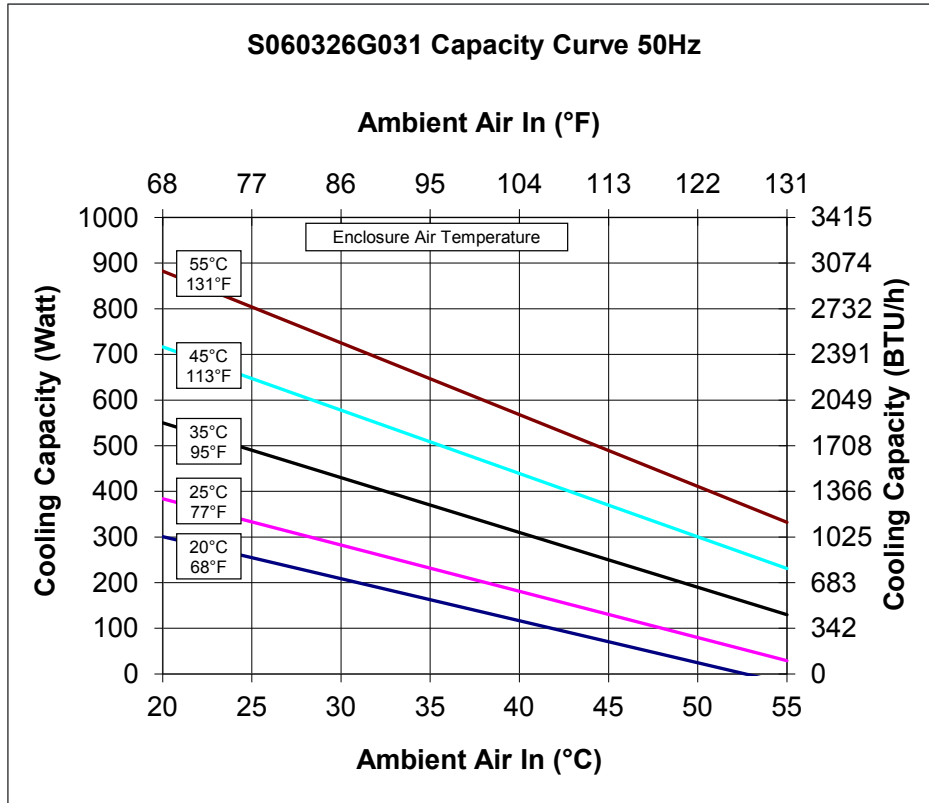
TWO MOUNTING OPTIONS: SURFACE AND FULL RECESS MOUNT

UNIT REFERENCE		300W 115V	300W 230V
MODEL NUMBER			
	Indoor Model without Comm-Board	S060316G031	S060326G031
	Indoor Model with Comm-Board	S060316G041	S060326G041
COOLING PERFORMANCE			
	Total L35 L35, 50Hz, according to DIN EN 14511 (Watt)	370	370
	Cooling Performance L35 L35 (Watt) 50/60Hz	370 / 420	370 / 420
	Cooling Performance L35 L50 (Watt) 50/60Hz	190 / 230	190 / 230
Refrigerant	Refrigerant	R134a	R134a
	Refrigerant Charge (g)	133	128
Allowable Operating Pressure	Max. allowable operating pressure (p. max.) bar	28	28
Operating Temperature Range	Min. / Max. °C	10 / 55	10 / 55
Setting Temperature Range	Min. / Max. °C	20 / 55	20 / 55
Airflow at 0 Static Pressure	Internal Loop (m³/h)	109 / 124	109 / 124
	External Loop (m³/h)	129 / 156	129 / 156
	Duty Cycle	100%	100%
ELECTRICAL DATA			
	Rated Voltage (Volt)	100 / 115	230
	Phase	1~	1~
	Frequency (Hz)	50 / 60	50 / 60
	Operating Range	+/- 10%	+/- 10%
	Max Power Consumption L35 L35 (Watt) 50/60Hz	270 / 300	300 / 320
	Max Power Consumption L35 L50 (Watt) 50/60Hz	280 / 320	330 / 350
	Max. Nominal Current (Amps)	4.0 / 3.8	1.8 / 1.7
	Starting Current (Amps)	13 / 13	6 / 6
	Pre-fuse T (Amps)	15	15
	Agency Approvals	UL-listed, cUL-listed, EAC, CE	UL-listed, cUL-listed, EAC, CE
	Power Input Description	Terminal Block	Terminal Block
PERFORMANCE FACTOR (EER), 50/60Hz, DIN EN 14511			
	Cooling Performance L35 L35 50/60Hz	1.37 / 1.40	1.23 / 1.31
	Cooling Performance L35 L50 50/60Hz	0.68 / 0.70	0.58 / 0.65
ENCLOSURE PROTECTION			
	IP Code (External Loop / Internal Loop)	IP34 / IP54	IP34 / IP54
CONTROLLER			
	Description	Smart controller with display	Smart controller with display
	Thermostat Location	Ambient side	Ambient side
	Factory Thermostat Setting (°C)	35 °C	35 °C
SOUND LEVEL			
	At 1 M (dBA)	66	66
UNIT CONSTRUCTION			
	Material	Steel	Steel
	Finish	RAL 7035	RAL 7035
UNIT DIMENSIONS			
	Height (mm)	550	550
	Width (mm)	280	280
	Depth (mm)	142	142
	Weight (kg)	13	13

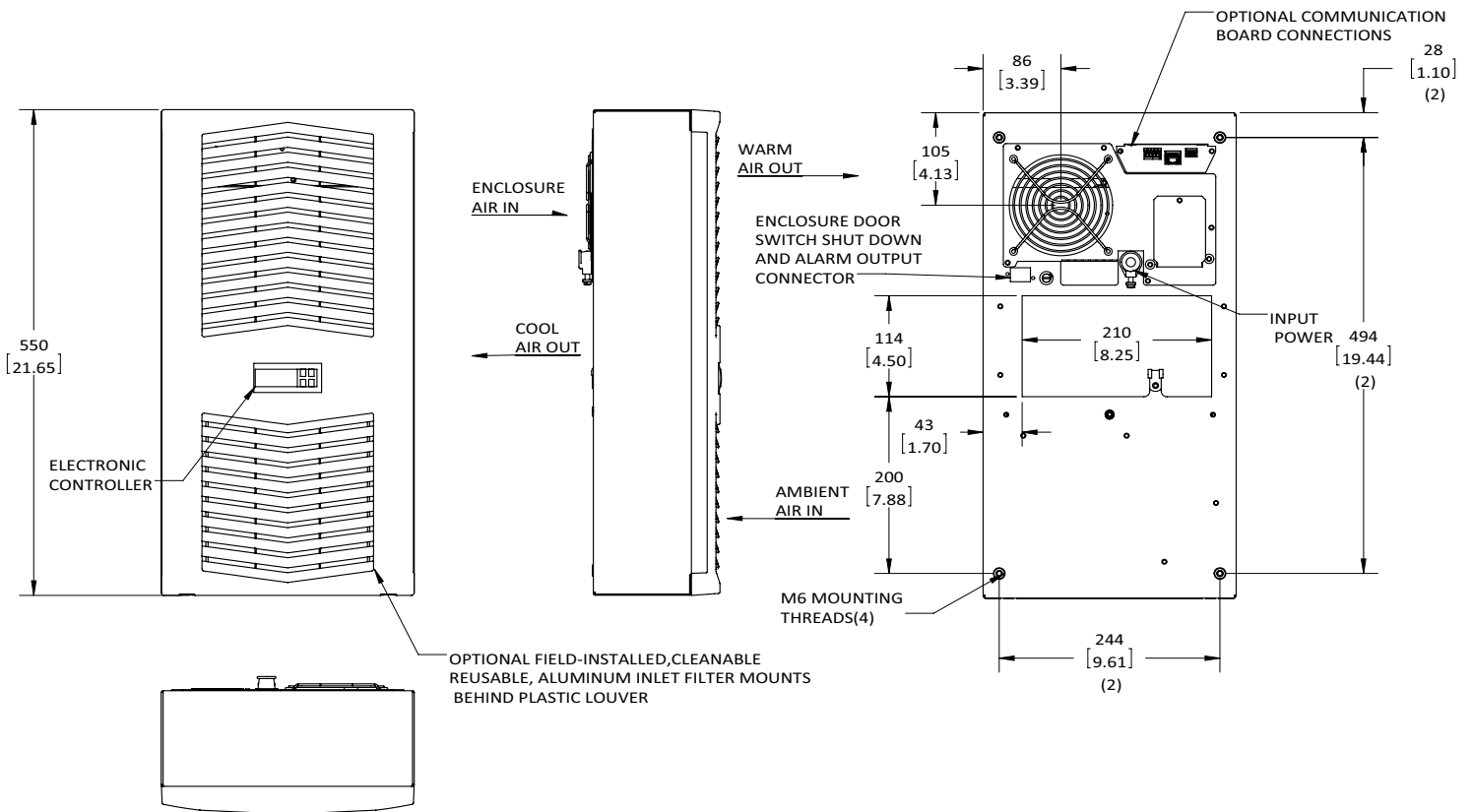
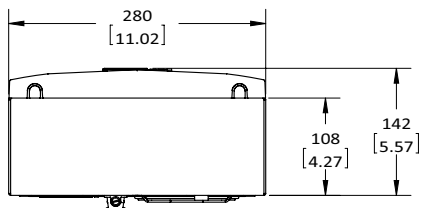
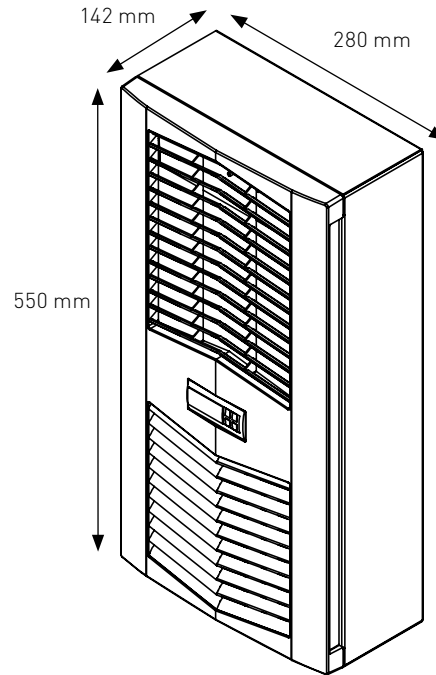
Hoffman

SPECTRACOOL SLIM FIT – 300 WATT MODEL

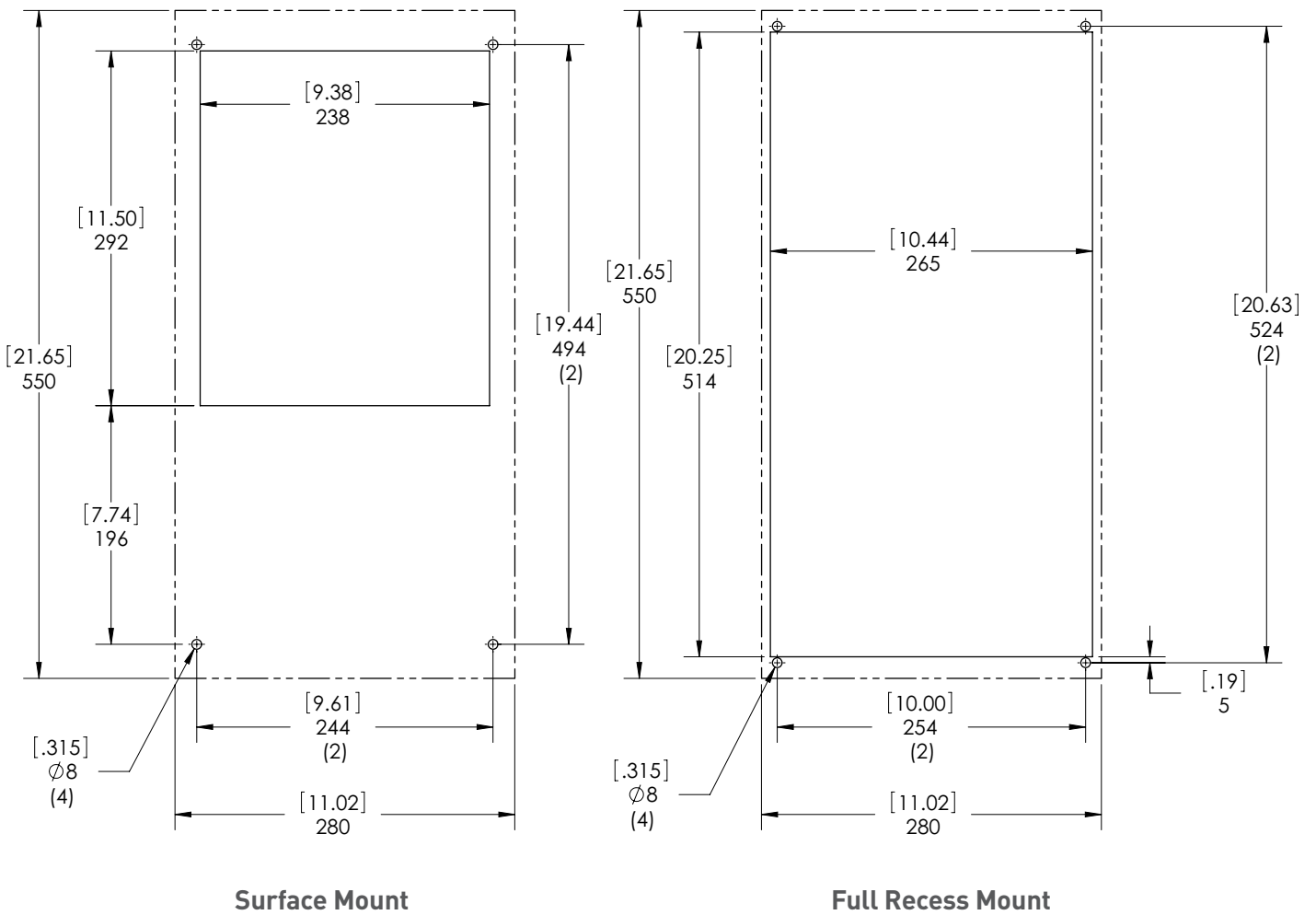
PERFORMANCE CURVES FOR 300W MODELS ACCORDING TO EN 14511



SPECTRACOOL SLIM FIT – 300 WATT MODEL



SPECTRACOOL SLIM FIT – 300 WATT MODEL



300W Cutout Drawing
Dashed Lines Represent The Air Conditioner

SPECTRACOOL SLIM FIT – 500 WATT MODEL

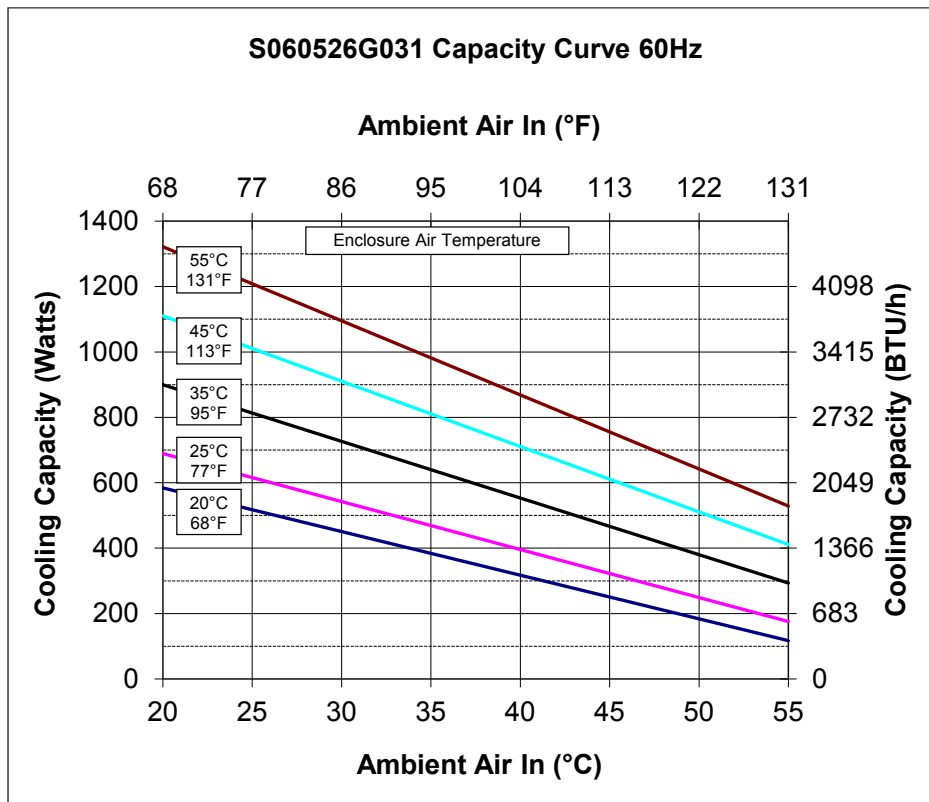
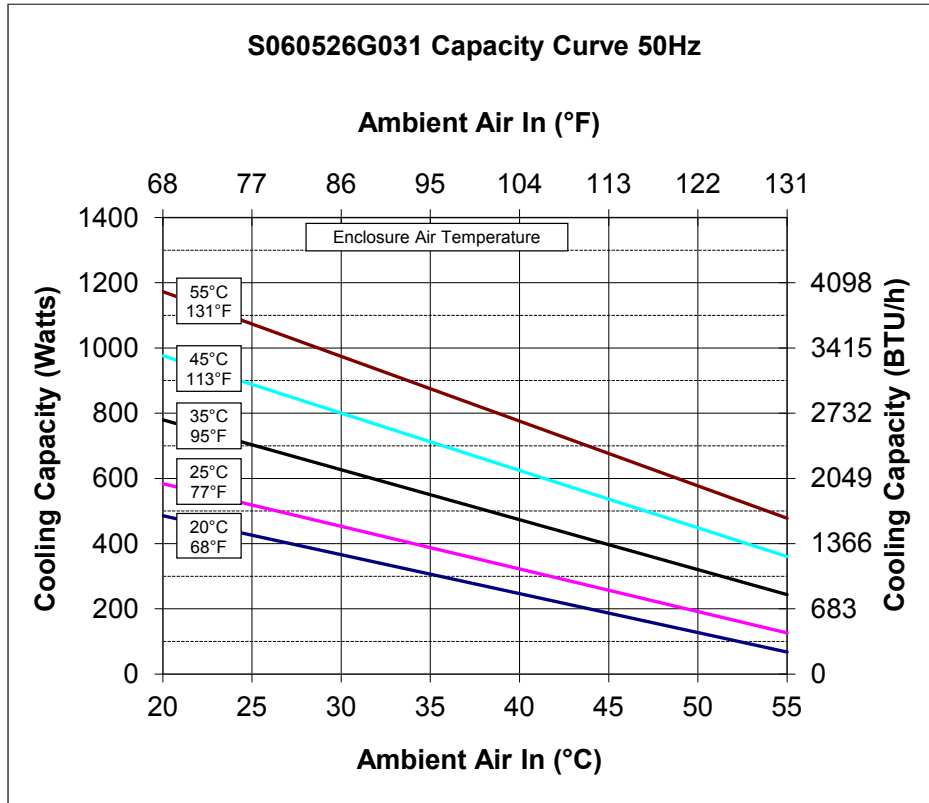
THREE MOUNTING OPTIONS

UNIT REFERENCE	500W 115V	500W 230V	
MODEL NUMBER			
Indoor Model without Comm-Board	S060516G031	S060526G031	
Indoor Model with Comm-Board	S060516G041	S060526G041	
COOLING PERFORMANCE			
	Total L35 L35, 50Hz, according to DIN EN 14511 (Watt)	550	550
	Cooling Performance L35 L35 (Watt) 50/60Hz	550 / 640	550 / 640
	Cooling Performance L35 L50 (Watt) 50/60Hz	320 / 380	320 / 380
Refrigerant	Refrigerant	R134a	R134a
	Refrigerant Charge (g)	162	162
Allowable Operating Pressure	Max. allowable operating pressure (p. max.) bar	28	28
Operating Temperature Range	Min. / Max. °C	10 / 55	10 / 55
Setting Temperature Range	Min. / Max. °C	20 / 55	20 / 55
Airflow at 0 Static Pressure	Internal Loop (m³/h)	197 / 233	197 / 233
	External Loop (m³/h)	189 / 219	189 / 219
	Duty Cycle	100%	100%
ELECTRICAL DATA			
	Rated Voltage (Volt)	115	230
	Phase	1~	1~
	Frequency (Hz)	50 / 60	50 / 60
	Operating Range	+/- 10%	+/- 10%
	Max Power Consumption L35 L35 (Watt) 50/60Hz	450 / 470	450 / 480
	Max Power Consumption L35 L50 (Watt) 50/60Hz	490 / 540	510 / 540
	Max. Nominal Current (Amps)	6.5 / 6.1	2.6 / 2.9
	Starting Current (Amps)	21 / 20	9 / 10
	Pre-fuse T (Amps)	15	15
	Agency Approvals	UL-listed, cUL-listed, EAC, CE	UL-listed, cUL-listed, EAC, CE
	Power Input Description	Terminal Block	Terminal Block
PERFORMANCE FACTOR (EER), 50/60Hz, DIN EN 14511			
	Cooling Performance L35 L35 50/60Hz	1.22 / 1.36	1.24 / 1.35
	Cooling Performance L35 L50 50/60Hz	0.64 / 0.70	0.62 / 0.70
ENCLOSURE PROTECTION			
	IP Code (External Loop / Internal Loop)	IP34 / IP54	IP34 / IP54
CONTROLLER			
	Description	Smart controller with display	Smart controller with display
	Thermostat Location	Ambient side	Ambient side
	Factory Thermostat Setting (°C)	35 °C	35 °C
SOUND LEVEL			
	At 1 M (dBA)	70	70
UNIT CONSTRUCTION			
	Material	Steel	Steel
	Finish	RAL 7035	RAL 7035
UNIT DIMENSIONS			
	Height (mm)	550	550
	Width (mm)	280	280
	Depth (mm)	199	199
	Weight (kg)	15	15

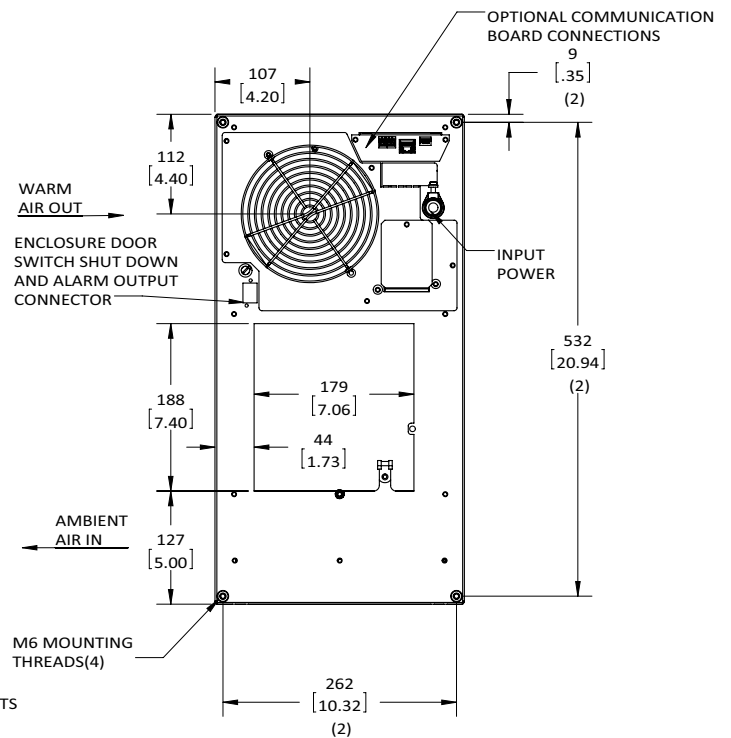
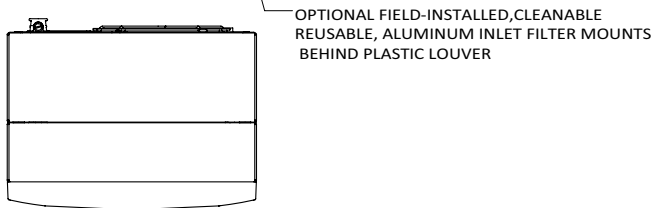
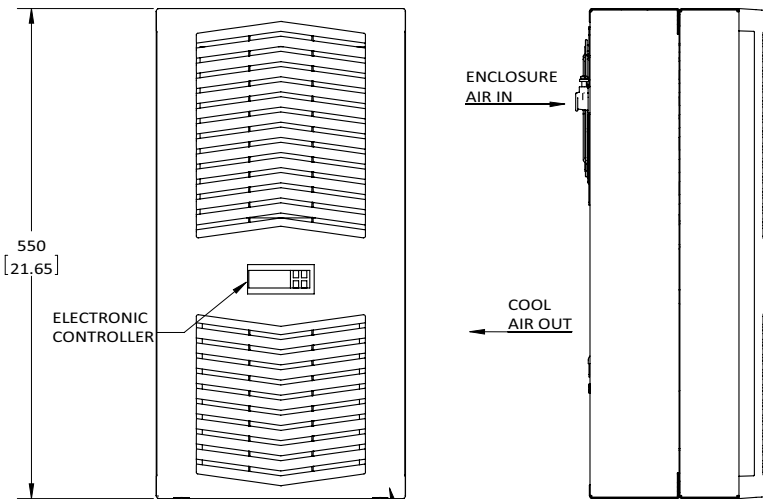
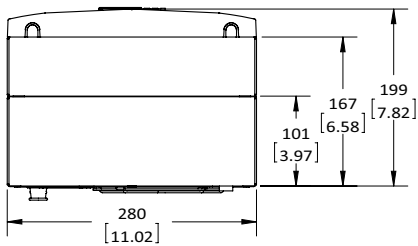
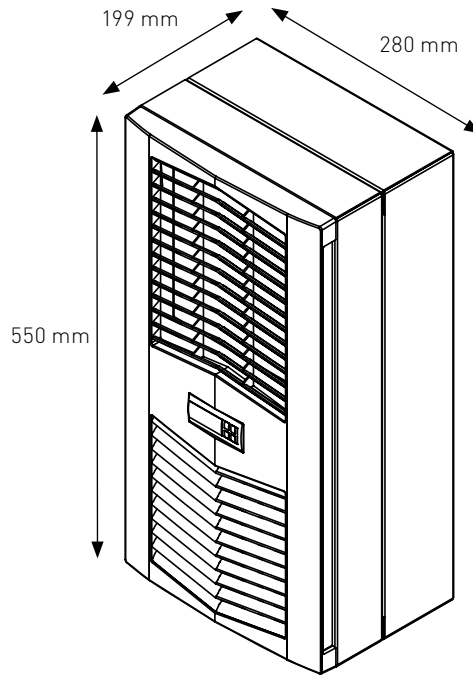
Hoffman

SPECTRACOOL SLIM FIT – 500 WATT MODEL

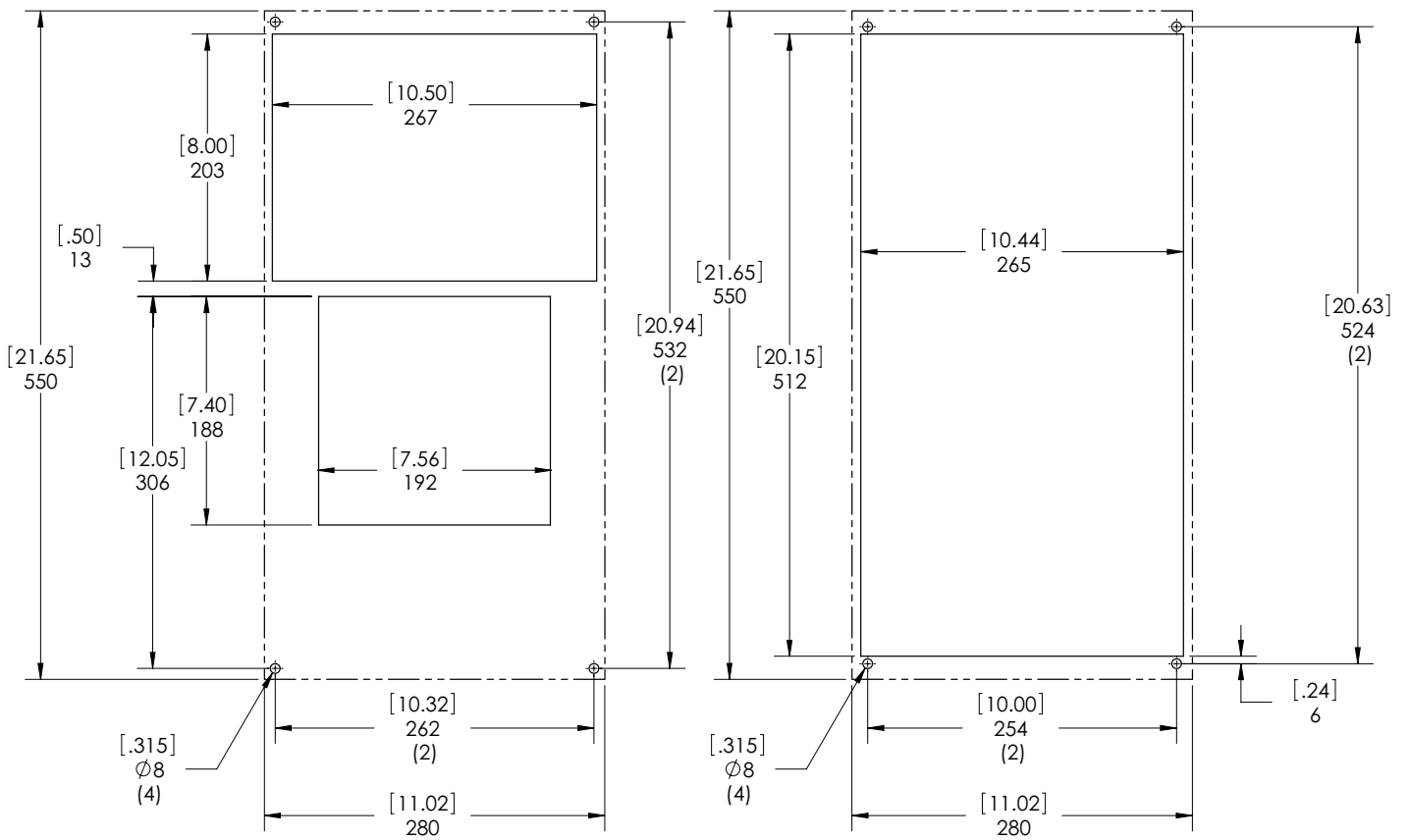
PERFORMANCE CURVES FOR 500W MODELS ACCORDING TO EN 14511



SPECTRACOOL SLIM FIT – 500 WATT MODEL



SPECTRACOOL SLIM FIT – 500 WATT MODEL



Surface Mount

Partial and Full Recess Mount

500W Cutout Drawing

Dashed Lines Represent The Air Conditioner

SPECTRACOOL SLIM FIT – 1000 WATT MODEL

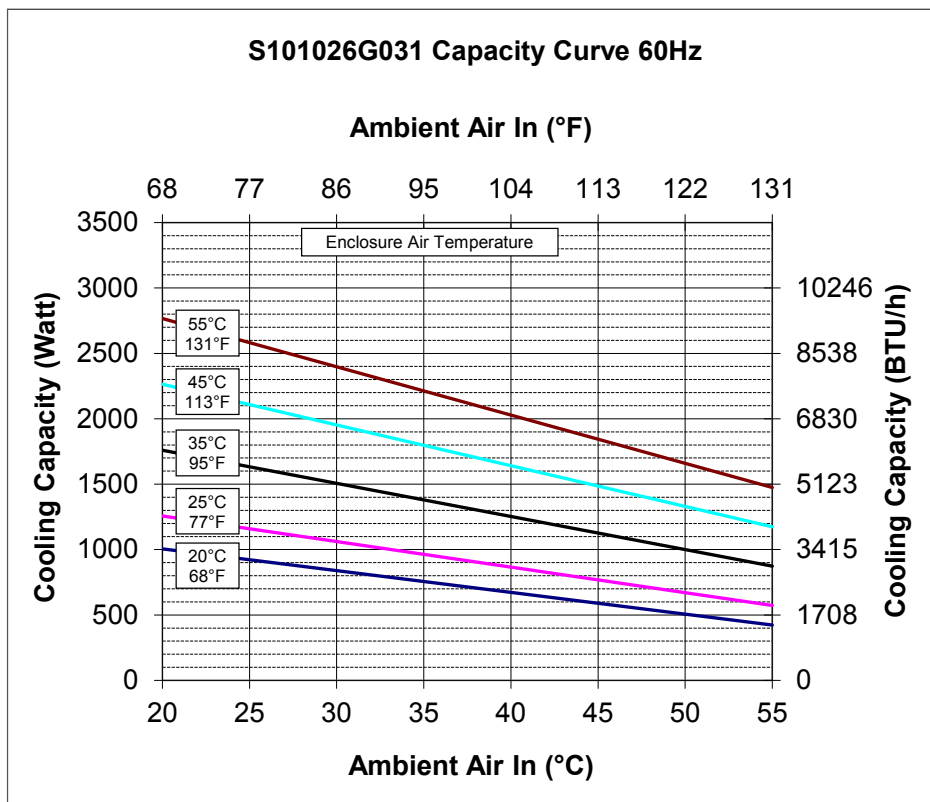
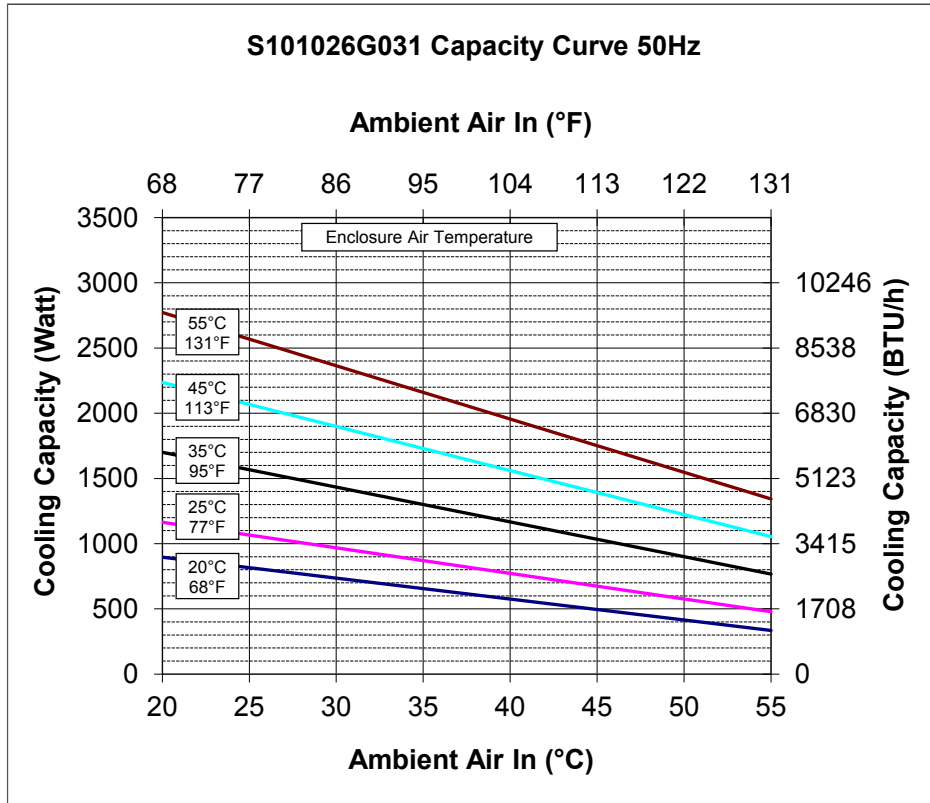
THREE MOUNTING OPTIONS

UNIT REFERENCE		1000W 115V	1000W 230V	1000W 400/460V 1~
MODEL NUMBER				
	Indoor Model without Comm-Board	S101016G031	S101026G031	S101046G031
	Indoor Model with Comm-Board	S101016G041	S101026G041	S101046G041
COOLING PERFORMANCE				
	Total L35 L35, 50Hz, according to DIN EN 14511 (Watt)	1300	1300	1300
	Cooling Performance L35 L35 (Watt) 50/60Hz	1300 / 1380	1300 / 1380	1300 / 1380
	Cooling Performance L35 L50 (Watt) 50/60Hz	900 / 1000	900 / 1000	900 / 1000
Refrigerant	Refrigerant	R134a	R134a	R134a
	Refrigerant Charge (g)	425	283	283
Allowable Operating Pressure	Max. allowable operating pressure (p. max.) bar	28	28	28
Operating Temperature Range	Min. / Max. °C	10 / 55	10 / 55	10 / 55
Setting Temperature Range	Min. / Max. °C	20 / 55	20 / 55	20 / 55
Airflow at 0 Static Pressure	Internal Loop (m³/h)	350 / 391	350 / 391	350 / 391
	External Loop (m³/h)	567 / 584	567 / 584	567 / 584
	Duty Cycle	100%	100%	100%
ELECTRICAL DATA				
	Rated Voltage (Volt)	115	230	400 / 460
	Phase	1~	1~	1~
	Frequency (Hz)	50 / 60	50 / 60	50 / 60
	Operating Range	+/- 10%	+/- 10%	+/- 10%
	Max Power Consumption L35 L35 (Watt) 50/60Hz	810 / 1010	670 / 800	750 / 960
	Max Power Consumption L35 L50 (Watt) 50/60Hz	950 / 1120	780 / 950	870 / 1090
	Max. Nominal Current (Amps)	9.6 / 10.2	4.1 / 5.5	2.1 / 2.4
	Starting Current (Amps)	32 / 34	14 / 18	7 / 8
	Pre-fuse T (Amps)	15	15	15
	Agency Approvals	UL-listed, cUL-listed, EAC, CE	UL-listed, cUL-listed, EAC, CE	UL-listed, cUL-listed, EAC, CE
	Power Input Description	Terminal Block	Terminal Block	Terminal Block
PERFORMANCE FACTOR (EER), 50/60Hz, DIN EN 14511				
	Cooling Performance L35 L35 50/60Hz	1.60 / 1.37	1.94 / 1.73	1.73 / 1.44
	Cooling Performance L35 L50 50/60Hz	0.95 / 0.89	1.15 / 1.05	1.03 / 0.92
ENCLOSURE PROTECTION				
	IP Code (External Loop / Internal Loop)	IP34 / IP54	IP34 / IP54	IP34 / IP54
CONTROLLER				
	Description	Smart controller with display	Smart controller with display	Smart controller with display
	Thermostat Location	Ambient side	Ambient side	Ambient side
	Factory Thermostat Setting (°C)	35 °C	35 °C	35 °C
SOUND LEVEL				
	At 1 M (dBA)	71	71	71
UNIT CONSTRUCTION				
	Material	Steel	Steel	Steel
	Finish	RAL 7035	RAL 7035	RAL 7035
UNIT DIMENSIONS				
	Height (mm)	951	951	951
	Width (mm)	400	400	400
	Depth (mm)	260	260	260
	Weight (kg)	39	39	45

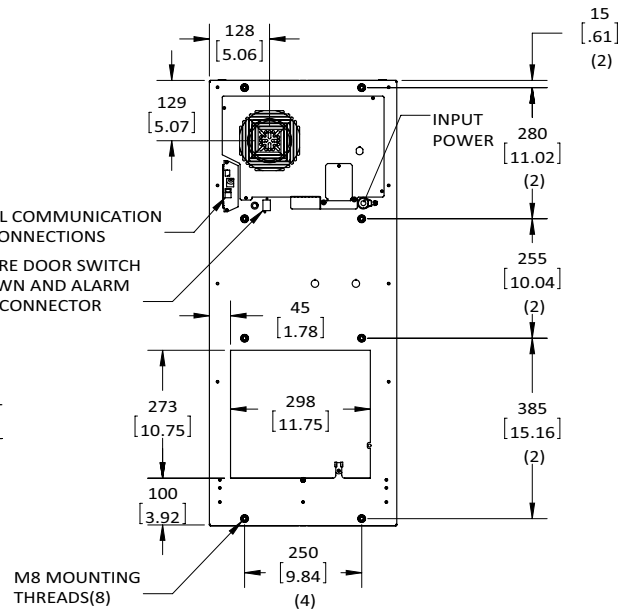
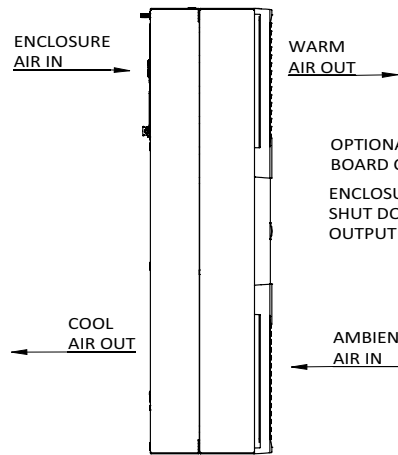
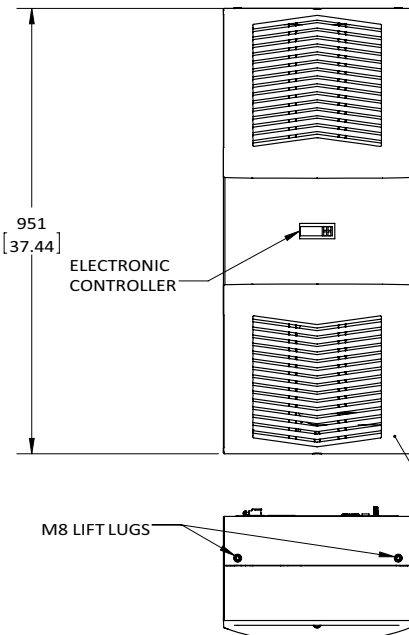
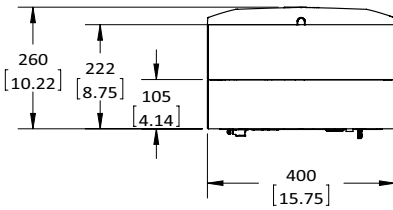
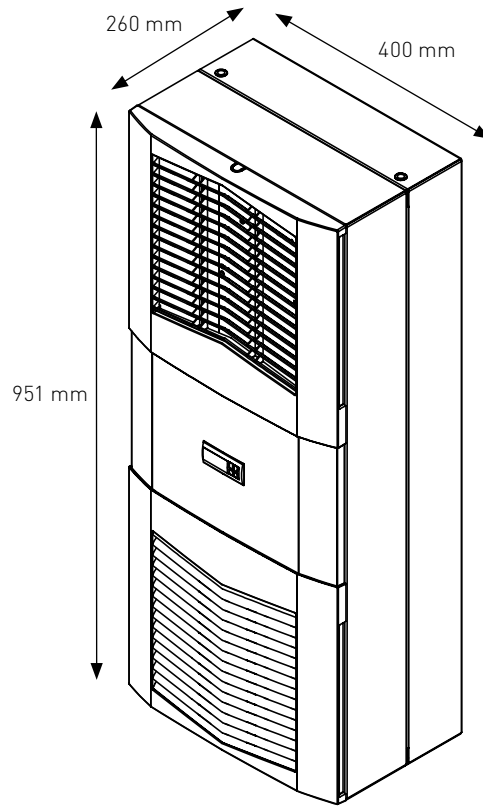
Hoffman

SPECTRACOOL SLIM FIT – 1000 WATT MODEL

PERFORMANCE CURVES FOR 1000W MODELS ACCORDING TO EN 14511



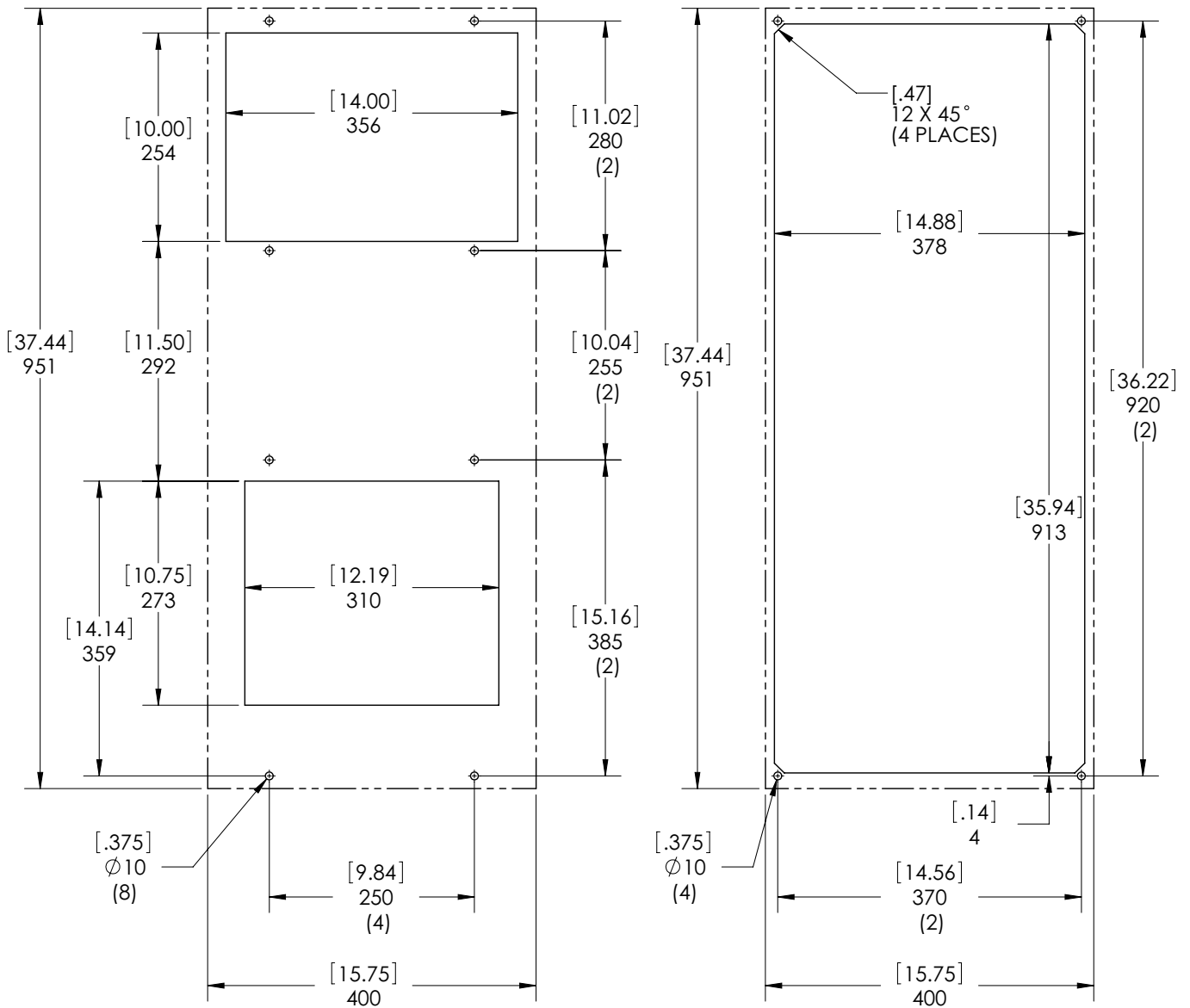
SPECTRACOOL SLIM FIT – 1000 WATT MODEL



OPTIONAL, FIELD-INSTALLED, CLEANABLE REUSABLE, ALUMINUM INLET FILTER MOUNTS BEHIND PLASTIC LOUVER



SPECTRACOOL SLIM FIT – 1000 WATT MODEL



Surface Mount

Partial and Full Recess Mount

1000W Cutout Drawing

Dashed Lines Represent The Air Conditioner

SPECTRACOO SLIM FIT – 1500 WATT MODEL

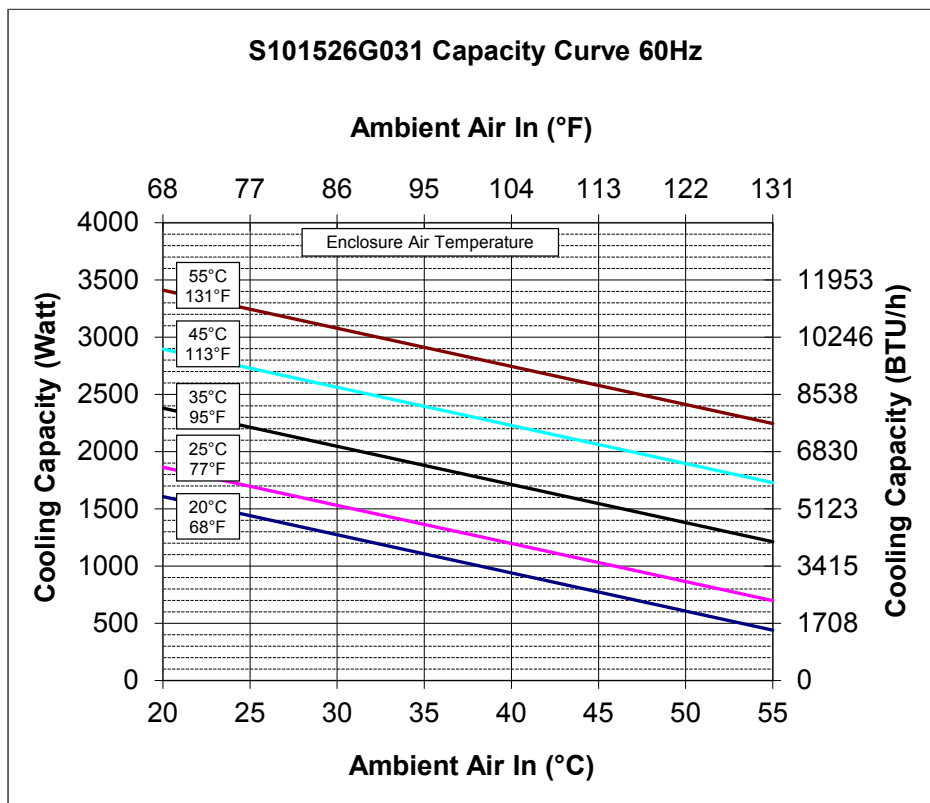
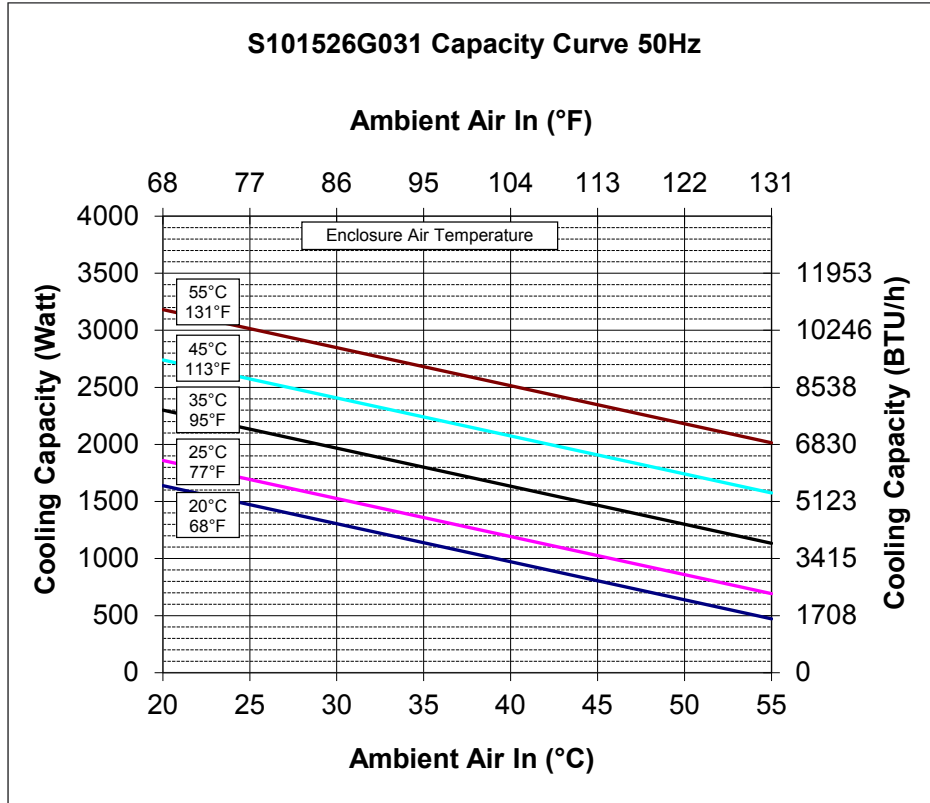
THREE MOUNTING OPTIONS

UNIT REFERENCE		1500W 115V	1500W 230V	1500W 400/460V 3~
MODEL NUMBER				
	Indoor Model without Comm-Board	S101516G031	S101526G031	S101546G031
	Indoor Model with Comm-Board	S101516G041	S101526G041	S101546G041
COOLING PERFORMANCE				
	Total L35 L35, 50Hz, according to DIN EN 14511 (Watt)	1800	1800	1800
	Cooling Performance L35 L35 (Watt) 50/60Hz	1800 / 1880	1800 / 1880	1800 / 1880
	Cooling Performance L35 L50 (Watt) 50/60Hz	1300 / 1380	1300 / 1380	1300 / 1380
Refrigerant	Refrigerant	R134a	R134a	R134a
	Refrigerant Charge (g)	425	425	510
Allowable Operating Pressure	Max. allowable operating pressure (p. max.) bar	28	28	28
Operating Temperature Range	Min. / Max. °C	10 / 55	10 / 55	10 / 55
Setting Temperature Range	Min. / Max. °C	20 / 55	20 / 55	20 / 55
Airflow at 0 Static Pressure	Internal Loop (m³/h)	342 / 391	342 / 391	342 / 391
	External Loop (m³/h)	576 / 579	576 / 579	576 / 579
	Duty Cycle	100%	100%	100%
ELECTRICAL DATA				
	Rated Voltage (Volt)	115	230	400 / 460
	Phase	1~	1~	3~
	Frequency (Hz)	50 / 60	50 / 60	50 / 60
	Operating Range	+/- 10%	+/- 10%	+/- 10%
	Max Power Consumption L35 L35 (Watt) 50/60Hz	850 / 1040	850 / 1040	930 / 1130
	Max Power Consumption L35 L50 (Watt) 50/60Hz	990 / 1160	960 / 1170	970 / 1210
	Max. Nominal Current (Amps)	9.6 / 10.2	5.1 / 6.7	2.1 / 2.4
	Starting Current (Amps)	32 / 34	17 / 22	7 / 8
	Pre-fuse T (Amps)	15	15	15
	Agency Approvals	UL-listed, cUL-listed, EAC, CE	UL-listed, cUL-listed, EAC, CE	UL-listed, cUL-listed, EAC, CE
	Power Input Description	Terminal Block	Terminal Block	Terminal Block
PERFORMANCE FACTOR (EER), 50/60Hz, DIN EN 14511				
	Cooling Performance L35 L35 50/60Hz	2.12 / 1.81	2.12 / 1.81	1.94 / 1.66
	Cooling Performance L35 L50 50/60Hz	1.31 / 1.19	1.35 / 1.18	1.34 / 1.14
ENCLOSURE PROTECTION				
	IP Code (External Loop / Internal Loop)	IP34 / IP54	IP34 / IP54	IP34 / IP54
CONTROLLER				
	Description	Smart controller with display	Smart controller with display	Smart controller with display
	Thermostat Location	Ambient side	Ambient side	Ambient side
	Factory Thermostat Setting (°C)	35 °C	35 °C	35 °C
SOUND LEVEL				
	At 1 M (dBA)	73	73	73
UNIT CONSTRUCTION				
	Material	Steel	Steel	Steel
	Finish	RAL 7035	RAL 7035	RAL 7035
UNIT DIMENSIONS				
	Height (mm)	951	951	951
	Width (mm)	400	400	400
	Depth (mm)	260	260	260
	Weight (kg)	43	43	43

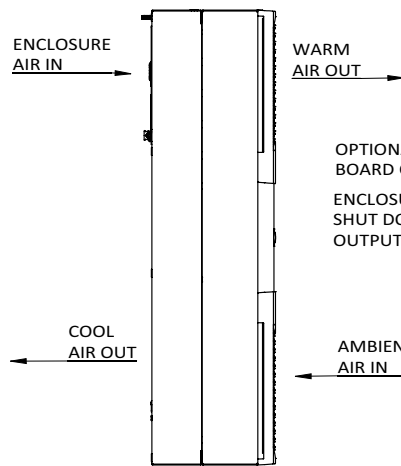
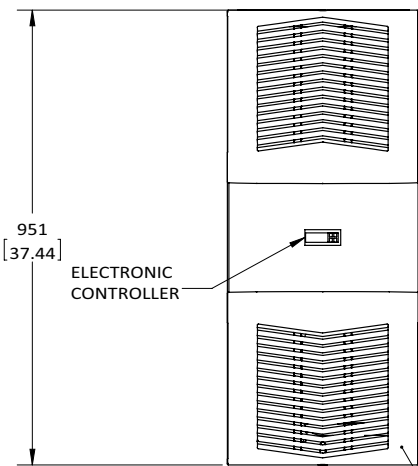
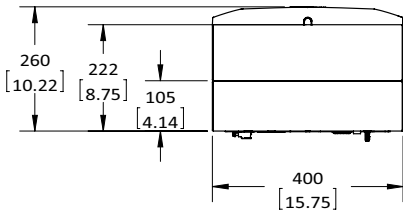
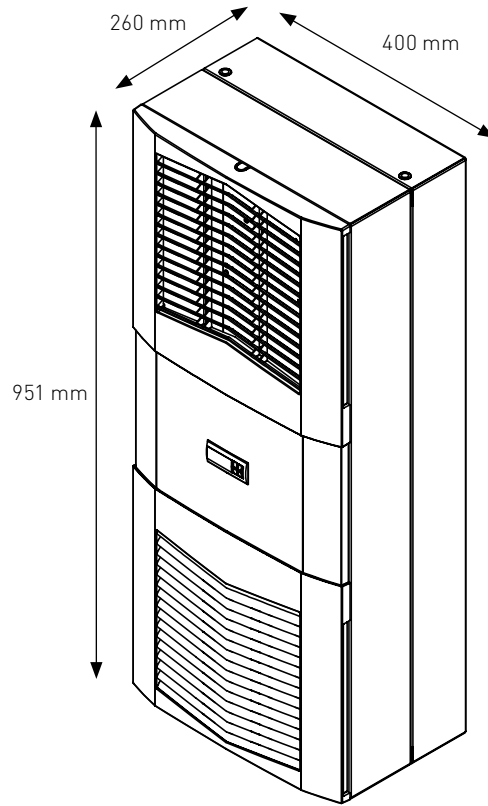
Hoffman

SPECTRACOOL SLIM FIT – 1500 WATT MODEL

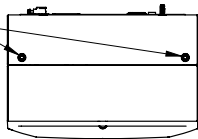
PERFORMANCE CURVES FOR 1500W MODELS ACCORDING TO EN 14511



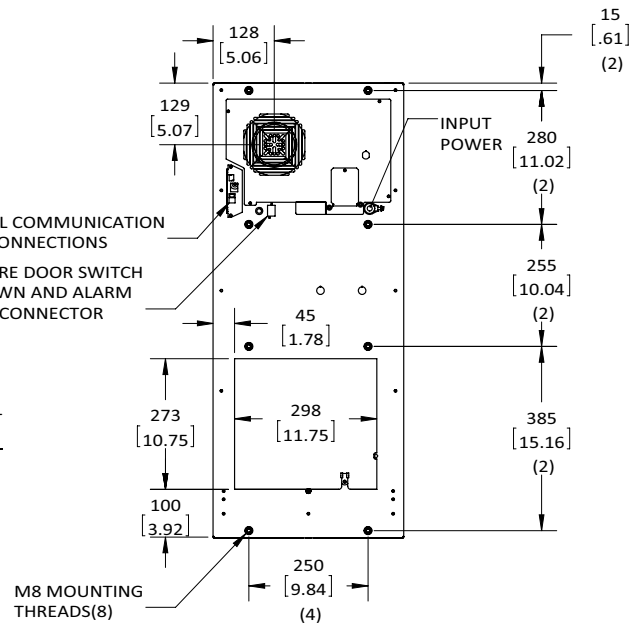
SPECTRACOOL SLIM FIT – 1500 WATT MODEL



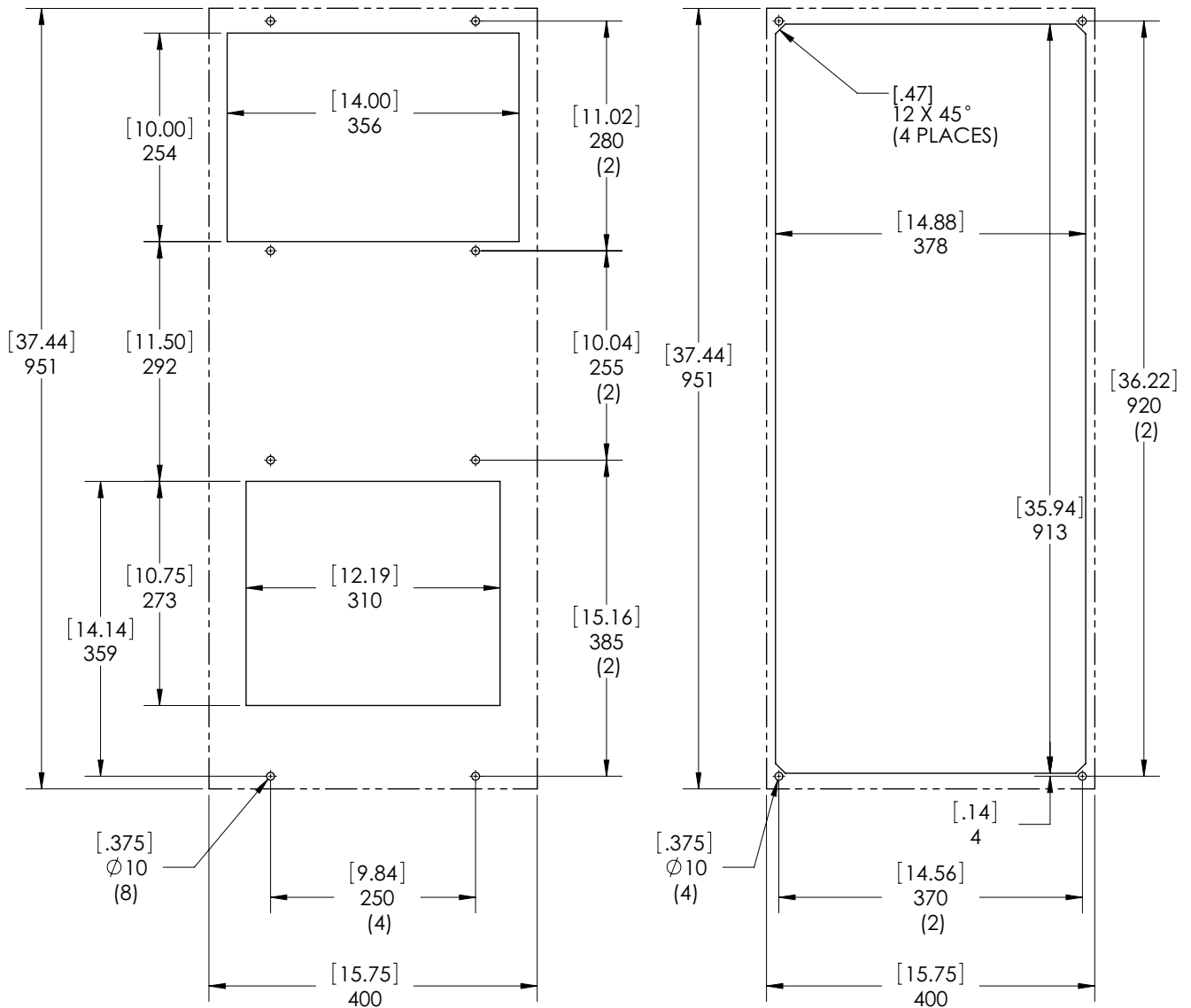
M8 LIFT LUGS



OPTIONAL, FIELD-INSTALLED, CLEANABLE REUSABLE, ALUMINUM INLET FILTER MOUNTS BEHIND PLASTIC LOUVER



SPECTRACOOL SLIM FIT – 1500 WATT MODEL



Surface Mount

Partial and Full Recess Mount

1500W Cutout Drawing

Dashed Lines Represent The Air Conditioner

SPECTRACOOL SLIM FIT – 2000 WATT MODEL

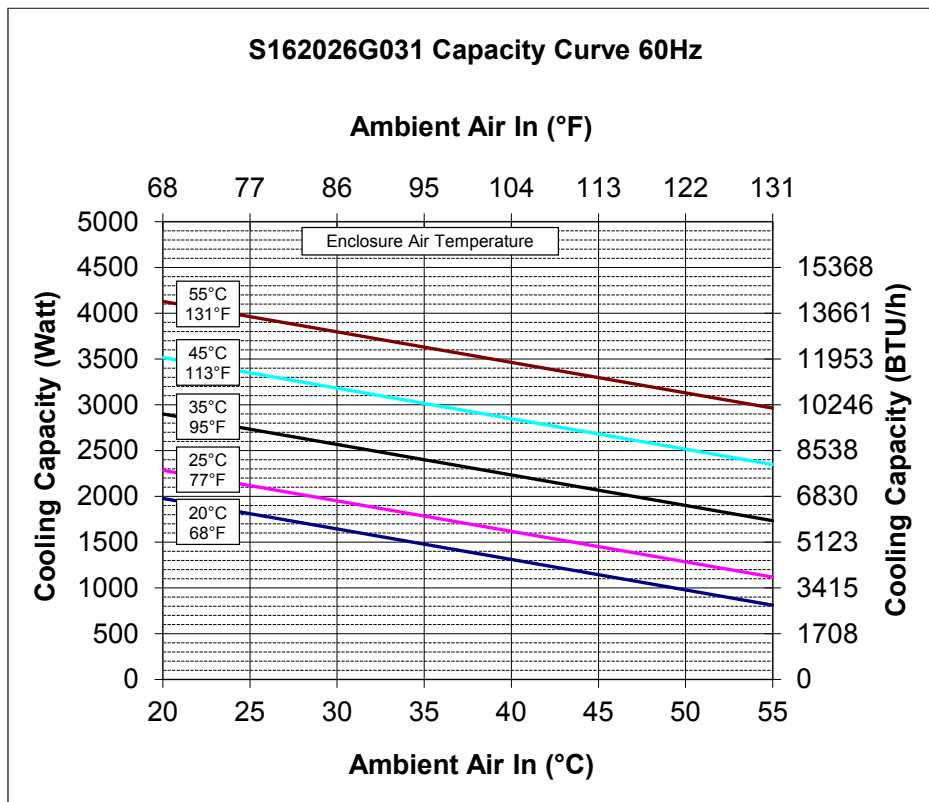
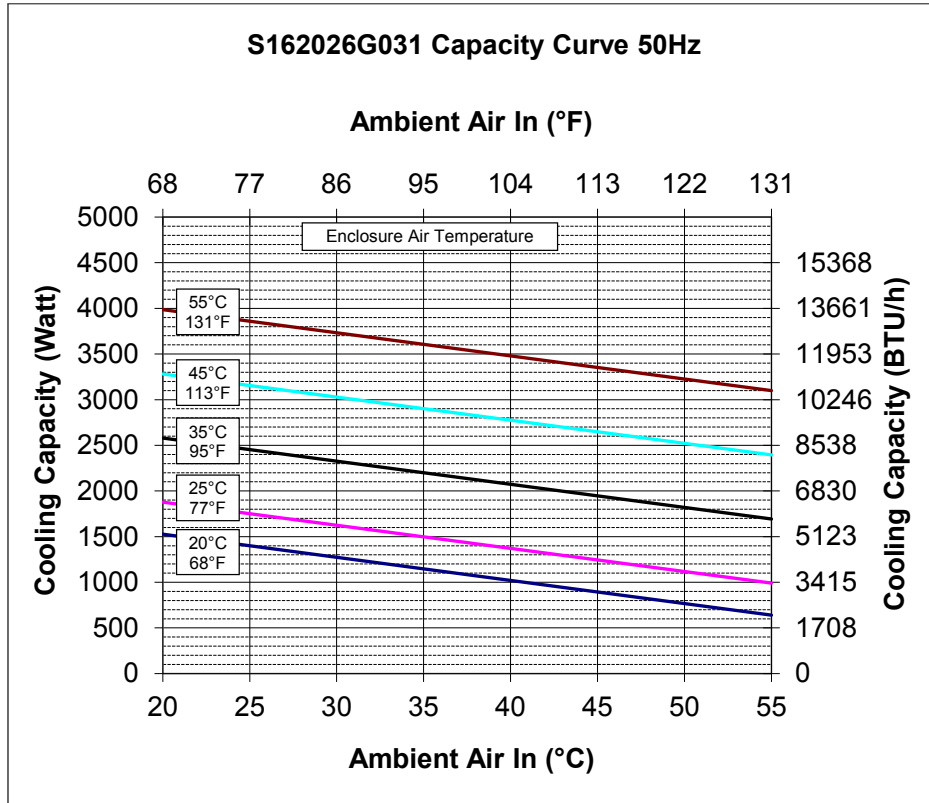
THREE MOUNTING OPTIONS

UNIT REFERENCE		2000W 115V	2000W 230V	2000W 400/460V 3~
MODEL NUMBER				
	Indoor Model without Comm-Board	S162016G031	S162026G031	S162046G031
	Indoor Model with Comm-Board	S162016G041	S162026G041	S162046G041
COOLING PERFORMANCE				
	Total L35 L35, 50Hz, according to DIN EN 14511 (Watt)	2200	2200	2200
	Cooling Performance L35 L35 (Watt) 50/60Hz	2200 / 2400	2200 / 2400	2200 / 2400
	Cooling Performance L35 L50 (Watt) 50/60Hz	1820 / 1900	1820 / 1900	1820 / 1900
Refrigerant	Refrigerant	R134a	R134a	R134a
	Refrigerant Charge (g)	709	709	709
Allowable Operating Pressure	Max. allowable operating pressure (p. max.) bar	28	28	28
Operating Temperature Range	Min. / Max. °C	10 / 55	10 / 55	10 / 55
Setting Temperature Range	Min. / Max. °C	20 / 55	20 / 55	20 / 55
Airflow at 0 Static Pressure	Internal Loop (m³/h)	454 / 484	454 / 484	454 / 484
	External Loop (m³/h)	634 / 654	634 / 654	634 / 654
	Duty Cycle	100%	100%	100%
ELECTRICAL DATA				
	Rated Voltage (Volt)	115	230	400 / 460
	Phase	1~	1~	3~
	Frequency (Hz)	50 / 60	50 / 60	50 / 60
	Operating Range	+/- 10%	+/- 10%	+/- 10%
	Max Power Consumption L35 L35 (Watt) 50/60Hz	930 / 1090	940 / 1140	900 / 1180
	Max Power Consumption L35 L50 (Watt) 50/60Hz	1280 / 1410	1070 / 1320	1060 / 1340
	Max. Nominal Current (Amps)	11.1 / 12.5	5.7 / 7.2	2.2 / 2.6
	Starting Current (Amps)	37 / 41	19 / 24	7 / 9
	Pre-fuse T (Amps)	15	15	15
	Agency Approvals	UL-listed, cUL-listed, EAC, CE	UL-listed, cUL-listed, EAC, CE	UL-listed, cUL-listed, EAC, CE
	Power Input Description	Terminal Block	Terminal Block	Terminal Block
PERFORMANCE FACTOR (EER), 50/60Hz, DIN EN 14511				
	Cooling Performance L35 L35 50/60Hz	2.37 / 2.20	2.34 / 2.11	2.44 / 2.03
	Cooling Performance L35 L50 50/60Hz	1.42 / 1.35	1.70 / 1.44	1.72 / 1.42
ENCLOSURE PROTECTION				
	IP Code (External Loop / Internal Loop)	IP34 / IP54	IP34 / IP54	IP34 / IP54
CONTROLLER				
	Description	Smart controller with display	Smart controller with display	Smart controller with display
	Thermostat Location	Ambient side	Ambient side	Ambient side
	Factory Thermostat Setting (°C)	35 °C	35 °C	35 °C
SOUND LEVEL				
	At 1 M (dBA)	70	70	70
UNIT CONSTRUCTION				
	Material	Steel	Steel	Steel
	Finish	RAL 7035	RAL 7035	RAL 7035
UNIT DIMENSIONS				
	Height (mm)	1580	1580	1580
	Width (mm)	400	400	400
	Depth (mm)	295	295	295
	Weight (kg)	68	68	68

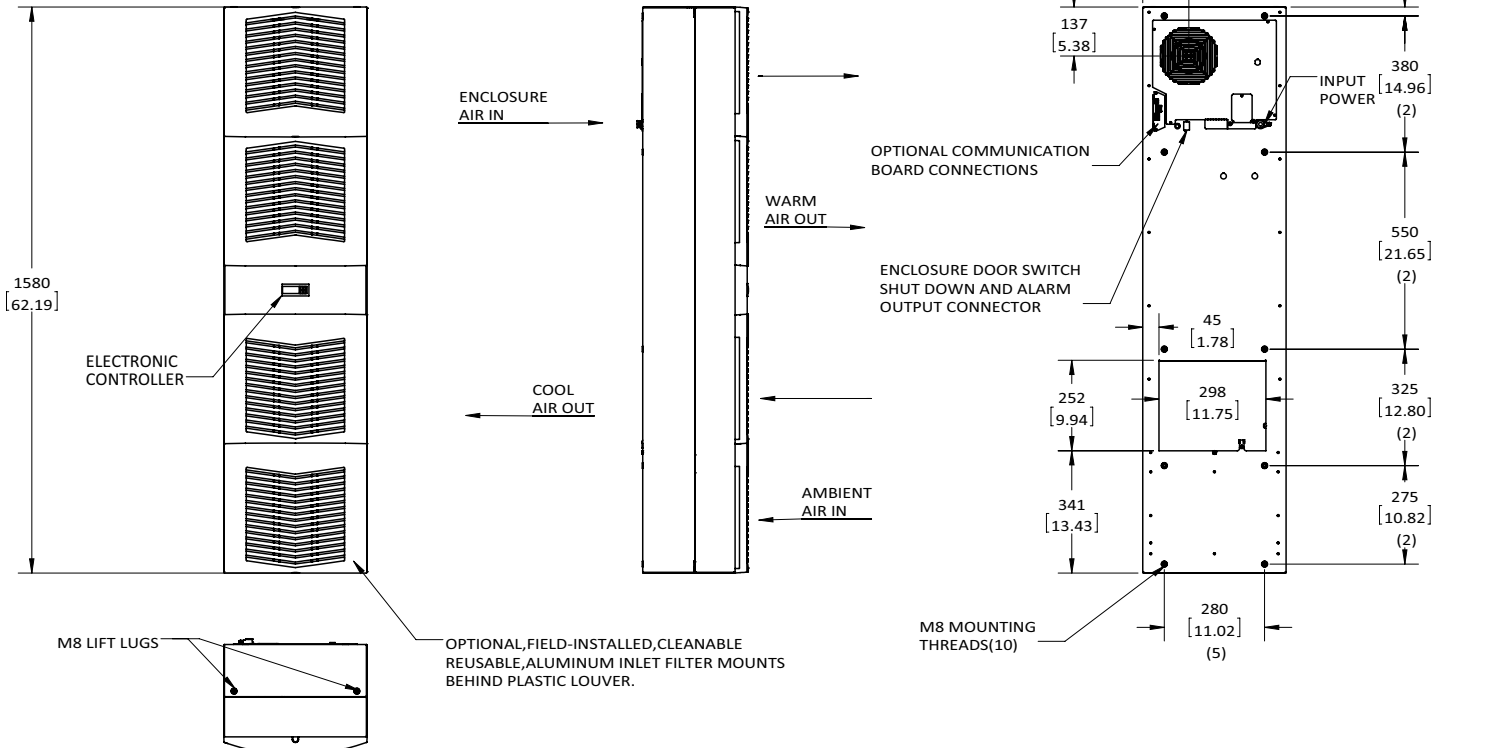
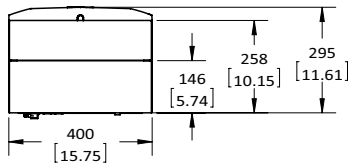
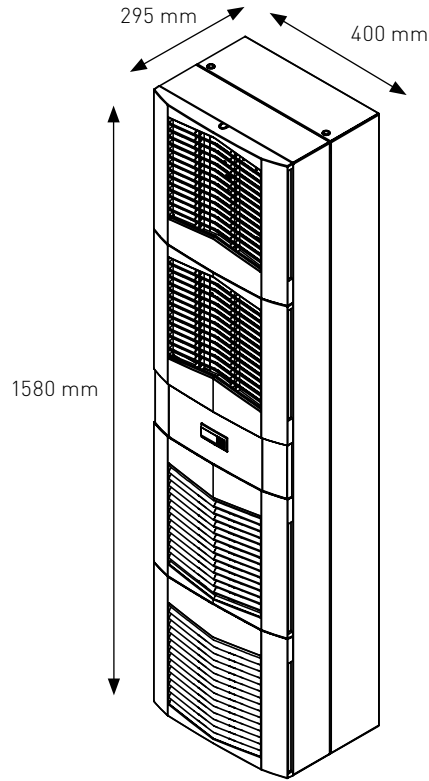
Hoffman

SPECTRACOOL SLIM FIT – 2000 WATT MODEL

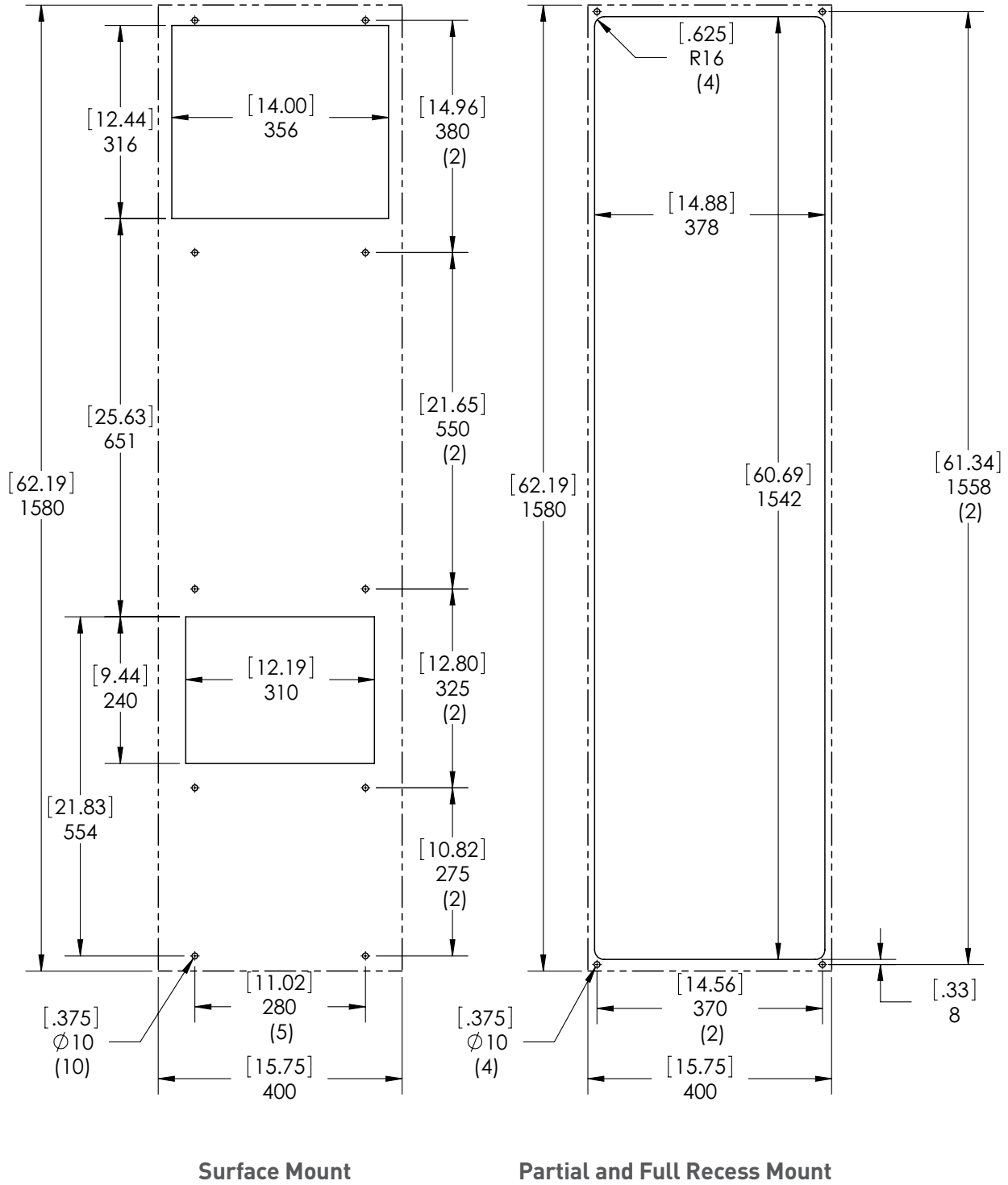
PERFORMANCE CURVES FOR 2000W MODELS ACCORDING TO EN 14511



SPECTRACOOL SLIM FIT – 2000 WATT MODEL



SPECTRACOOL SLIM FIT – 2000 WATT MODEL



2000W Cutout Drawing
Dashed Lines Represent The Air Conditioner

SPECTRACOOOL SLIM FIT – 2500 WATT MODEL

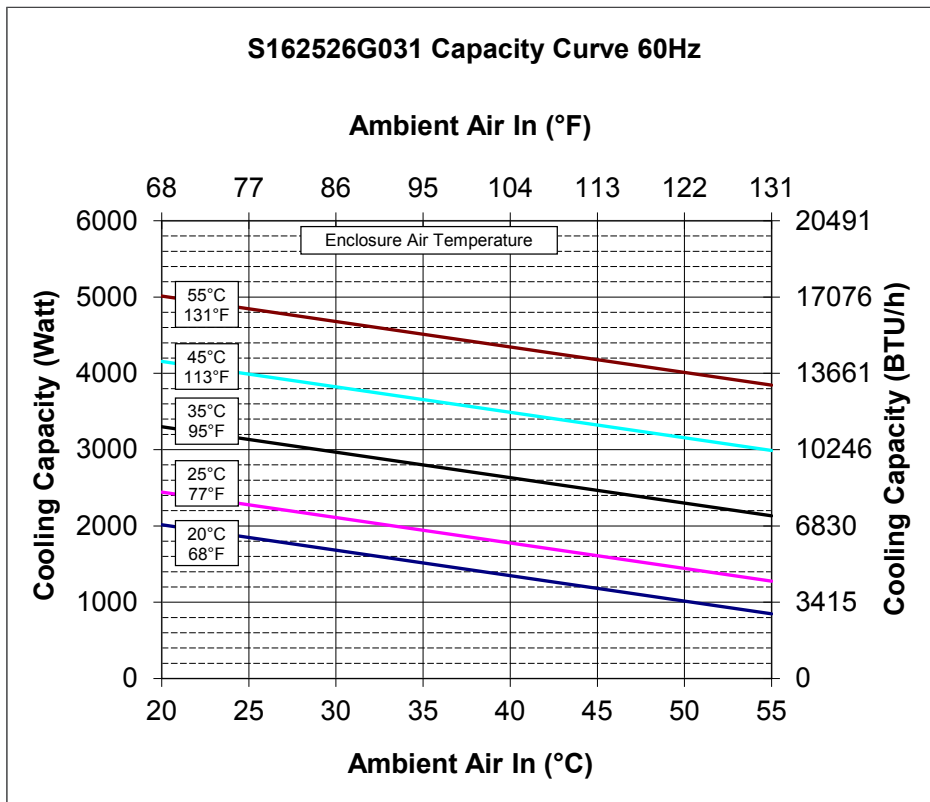
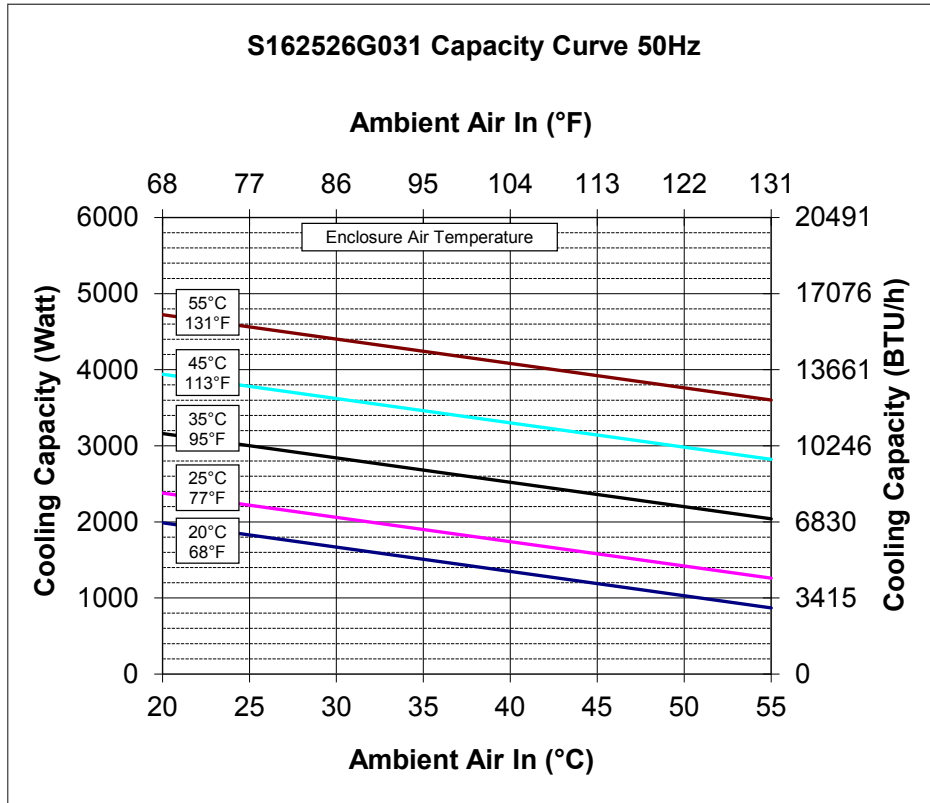
THREE MOUNTING OPTIONS

UNIT REFERENCE	2500W 115V	2500W 230V	2500W 400/460V 3~	
MODEL NUMBER				
Indoor Model without Comm-Board	S162516G031	S162526G031	S162546G031	
Indoor Model with Comm-Board	S162516G041	S162526G041	S162546G041	
COOLING PERFORMANCE				
	Total L35 L35, 50Hz, according to DIN EN 14511 (Watt)	2680	2680	2680
	Cooling Performance L35 L35 (Watt) 50/60Hz	2680 / 2800	2680 / 2800	2680 / 2800
	Cooling Performance L35 L50 (Watt) 50/60Hz	2200 / 2300	2200 / 2300	2200 / 2300
Refrigerant	Refrigerant	R134a	R134a	R134a
	Refrigerant Charge (g)	737	737	850
Allowable Operating Pressure	Max. allowable operating pressure (p. max.) bar	28	28	28
Operating Temperature Range	Min. / Max. °C	10 / 55	10 / 55	10 / 55
Setting Temperature Range	Min. / Max. °C	20 / 55	20 / 55	20 / 55
Airflow at 0 Static Pressure	Internal Loop (m³/h)	447 / 466	447 / 466	447 / 466
	External Loop (m³/h)	1104 / 1143	1104 / 1143	1104 / 1143
	Duty Cycle	100%	100%	100%
ELECTRICAL DATA				
	Rated Voltage (Volt)	115	230	400 / 460
	Phase	1~	1~	3~
	Frequency (Hz)	50 / 60	50 / 60	50 / 60
	Operating Range	+/- 10%	+/- 10%	+/- 10%
	Max Power Consumption L35 L35 (Watt) 50/60Hz	1230 / 1420	1320 / 1650	1150 / 1510
	Max Power Consumption L35 L50 (Watt) 50/60Hz	1500 / 1970	1500 / 1910	1330 / 1770
	Max. Nominal Current (Amps)	16.1 / 16.9	8.0 / 10.1	3.2 / 3.4
	Starting Current (Amps)	53 / 56	26 / 33	11 / 11
	Pre-fuse T (Amps)	20	15	15
	Agency Approvals	UL-listed, cUL-listed, EAC, CE	UL-listed, cUL-listed, EAC, CE	UL-listed, cUL-listed, EAC, CE
	Power Input Description	Terminal Block	Terminal Block	Terminal Block
PERFORMANCE FACTOR (EER), 50/60Hz, DIN EN 14511				
	Cooling Performance L35 L35 50/60Hz	2.18 / 1.97	2.03 / 1.70	2.33 / 1.85
	Cooling Performance L35 L50 50/60Hz	1.47 / 1.17	1.47 / 1.20	1.65 / 1.30
ENCLOSURE PROTECTION				
	IP Code (External Loop / Internal Loop)	IP34 / IP54	IP34 / IP54	IP34 / IP54
CONTROLLER				
	Description	Smart controller with display	Smart controller with display	Smart controller with display
	Thermostat Location	Ambient side	Ambient side	Ambient side
	Factory Thermostat Setting (°C)	35 °C	35 °C	35 °C
SOUND LEVEL				
	At 1 M (dBA)	72	72	72
UNIT CONSTRUCTION				
	Material	Steel	Steel	Steel
	Finish	RAL 7035	RAL 7035	RAL 7035
UNIT DIMENSIONS				
	Height (mm)	1580	1580	1580
	Width (mm)	400	400	400
	Depth (mm)	295	295	295
	Weight (kg)	70	70	70

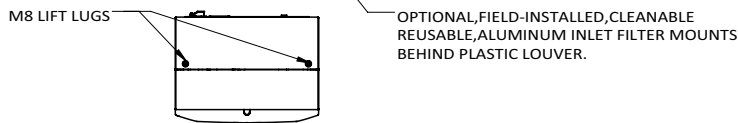
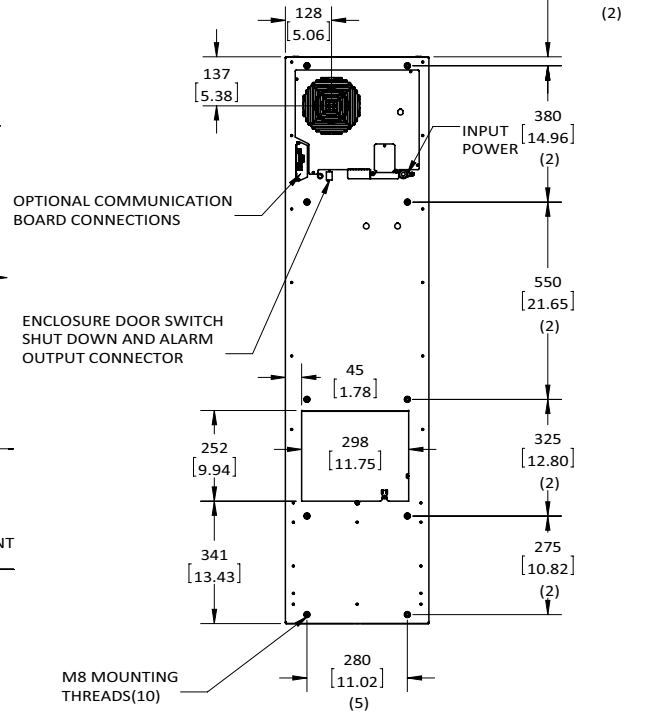
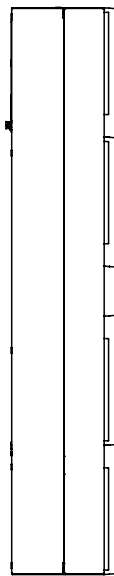
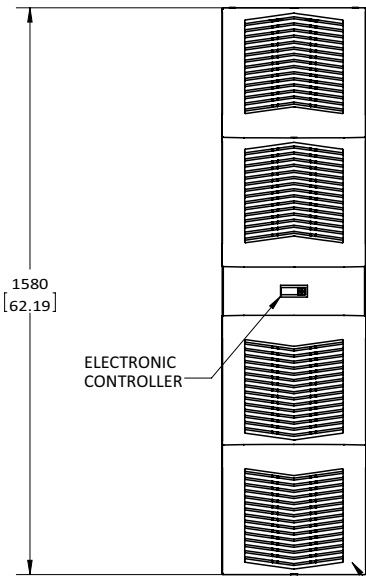
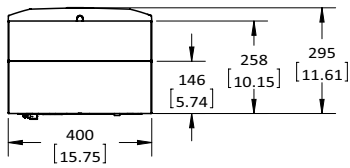
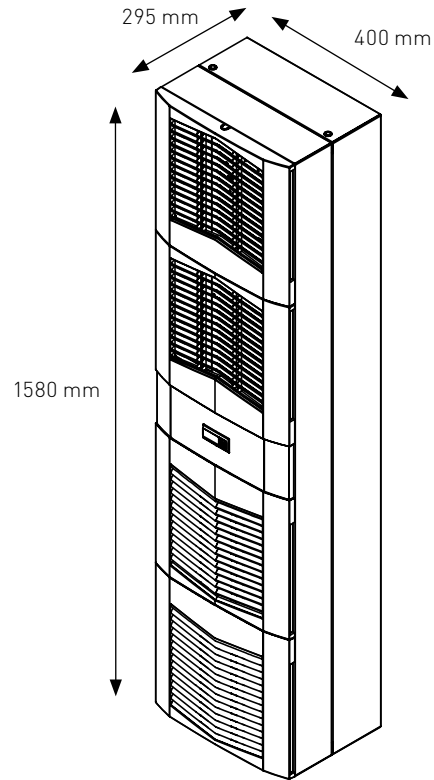
Hoffman

SPECTRACOOL SLIM FIT – 2500 WATT MODEL

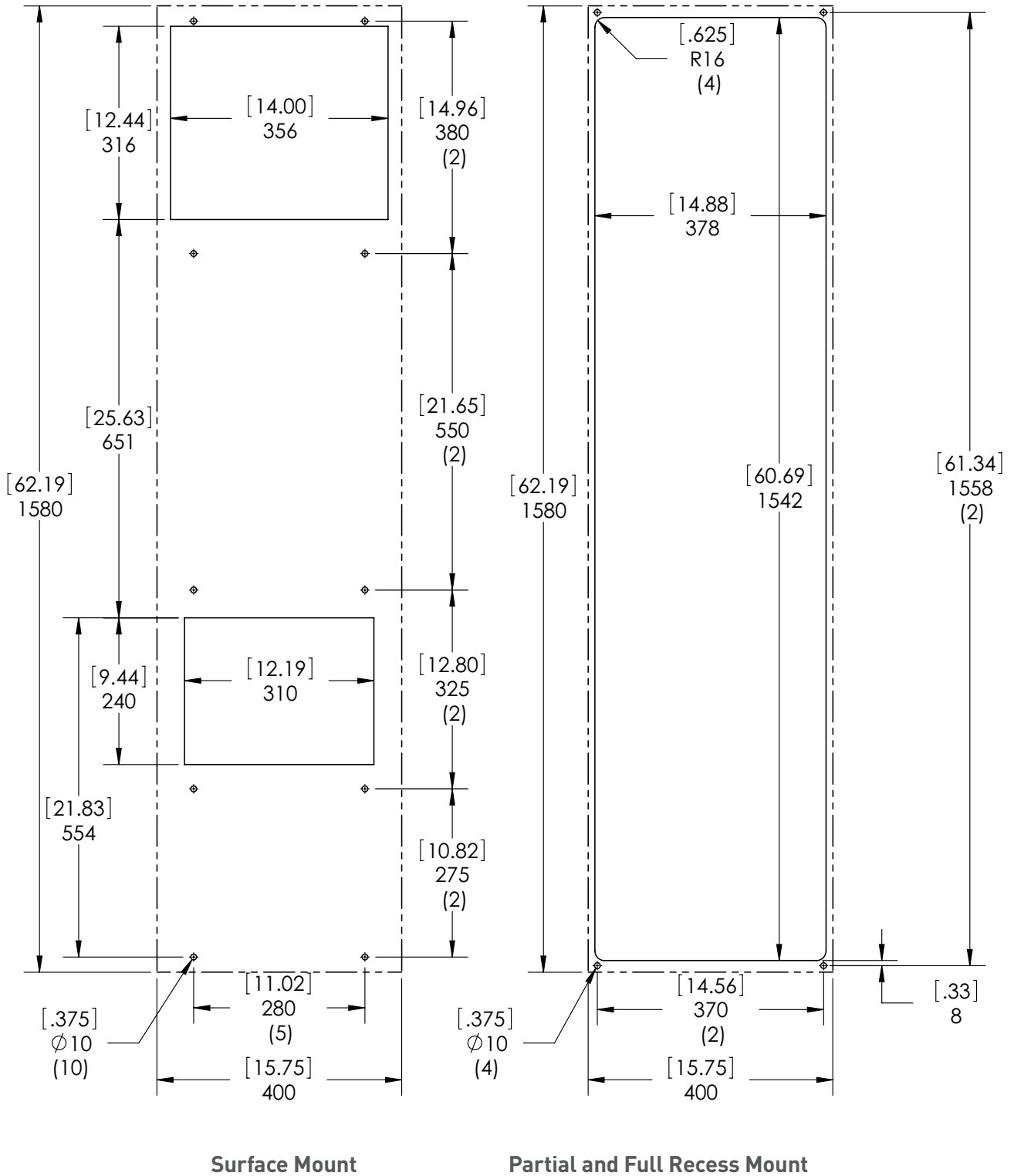
PERFORMANCE CURVES FOR 2500W MODELS ACCORDING TO EN 14511



SPECTRACOOL SLIM FIT – 2500 WATT MODEL



SPECTRACOOL SLIM FIT – 2500 WATT MODEL



2500W Cutout Drawing
Dashed Lines Represent The Air Conditioner

SPECTRACOOL SLIM FIT – 4000 WATT MODEL

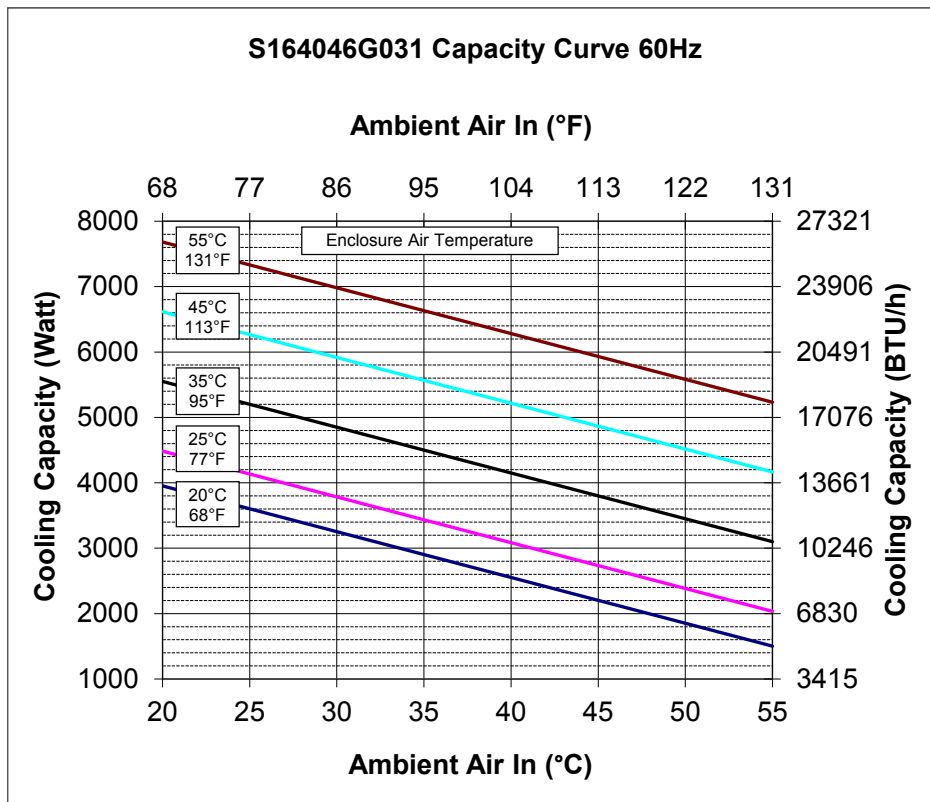
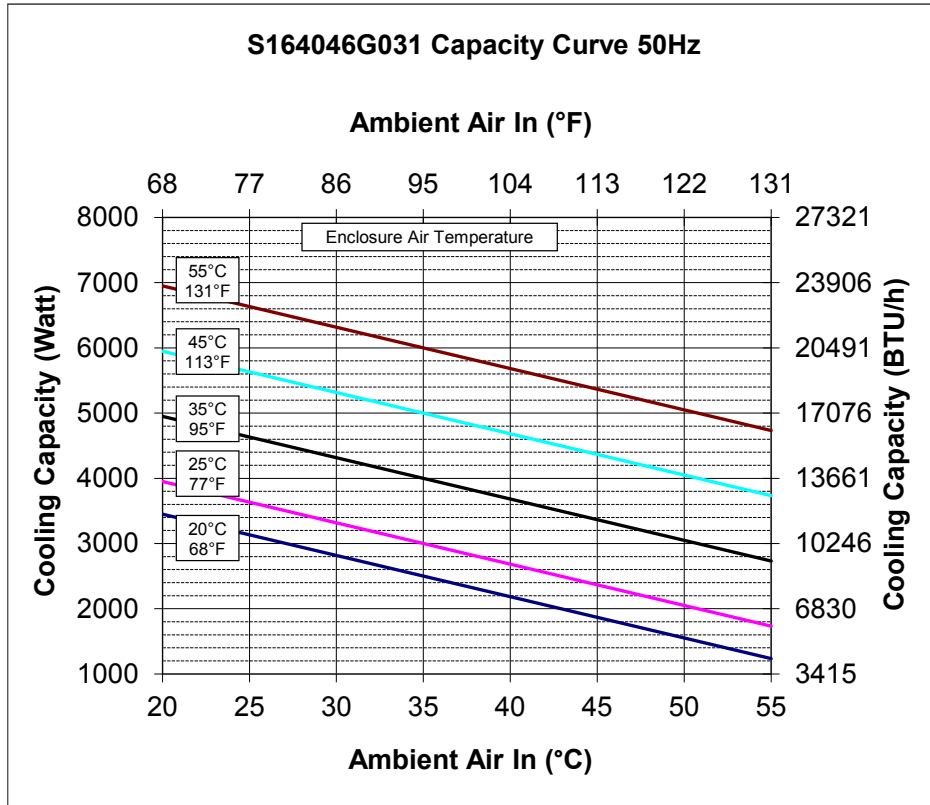
TWO MOUNTING OPTIONS: SURFACE AND PARTIAL RECESS MOUNT

UNIT REFERENCE		4000W 400/460V 3~
MODEL NUMBER		
	Indoor Model without Comm-Board	S164046G031
	Indoor Model with Comm-Board	S164046G041
COOLING PERFORMANCE		
	Total L35 L35, 50Hz, according to DIN EN 14511 (Watt)	4000
	Cooling Performance L35 L35 (Watt) 50/60Hz	4000 / 4500
	Cooling Performance L35 L50 (Watt) 50/60Hz	3050 / 3450
Refrigerant	Refrigerant	R134a
	Refrigerant Charge (g)	1247
Allowable Operating Pressure	Max. allowable operating pressure (p. max.) bar	28
Operating Temperature Range	Min. / Max. °C	10 / 55
Setting Temperature Range	Min. / Max. °C	20 / 55
Airflow at 0 Static Pressure	Internal Loop (m³/h)	494 / 576
	External Loop (m³/h)	1070 / 1184
	Duty Cycle	100%
ELECTRICAL DATA		
	Rated Voltage (Volt)	400 / 460
	Phase	3~
	Frequency (Hz)	50 / 60
	Operating Range	+/- 10%
	Max Power Consumption L35 L35 (Watt) 50/60Hz	1790 / 2310
	Max Power Consumption L35 L50 (Watt) 50/60Hz	1850 / 2430
	Max. Nominal Current (Amps)	4.2 / 4.4
	Starting Current (Amps)	14 / 15
	Pre-fuse T (Amps)	15
	Agency Approvals	UL-listed, cUL-listed, EAC, CE
	Power Input Description	Terminal Block
PERFORMANCE FACTOR (EER), 50/60Hz, DIN EN 14511		
	Cooling Performance L35 L35 50/60Hz	2.23 / 1.95
	Cooling Performance L35 L50 50/60Hz	1.65 / 1.42
ENCLOSURE PROTECTION		
	IP Code (External Loop / Internal Loop)	IP34 / IP54
CONTROLLER		
	Description	Smart controller with display
	Thermostat Location	Ambient side
	Factory Thermostat Setting (°C)	35 °C
SOUND LEVEL		
	At 1 M (dBA)	72
UNIT CONSTRUCTION		
	Material	Steel
	Finish	RAL 7035
UNIT DIMENSIONS		
	Height (mm)	1580
	Width (mm)	500
	Depth (mm)	339
	Weight (kg)	92

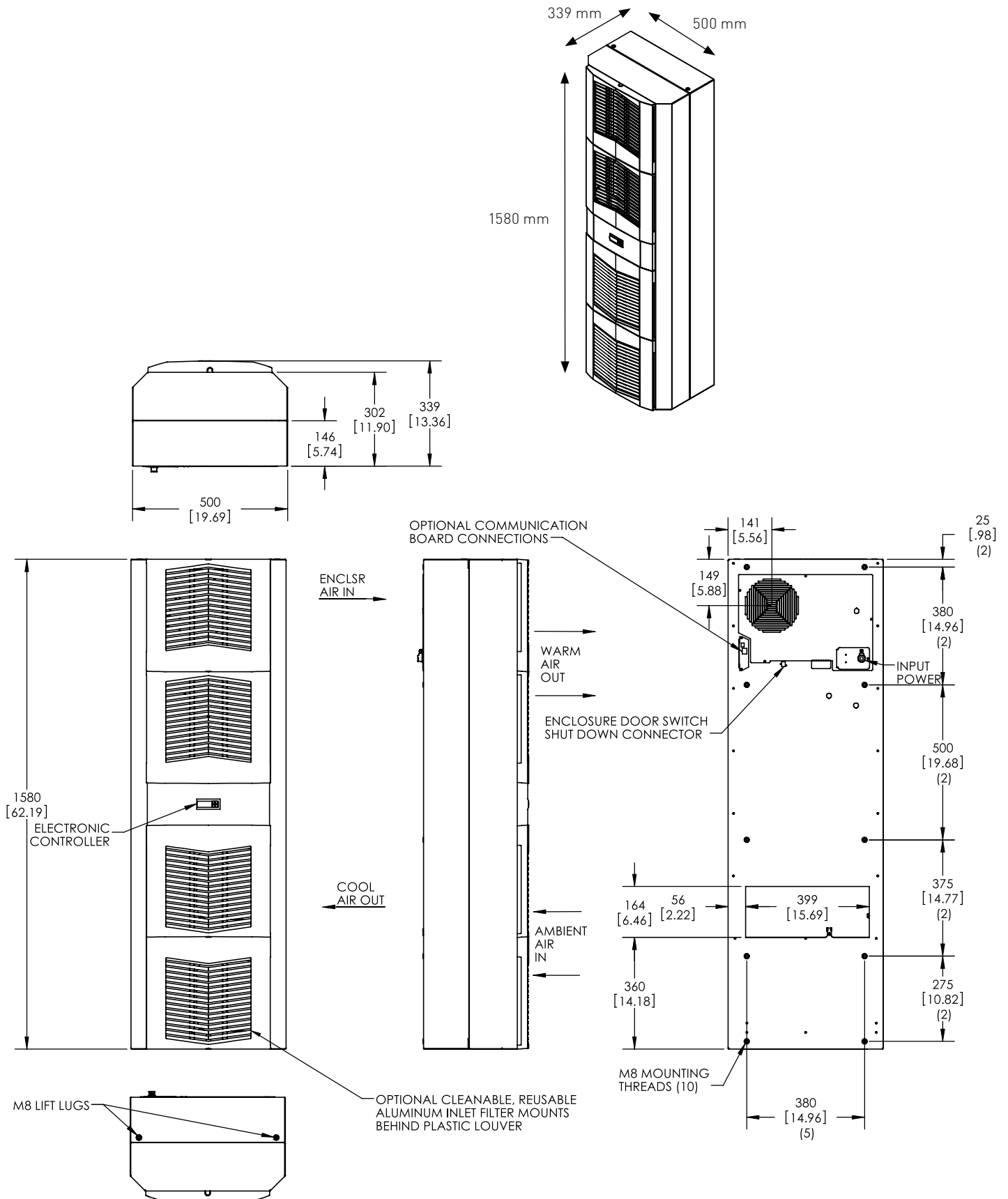
Hoffman

SPECTRACOOL SLIM FIT – 4000 WATT MODEL

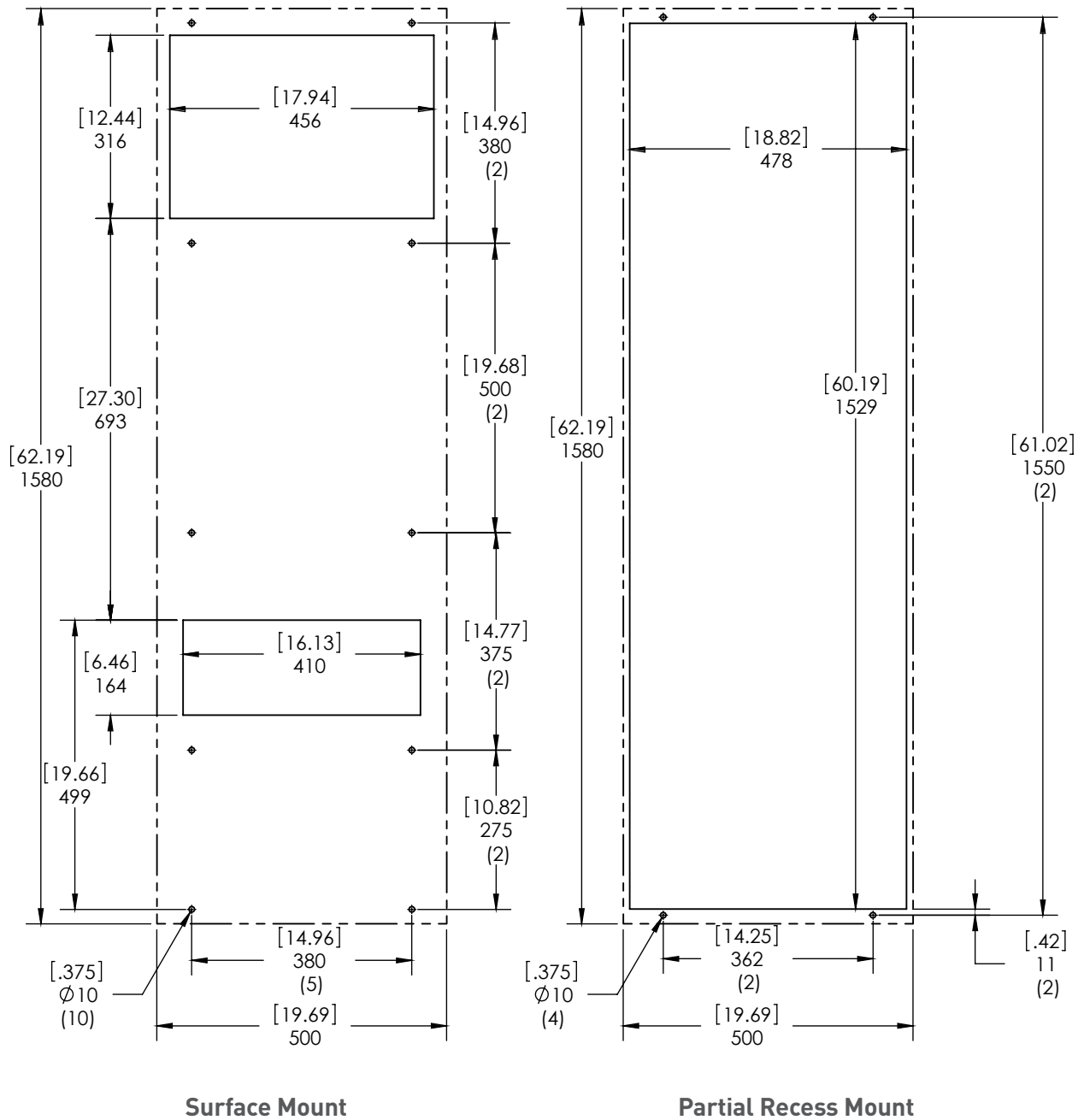
PERFORMANCE CURVES FOR 4000W MODELS ACCORDING TO EN 14511



SPECTRACOOL SLIM FIT – 4000 WATT MODEL



SPECTRACOOL SLIM FIT – 4000 WATT MODEL



4000W Cutout Drawing

Dashed Lines Represent The Air Conditioner

WORLDWIDE SERVICES, STANDARD WARRANTY

Pentair provides pre- and post-sale support for all Hoffman cooling products around the globe. We help you choose the right product for your application and offer full service worldwide.

WORLDWIDE ON-SITE SERVICE



MAINTENANCE AND REPAIR (MRO):

- Regional spare part inventory
- Over 7000 field repair technicians worldwide
- Easy air conditioner part access and replacement
- Standard warranty with extension options

Hoffman

HOW TO SELECT THE RIGHT COOLING SOLUTION?

Keeping your electronics cool is essential to maximizing the life of your electronics, reducing capital expenses, and keeping your business running. Heat can have a significant impact, reducing performance, causing damage, and affecting manufacturer warranties.

GET THE PERFECT COOLING SOLUTION WITH OUR COOLING SELECTION TOOL

[HTTP://COOLINGTOOL.PENTAIRPROTECT.COM](http://coolingtool.pentairprotect.com)

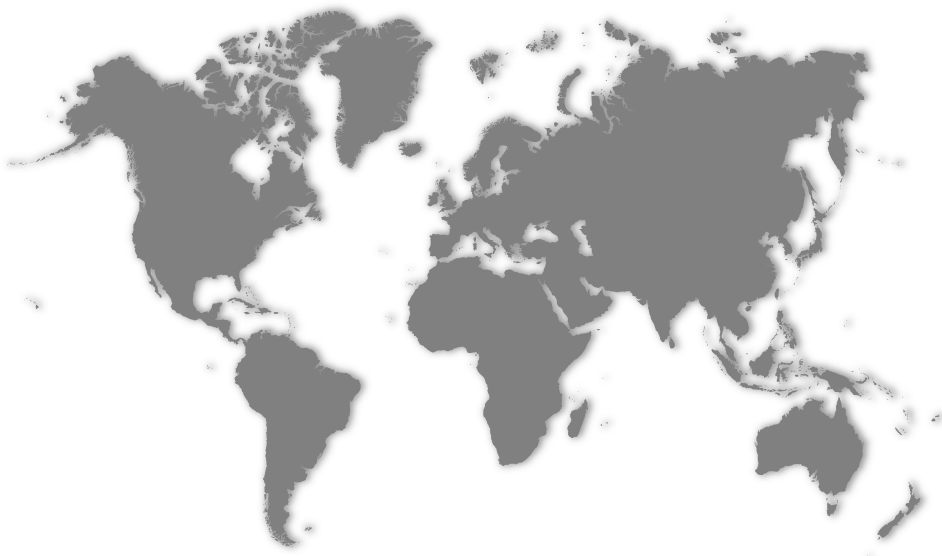


Select Language

- English
- Deutsch
- Español
- Português
- Chinese (中文)

Select Region

- US / Canada / Mexico / Caribbean
- Australia / SE Asia / Japan
- South America
- Europe / Middle East / Africa
- China



©2012-2014 Pentair Ltd.



WWW.PENTAIRPROTECT.COM

EUROPE

Straubenhardt, Germany
Tel: +49.7082.794.0

Würselen, Germany
Tel: +49.2405.40996.0

Betschdorf, France
Tel: +33.3.88.90.64.90

Warsaw, Poland
Tel: +48.22.209.98.35

Dzierzoniow, Poland
Tel: +48.74.64.63.900

Hemel Hempstead, Great Britain
Tel: +44.1442.24.04.71

Lainate, Italy
Tel: +39.02.932.714.1

Moscow, Russia
Tel: +7.495.926.18.85

Langenalber Str. 96-100, D-75334 Straubenhardt

NORTH AMERICA

Minneapolis, MN
Tel: +1.763.421.2240

Mexico, D.F.
Tel: +52.55.5280.1449

Toronto, Canada
Tel: +1.416.289.2770

MIDDLE EAST & INDIA

Dubai, United Arabian Emirates
Tel: +971.4.37.81.700

Bangalore, India
Tel: +91.80.6715.2001

Istanbul, Turkey
Tel: +90.216.250.7374

ASIA

Shanghai, P.R. China
Tel: +86.21.2412.1688

Singapore
Tel: +65.6768.5800

Shin-Yokohama, Japan
Tel: +81.45.476.0271

Seoul, Korea
Tel: +82.2.2129.7755

Pentair, Hoffman, SpectraCool and Design with Confidence are owned by Pentair or its global affiliates. All other trademarks are the property of their respective owners.