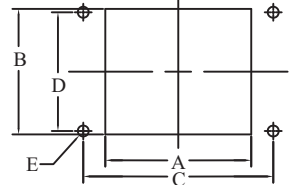
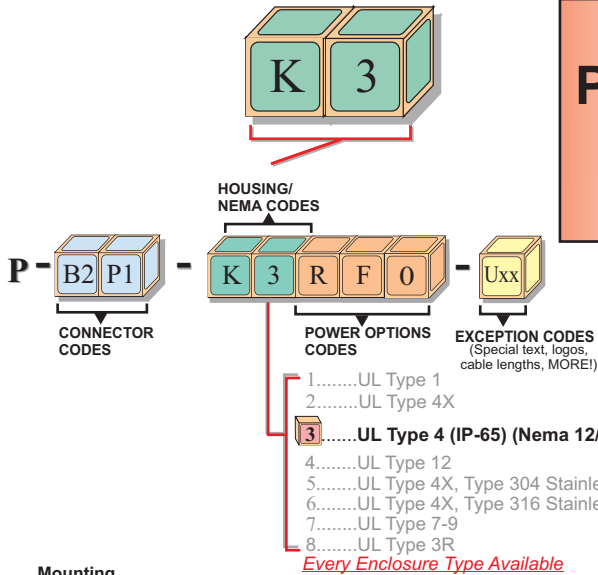


# Panel Mount Housing Dimensions UL Type 4 - IP65 Ratings

## ThruView™ Housings



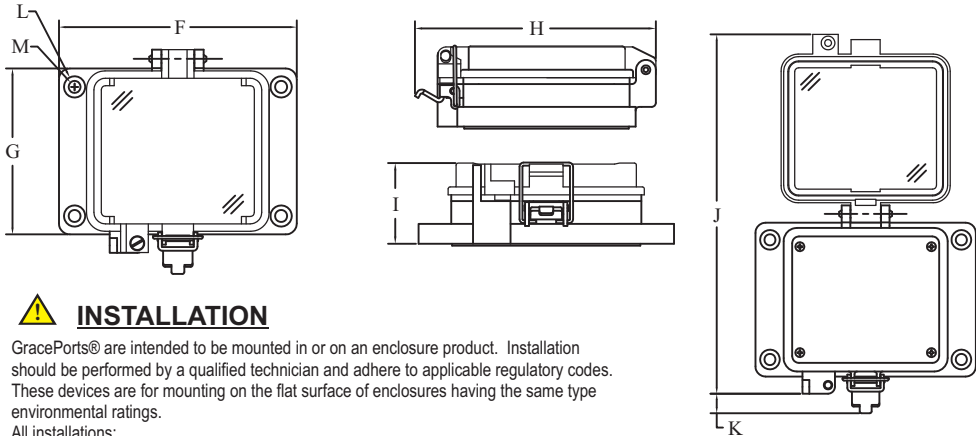
Mounting Dimensions (inches [mm])

| Housing Code | Weight (oz) | A                    | B                   | C                    | D                   | E∅                |
|--------------|-------------|----------------------|---------------------|----------------------|---------------------|-------------------|
| B            | 3.8         | 2.06±.010 [52.4±.2]  | 1.42±.010 [36.0±.2] | 2.76±.004 [70.0±.1]  | 1.26±.004 [32.0±.1] | .18±.010 [4.5±.2] |
| F            | 5.1         | 3.36±.010 [85.4±.2]  | 1.42±.010 [36.0±.2] | 4.03±.004 [102.4±.1] | 1.26±.004 [32.0±.1] | .18±.010 [4.5±.2] |
| H            | 5.9         | 4.42±.010 [112.4±.2] | 1.42±.010 [36.1±.2] | 5.12±.004 [130.0±.1] | 1.26±.004 [32.0±.1] | .18±.010 [4.5±.2] |
| K            | 10.8        | 3.39±.010 [86.0±.2]  | 2.91±.010 [74.0±.2] | 4.41±.004 [112.0±.1] | 2.76±.004 [70.0±.1] | .26±.010 [6.5±.2] |
| M            | 13.2        | 4.80±.010 [122.0±.2] | 3.15±.010 [80.0±.2] | 5.83±.004 [148.0±.1] | 2.76±.004 [70.0±.1] | .26±.010 [6.5±.2] |

Overall Dimensions (inches [mm])

| Housing Code | F            | G           | H            | I           | J            | K          | L∅         | M∅                |
|--------------|--------------|-------------|--------------|-------------|--------------|------------|------------|-------------------|
| B            | 3.15 [80.0]  | 1.72 [43.6] | 3.20 [81.2]  | 1.60 [40.7] | 4.33 [110.1] | .96 [24.4] | N/A        | .18±.004 [4.5±.1] |
| F            | 4.45 [113.0] | 1.72 [43.6] | 3.20 [81.2]  | 1.60 [40.7] | 4.87 [123.7] | .57 [14.4] | N/A        | .18±.004 [4.5±.1] |
| H            | 5.51 [140.0] | 1.72 [43.6] | 3.20 [81.2]  | 1.60 [40.7] | 4.87 [123.7] | .57 [14.4] | N/A        | .18±.004 [4.5±.1] |
| K            | 5.08 [129.0] | 3.54 [90.0] | 4.79 [121.6] | 1.60 [40.7] | 8.28 [210.2] | .45 [11.4] | .45 [11.5] | .26±.004 [6.5±.1] |
| M            | 6.50 [165.0] | 3.78 [96.0] | 5.02 [127.6] | 1.60 [40.7] | 8.52 [216.4] | .57 [14.4] | .45 [11.5] | .26±.004 [6.5±.1] |

Drawings available at [www.graceport.com](http://www.graceport.com)



### INSTALLATION

GracePorts® are intended to be mounted in or on an enclosure product. Installation should be performed by a qualified technician and adhere to applicable regulatory codes. These devices are for mounting on the flat surface of enclosures having the same type environmental ratings.

**All installations:**

- 1) Cut panel opening and mount GracePort® assembly to enclosure with gasket.
  - 2) Connect low voltage interface wiring according to documentation provided with unit.
- On units configured for optional AC power:**
- 1) Connect outlet device as per code. *Note: It is the responsibility of the installer to ensure adequate separation of high and low voltage circuits in the end-use product.*
  - 2) Ensure that the metal housing is reliably grounded using grounding means provided.

### SPECIFICATIONS: ELECTRICAL

Low voltage (data), limited to 30 VDC  
 High voltage supply (for computer use only)  
 120 VAC, 15A (UL), 5A (CSA)  
 230-240 VAC, 16A (CE only)

### SPECIFICATIONS: MECHANICAL

Housing: Cast aluminum base  
 Latch: Type 304 Stainless Steel (1CR18NI19)  
 Cover: Polycarbonate, UV rated, V-O Flame rated  
 Gasket: Thermoplastic elastomer  
 Insert Material: Acrylic UL94HB

### APPROVALS



UL RECOGNIZED: E207344 Type 4, IP-65 (Outdoor Use)  
 CSA: LR110845 (not for interrupting circuit)  
 CE: EN61010/EN60950 (Foreign Power Outlets)



5011 Tremont Avenue  
 Davenport, IA 52807  
 (800) 280-9517 Fax: (563) 386-9639  
 ©2012 Grace Engineered Products, Inc. DataSheets:PMH\_T4\_2/2012  
 GracePort® is a registered Trademark of Grace Engineered Products, Inc