



INSTALLATION

GracePorts® are intended to be mounted in or on an enclosure product. Installation should be performed by a qualified technician and adhere to applicable regulatory codes. These devices are for mounting on the flat surface of enclosures having the same type environmental ratings.

All installations:

- 1) Cut panel opening and mount GracePort® assembly to enclosure with supplied gasket.
- 2) Connect low voltage interface wiring according to documentation provided with unit.

On units configured for optional AC power:

- 1) Connect outlet device as per code. *Note: It is the responsibility of the installer to ensure adequate separation of high and low voltage circuits in the end-use product.*

MECHANICAL SPECIFICATIONS

Housing: Cast aluminum base
 Latch: Type 304 Stainless Steel
 Cover: Polycarbonate, UV rated, V-O Flame rated
 Insert Material: Acrylic UL94HB

ELECTRICAL SPECIFICATIONS

600 VAC, 30A (UL), 5A (CSA)*
 Optional Circuit Breaker protection
 *Final electrical specifications will vary based on component selection.

APPROVALS*

UL RECOGNIZED:
 E207344 (TYPE 3R, 4, 4X, 12)**
IEC: IP-65
CSA: LR110845 (not for interrupting circuit)*
CE: EN61010-1:2010/EN50581:2012*
 ** Final product certification will vary based on component selection.



HOUSING SIZE AND ENVIRONMENTAL RATING

Sample Part No.:
P - B 1 P 1 - M 2 R X - V

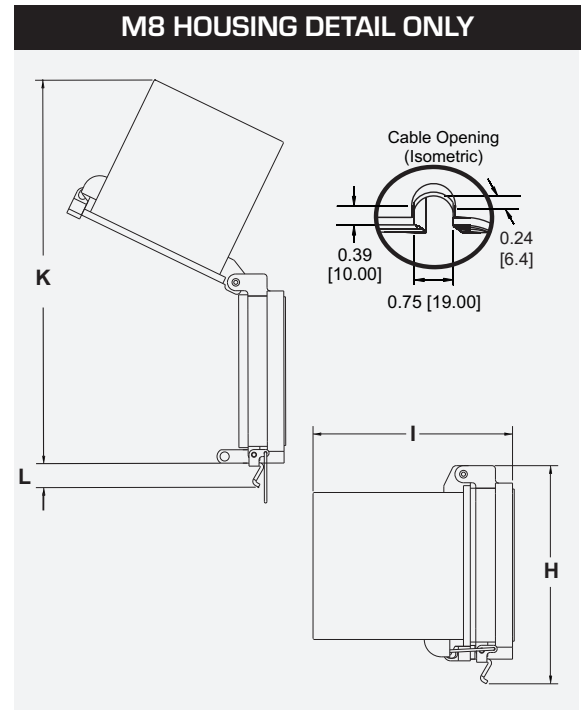
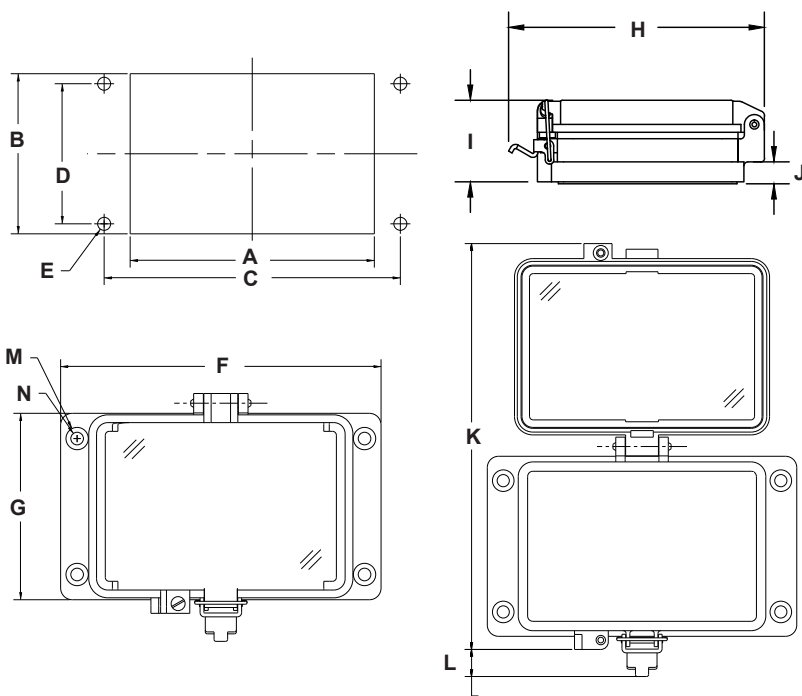
First letter refers to housing size only (B, F, H, K, or M)

Numeral refers to the environmental ratings below.

- 2 = UL TYPE 4X (IP-65)
- 3 = UL TYPE 4 (IP-65)
- 4 = UL TYPE 12
- 8 = UL TYPE 3R

Warning: Verify an electrical conductor has been de-energized using an adequately rated test instrument before working on it. Follow appropriate Energy Control (Lockout/Tagout) procedures as per OSHA Subpart S. GracePort® is a registered Trademark of Grace Technologies, Inc.
 © Grace Technologies, Inc. All rights reserved. Specifications are subject to change with/without notice.

GP-PMH-IG-EN 2005



MOUNTING DIMENSIONS INCHES (MM)

| HOUSING CODE | WEIGHT (OZ) | A | B | C | D | EØ |
|--------------|-------------|-----------------------------|----------------------------|-----------------------------|----------------------------|--------------------------|
| B2, B3, B4 | 3.8 | 2.06 ± .010 (52.4 ± .2) | 1.42 ± .010 (36.0 ± .2) | 2.76 ± .004 (70.0 ± .1) | 1.26 ± .004 (32.0 ± .1) | .18 + .010 (4.6 + .2) |
| F2, F3, F4 | 5.1 | 3.36 ± .010 (85.4 ± .2) | 1.42 ± .010 (36.0 ± .2) | 4.03 ± .004 (102.4 ± .1) | 1.26 ± .004 (32.0 ± .1) | .18 + .010 (4.6 + .2) |
| H2, H3, H4 | 5.9 | 4.42 ± .010 (112.4 ± .2) | 1.42 ± .010 (36.0 ± .2) | 5.12 ± .004 (130.0 ± .1) | 1.26 ± .004 (32.0 ± .1) | .18 + .010 (4.6 + .2) |
| K2, K3, K4 | 10.8 | 3.39 ± .010 (86.0 ± .2) | 2.91 ± .010 (74.0 ± .2) | 4.41 ± .004 (112.0 ± .1) | 2.76 ± .004 (70.0 ± .1) | .26 + .010 (6.5 + .2) |
| M2, M3, M4 | 13.2 | 4.80 ± .010 (122.0 ± .2) | 3.15 ± .010 (80.0 ± .2) | 5.83 ± .004 (148.0 ± .1) | 2.76 ± .004 (70.0 ± .1) | .26 + .010 (6.5 + .2) |
| M8 | 17.6 | 4.80 ± .010 (122.0 ± .2) | 3.15 ± .010 (80.0 ± .2) | 5.83 ± .004 (148.0 ± .1) | 2.76 ± .004 (70.0 ± .1) | .26 + .010 (6.5 + .2) |

OVERALL DIMENSIONS INCHES (MM)

| HOUSING CODE | F | G | H | I | J | K | L | MØ | NØ |
|--------------|-----------------|----------------|-----------------|-----------------|----------------|-----------------|----------------|---------------------------|--------------------------|
| B2, B3, B4 | 3.15 (80.0) | 1.72 (43.6) | 3.20 (81.2) | 1.60 (40.7) | .20 (5.0) | 4.33 (110.1) | .96 (24.4) | N/A | .18 ± .004 (4.6 ± .1) |
| F2, F3, F4 | 4.45 (113.0) | 1.72 (43.6) | 3.20 (81.2) | 1.60 (40.7) | .20 (5.0) | 4.87 (123.7) | .57 (14.4) | N/A | .18 ± .004 (4.6 ± .1) |
| H2, H3, H4 | 5.51 (140.0) | 1.72 (43.6) | 3.20 (81.2) | 1.60 (40.7) | .20 (5.0) | 4.87 (123.7) | .57 (14.4) | N/A | .18 ± .004 (4.6 ± .1) |
| K2, K3, K4 | 5.08 (129.0) | 3.54 (90.0) | 4.79 (121.6) | 1.60 (40.7) | 0.43 (11.0) | 8.28 (210.2) | .45 (11.4) | .45 ± .22 (11.5 ± 5.5) | .26 ± .004 (6.5 ± .1) |
| M2, M3, M4 | 6.50 (165.0) | 3.78 (96.0) | 5.02 (127.6) | 1.60 (40.7) | 0.43 (11.0) | 8.52 (216.4) | .57 (14.4) | .45 ± .20 (11.5 ± 5.2) | .26 ± .004 (6.5 ± .1) |
| M8 | 6.50 (165.0) | 3.78 (96.0) | 5.02 (127.6) | 4.59 (116.7) | 0.43 (11.0) | 9.03 (229.4) | 0.57 (14.4) | .45 ± .20 (11.5 ± 5.2) | .26 ± .004 (6.5 ± .1) |

QUESTIONS

For questions or technical support, please contact us at 1-800-280-9517.