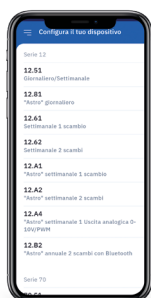


12 SERIES  
Time switches



NFC



NEW



Annual ASTRO time switch  
with Bluetooth  
Type 12.B2.8.230.0000

Annual function, for scheduling over specified periods or specific days of the year.

Ideal for schools, small automations, public lighting and advertising.

Synchronizable via wireless GPS antenna (Type 012. BG.8.230) and expandable via Bluetooth inputs and outputs (Type 13.21-B and Type 1Y.P2).

Bluetooth GPS antenna  
Type 012.BG.8.230  
for Type 12.B2 time switch

Type 12.B2 Bluetooth GPS antenna for date and time synchronization. The antenna sends accurate time every day - synchronizing all Type 12.B2s within bluetooth range to ensure precision time alignment.



Annual schedule



GPS (external antenna)



Bluetooth



NFC

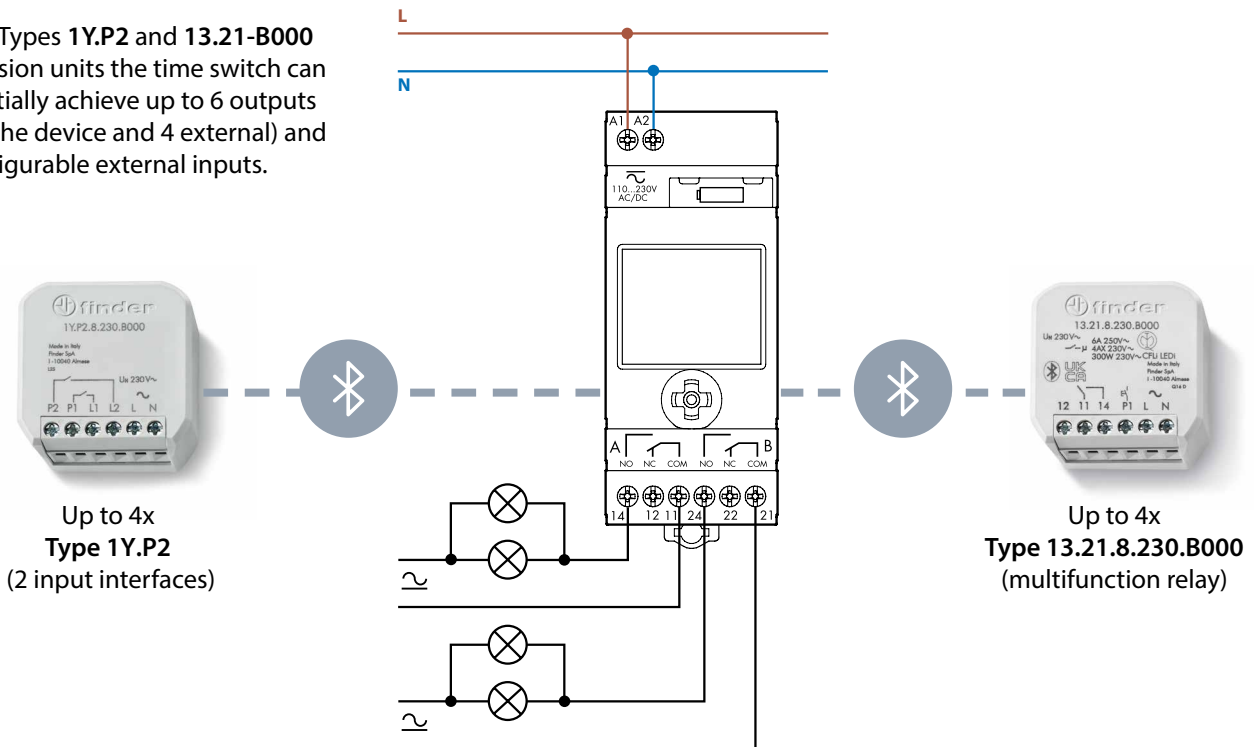


### Annual Bluetooth ASTRO time switch Type 12.B2.8.230.000

- Different programming methods:
  - “Smart” programming via Smartphone - Android and Apple - with Bluetooth and NFC technology
  - “Classic” joystick manual programming
- Annual programming with advanced functions
- Bluetooth 5 + NFC for app configuration and expandability
- 2 CO (DPDT) 16 A outputs on board
- Supply voltage: 110...230 V AC
- Outputs and inputs expandable via 1Y.P2 and 13.21-B
- Synchronization via external wireless GPS antenna (Type 012.BG.8.230)

### Expandability

Using Types 1Y.P2 and 13.21-B000 expansion units the time switch can potentially achieve up to 6 outputs (2 on the device and 4 external) and 8 configurable external inputs.



### Functions

“Classic” programming via joystick.

Available functions:

- ON
- OFF
- PULSE
- ASTRO ON
- ASTRO OFF
- ASTRO PULSE

“Smart” programming via Smartphone

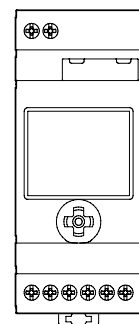
- Android and Apple - with Bluetooth and NFC technology.

The functions that can be set from the joystick are also included in the app Finder Toolbox.

**RANDOM** (random switching)

**CYCLIC** (repeated pulses)

**TIMER WITH CORRECTION**





GPS



Bluetooth



Synchronisation  
of date and time



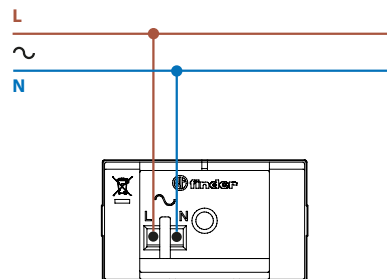
Protection  
category  
IP 54



### Bluetooth GPS Antenna Type 012.BG.8.230

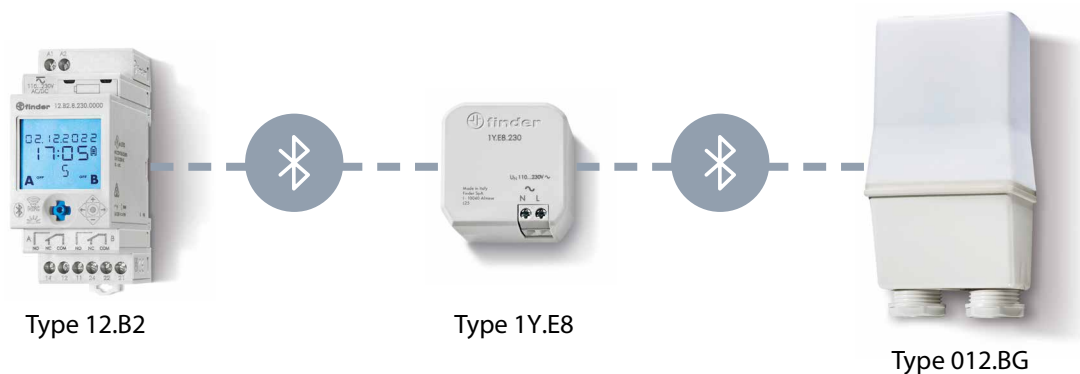
- Plug'n'play
- Power supply 110...230 V AC
- Outdoor mounting (IP 54)
- GPS and Bluetooth 5 Long Range
- Synchronizes the date and time of the Type 12.B2 time switch daily
- No limit to number of synchronizable 12.B2 time switches

### Wiring diagram



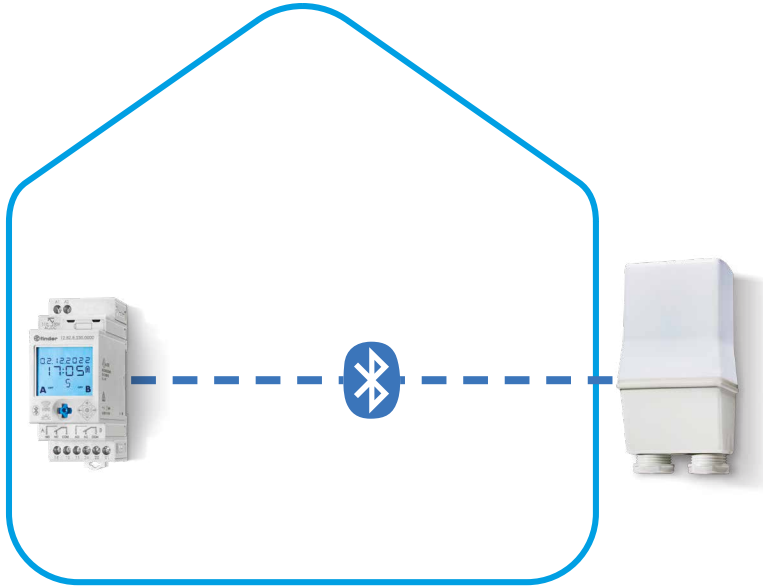
### Range extender

Type 1Y.E8 range extenders can be used to extend the Bluetooth signal to reach other devices if they are out of Bluetooth range.



### Wireless external GPS antenna

- Type 012.BG.8.230 is used to constantly synchronize the time of the Type 12.B2.
- The external antenna works via Bluetooth Long Range and avoids running cables between the transmitter and the receivers.
- Install the antenna on an external wall - best results if situated on the outside face.



- The antenna can synchronize multiple Type 12.B2.

