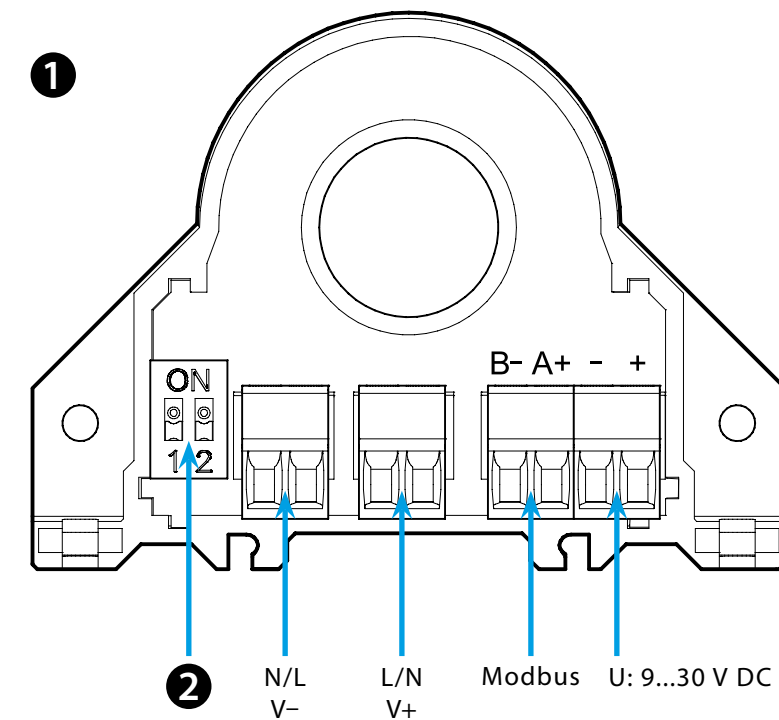




6M.Tx

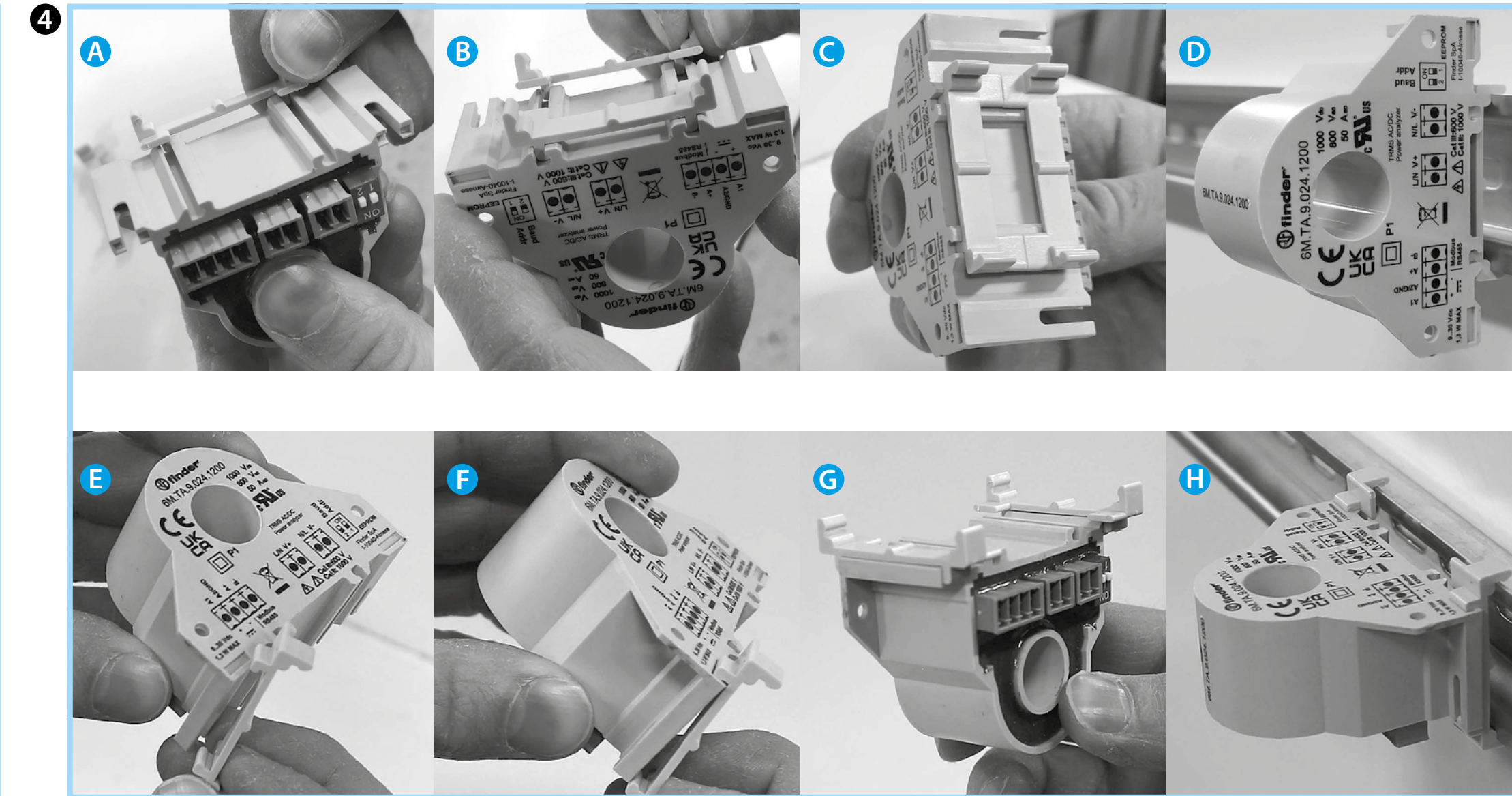
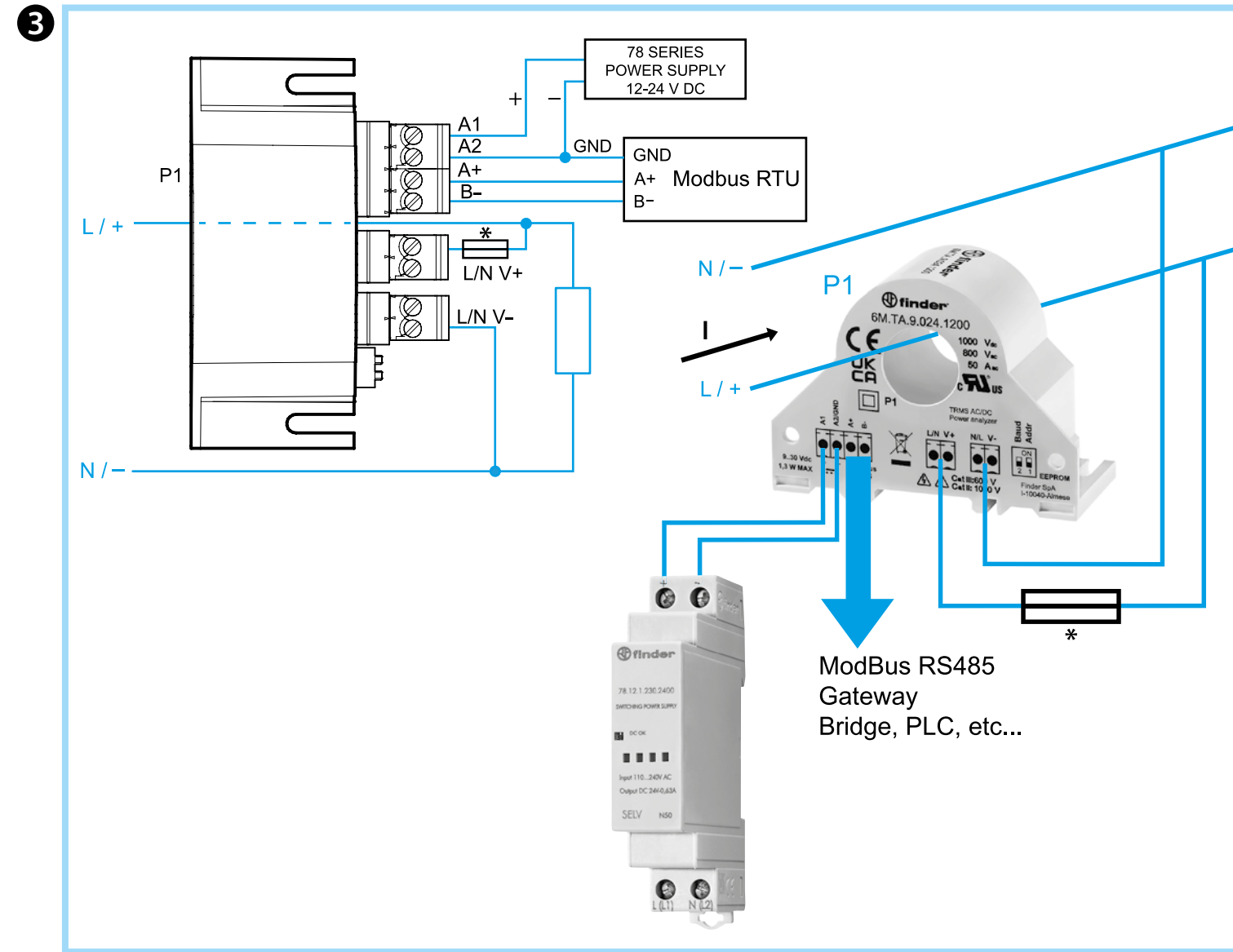
6M.Tx.9.024.1200			
TRMS AC or DC MODBUS POWER MONITOR	6M.TA	6M.TB	6M.TF
I _{max} / U _{max} AC	50/800	100/800	300/800
I _{max} / U _{max} DC	50/1000	100/1000	400/1000
U DC	9... 24 (U _N)...30		
Modbus RS485	1200...115200 baud, 8, N, 1		
T (-15...+65)°C			
IP 20			



2

Default
 Address: 1
 Baud: 9600
 Modbus RS485

Address: 1
 Baud: 38400
 Modbus RS485



ENGLISH

6M.Tx.9.024.1200
 MODBUS RS485 SINGLE PHASE POWER MONITOR

- 1** CONNECTOR DESCRIPTION
- 2** SETTINGS
 * Custom settings saved on internal memory (EEPROM)
- 3** WIRING
 * 100 mA - Type slow
- 4** 35 mm RAIL MOUNTING
 A-B-C-D Current cable vertical
 E-F-G-H Current cable horizontal

NOTE
 Full owner manual downloadable on Finder site

