

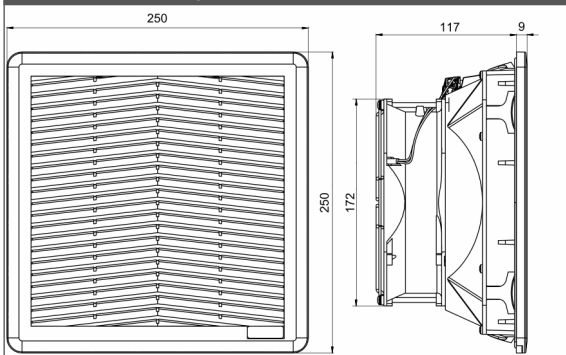
## "FF15DF" SERIES FAN FILTERS

Description: Fan Filter 24 and 48 Vd.c.

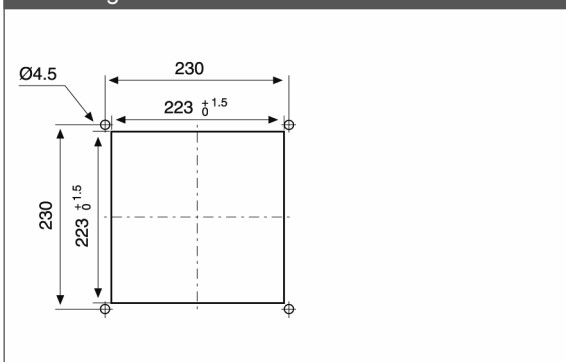


<b>Type of material:</b>	PC/ABS Alloy, PA 66 GF13 HSL for elastic clips
<b>Standard color:</b>	RAL 7035, other colors on request
<b>Protection degree:</b>	IP54, according to EN 60529 Std Type 12 according to UL 508 Std
<b>Fixing system:</b>	by elastic clips
<b>Plate thickness:</b>	from 1.3 mm to 3.7 mm (up to 4 mm with cut-out max tolerance)
<b>Storage temperature:</b>	from -40°C to +70°C
<b>Motor Lifetime L10 at 40°C (approx.):</b>	70,000 h
<b>Motor protection:</b>	IC protected and polarity protection
<b>Electrical connection:</b>	by screwless terminal block, 2.5 mm <sup>2</sup> (20 - 14 AWG)
<b>Appliance class:</b>	class III
<b>Type of filter media:</b>	thermo-linked progressive structure synthetic fibre
<b>Filtering class:</b>	class G3, according to EN 779
<b>Degree of separation:</b>	85% - DIN 24185
<b>Dust retention capacity:</b>	600 g/m <sup>2</sup>
<b>Note:</b>	filter media is washable about 10 times
<b>Weight:</b>	1.4 Kg
<b>Approvals:</b>	CE; UL E237844; CSA

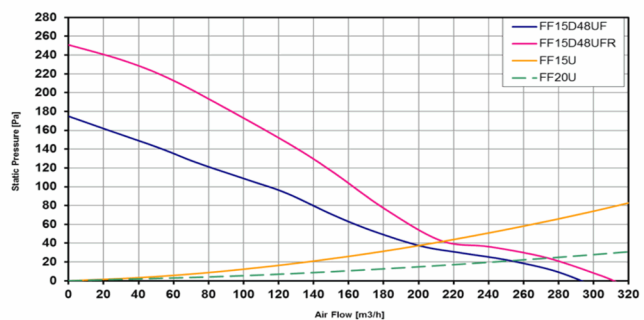
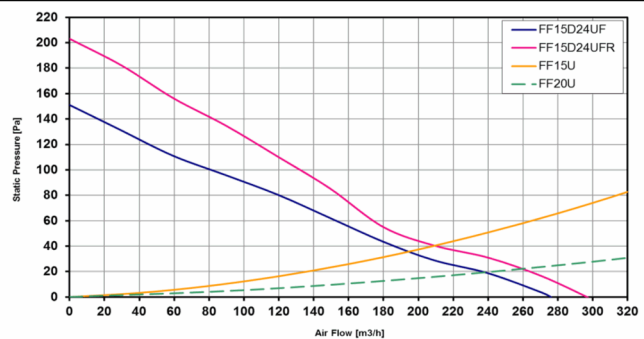
### technical drawing (standard flow)



### mounting cut-out



IP 54



Model	Voltage (V)	Frequency (Hz)	Rated Current (A)	Rated Power (W)	Max Air Flow** (m <sup>3</sup> /h)	Static Pressure (Pa)	Fan Noise (db(A))	Rated Temp. Range (°C)	Approvals
FF15D24UF	24 V d.c.	-	1.3	31	275	150	60.0	-10 + +55	CE; cURus; cCSAus
FF15D24UFR	24 V d.c.	-	1.3	31	295	205	60.0	-10 + +55	CE; cURus; cCSAus
FF15D48UF	48 V d.c.	-	0.9	43	295	175	59.0	-10 + +55	CE
FF15D48UFR	48 V d.c.	-	0.9	43	310	250	59.0	-10 + +55	CE

data with uncertainty of 15%

All specifications, data and drawing are subject to change without notice. Please refer to our terms of sales including our warranty and limited liabilities clauses.