

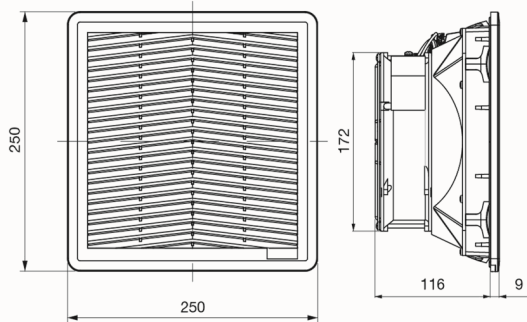
"FF15AF" SERIES FAN FILTERS

Description: **Fan Filter 115/230 Va.c.**

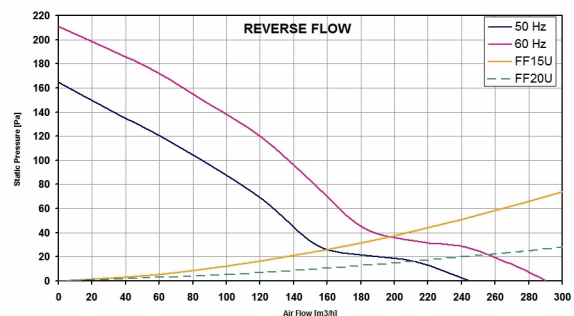
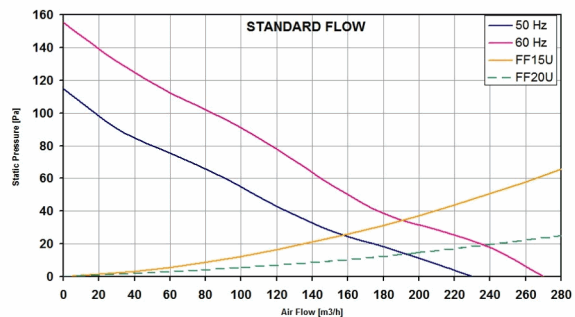
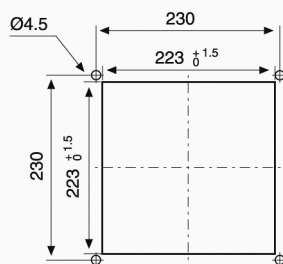


Type of material:	PC/ABS Alloy, PA 66 GF13 HSL for elastic clips
Standard color:	RAL 7035, other colors on request
Protection degree:	IP54, according to EN 60529 Std Type 12 according to UL 508 Std
Fixing system:	by elastic clips
Plate thickness:	from 1.3 mm to 3.7 mm (up to 4 mm with cut-out max tolerance)
Storage temperature:	from -40°C to +70°C
Motor Lifetime L10 at 40°C:	40,000 h
Motor protection:	thermal
Electrical connection:	by screwless terminal block 3 poles L-N-PE, 2.5 mm ² (20-14 AWG)
Earth connection:	by PE pole
Appliance class:	class I
Type of filter media:	thermo-linked progressive structure synthetic fibre
Filtering class:	class G3, according to EN 779
Degree of separation:	85% - DIN 24185
Dust retention capacity:	600 g/m ²
Note:	filter media is washable about 10 times
Weight:	1.5 Kg
Approvals:	CE; UL E237844; CSA

technical drawing (standard flow)



mounting cut-out



Model	Voltage	Frequency	Rated Current	Rated Power	Max Air Flow	Static Pressure	Fan Noise	Rated Temp. Range	Approvals
	(V)	(Hz)	(A)	(W)	(m3/h)	(Pa)	[db(A)]	(°C)	
FF15A115*FR	115 V a.c.	50/60	0.280/0.260	31/31	245/290	165/210	50.0/55.0	-10 + +55	CE; cURus; cCSAus; cULus
FF15A115UF	115 V a.c.	50/60	0.280/0.270	31/31	230/270	115/155	50.0/55.0	-10 + +55	CE; cURus; cCSAus; cULus
FF15A230*FR	230 V a.c.	50/60	0.140/0.160	32/36	245/290	165/210	50.0/55.0	-10 + +55	CE; cURus; cCSAus; cULus
FF15A230UF	230 V a.c.	50/60	0.140/0.160	32/36	230/270	115/155	50.0/55.0	-10 + +55	CE; cURus; cCSAus; cULus

data with uncertainty of 15%