

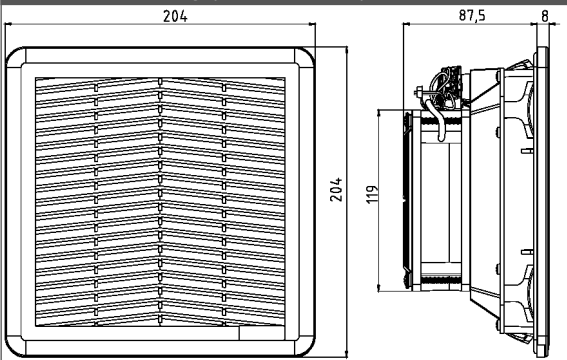
"FF13PAN" SERIES FAN FILTERS

Description: **Fan Filter 115/230 Va.c.**

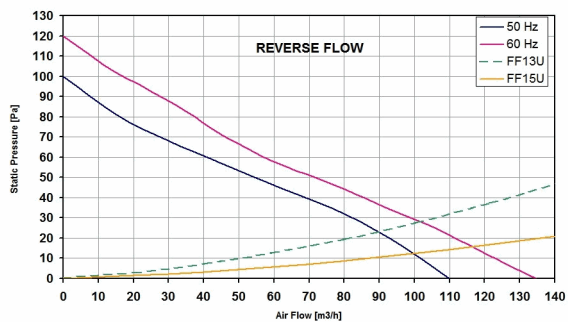
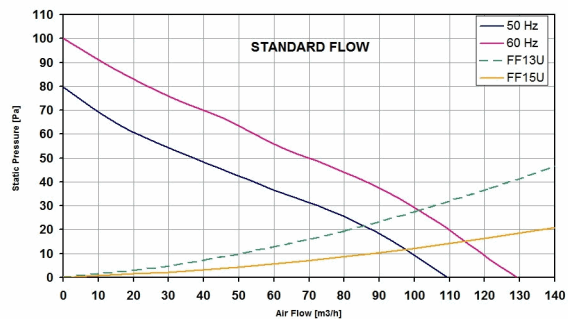
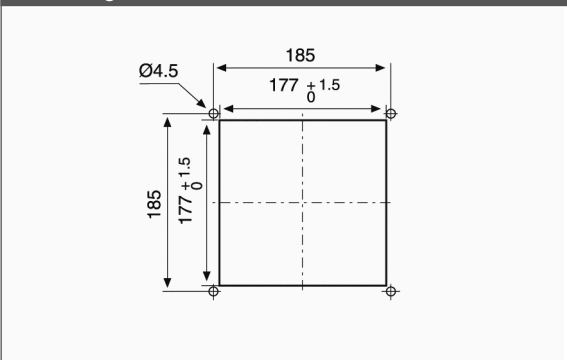


Type of material:	PC/ABS Alloy, PA 66 GF13 HSL for elastic clips
Standard color:	RAL 7035, other colors on request
Protection degree:	IP54, according to EN 60529 Std Type 12 according to UL 508 Std
Fixing system:	by elastic clips
Plate thickness:	from 1.3 mm to 3.2 mm
Storage temperature:	from -40°C to +70°C
Motor Lifetime L10 at 25°C:	100,000 h
Motor protection:	thermal
Electrical connection:	by screwless terminal block 3 poles L-N-PE, 2.5 mm ² (20 - 14 AWG)
Earth connection:	by PE pole
Appliance class:	class I
Type of filter media:	thermo-linked progressive structure synthetic fibre
Filtering class:	class G3, according to EN 779
Degree of separation:	85% - DIN 24185
Dust retention capacity:	600 g/m ²
Note:	filter media is washable about 10 times
Weight:	1.2 Kg
Approvals:	CE; UL E237844; CSA

technical drawing (standard flow)



mounting cut-out



Model	Voltage	Frequency	Rated Current	Rated Power	Max Air Flow	Static Pressure	Fan Noise	Rated Temp. Range	Approvals
	(V)	(Hz)	(A)	(W)	(m3/h)	(Pa)	[db(A)]	(°C)	
FF13PA115UN	115 V a.c.	50/60	0.200/0.180	16/15	110/130	80/100	40.0/44.0	-10 + +55	CE; cURus; cCSAus; cULus
FF13PA115UNR	115 V a.c.	50/60	0.257/0.224	20/18	110/135	100/120	40.0/44.0	-10 + +55	CE; cURus; cCSAus; cULus
FF13PA230*N	230 V a.c.	50/60	0.126/0.110	19/17	110/130	80/100	40.0/44.0	-10 + +55	CE; cURus; cCSAus; cULus
FF13PA230UNR	230 V a.c.	50/60	0.128/0.110	19/18	110/135	100/120	40.0/44.0	-10 + +55	CE; cURus; cCSAus; cULus

data with uncertainty of 15%