



CROMPTON INSTRUMENTS CURRENT TRANSFORMERS



CONTENTS

- Tape Wound Measuring and Protection Current Transformers 2
- MR Series Measuring Range 3
- PR Series Protection Range 4
- Class PX Current Transformers..... 5
- Miniature Current Transformers 6
- Moulded Case Current Transformers 6

- Split Core Current Transformers..... 7
- Miniature Split Core Current Transformers..... 9

- 3-in-1 Current Transformers..... 11
- DIN-rail Enclosure 3-in-1 Current Transformers 12
- Dual Load 3-in-1 Current Transformers 13
- Q2C 3-in-1 Current Transformers..... 14

- Ebony Moulded Case Current Transformers..... 15
- Moulded Case CT Range Overview 23-24

- RS Current Transformers 25
- AS Series Current Transformers 26-29

MR SERIES MEASURING RANGE



Features

- Available in a wide range of transformer ratings
- Accuracy up to Class 0.5
- Measuring or protective types

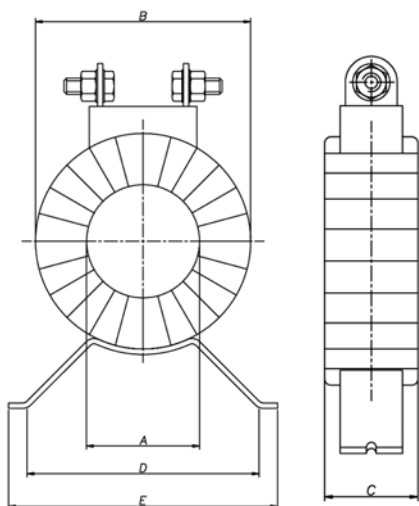
Benefits

- Long product life

Applications

- Switchgear
- Control panels
- Overload protection
- Control devices

Dimensions



* Thermal current (Ith) & dynamic current (Idyn).

Ith is the highest primary current (effective value), the Idyn is the highest primary current (peak value) that the CT can support for 1 second without damage, owing to excessive overloads with secondary short circuits.

A comprehensive range of measuring ring current transformers for installation where reliability, accuracy and quality are required.

Construction

High grade silicon iron cores are carefully selected, then insulated and protected by a polypropylene covering on which the secondary winding is toroidally wound by precision winding machines. Multi layers of polyester and PVC are then applied to provide a tough moisture resistant coating.

Specifications

System voltage:	720V maximum
Test voltage:	3kV for 1 minute
System frequency:	50/60Hz
Overload withstand:	1.2 x rated current continuously
Short circuit thermal	60 x rated primary current for 1 second current (Ith)*:
Dynamic current (Idyn)*:	= 2.55 x Ith
Service temperature:	-20°C to 70°C
Secondary current:	5A or 1A
Complies with:	IEC60044-1, BSEN60044-1
Saturation coefficient:	<6
Humidity:	Up to 95% RH (non condensing)
Insulation class:	BSEN60085 Class Y
Mounting hardware:	Foot mounted

Loss in copper wires between instrument and CT for 5A secondary

Wire section in mm ²	Loss in VA (for both wires)					
	1m	2m	4m	6m	8m	10m
1.5	0.60	1.19	2.38	3.57	4.76	5.95
2.5	0.36	0.71	1.43	2.14	2.86	3.57
4	0.22	0.45	0.89	1.34	1.79	2.23
6	0.15	0.30	0.60	0.89	1.19	1.49
10	0.09	0.18	0.36	0.54	0.71	0.89

Loss in copper wires between instrument and CT for 1A secondary

Wire section in mm ²	Loss in VA (for both wires)					
	10m	20m	40m	60m	80m	100m
1	0.36	0.71	1.43	2.14	2.86	3.57
1.5	0.24	0.48	0.95	1.43	1.90	2.38
2.5	0.14	0.29	0.57	0.86	1.14	1.43
4	0.09	0.18	0.36	0.54	0.71	0.89
6	0.06	0.12	0.24	0.36	0.48	0.60
10	0.04	0.07	0.14	0.21	0.29	0.36

MR SERIES MEASURING RANGE



MR transformers are used to accurately measure high alternating primary currents, converting the primary current into a proportional secondary current as required for measurement and instrumentation. They are available in 5 amp or 1 amp secondary versions.

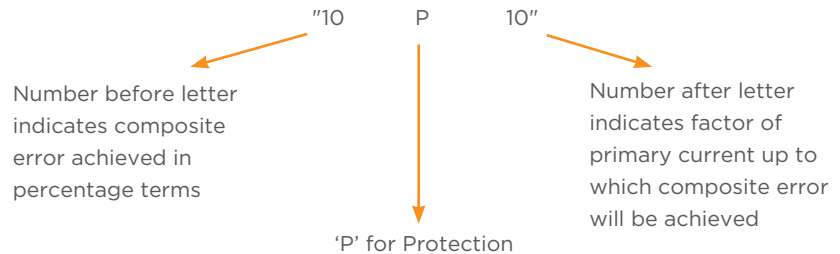
Part number	Ratio range	Class 3	Class 1	Class 0.5	A	B	C	D	Approx. weight
MR-28-40/5A	40/5	1.5	-	-	28	70	40	77.5	0.5
MR-28-50/5A	50/5	2	-	-	28	70	40	77.5	0.5
MR-28-60/5A	60/5	2.5	-	-	28	70	40	77.5	0.5
MR-28-40/1A	40/1	1.5	-	-	22	60	50	70	0.5
MR-28-50/1A	50/1	2	-	-	22	60	40	70	0.5
MR-28-60/1A	60/1	2.5	-	-	22	60	40	70	0.5
MR-42-80/5A	80/5	1.5	-	-	42	80	30	86	0.5
MR-42-100/5A	100/5	3.75	1.25	-	42	80	30	86	0.5
MR-42-150/5A	150/5	5	2.5	1	42	80	30	86	0.5
MR-42-200/5A	200/5	7.5	5	2.5	42	80	30	86	0.5
MR-42-250/5A	250/5	10	5	2.5	42	80	30	86	0.5
MR-42-80/1A	80/1	1.5	-	-	40	72	26	70	0.5
MR-42-100/1A	100/1	5	1.5	-	40	72	45	70	0.5
MR-42-150/1A	150/1	5	3	-	40	72	40	70	0.5
MR-42-200/1A	200/1	7.5	5	3	40	72	40	70	0.5
MR-42-250/1A	250/1	10	7.5	2.5	40	72	40	70	0.5
MR-45-300/5A	300/5	10	7.5	3.75	45	80	30	86	0.5
MR-45-400/5A	400/5	15	7.5	5	45	80	30	86	0.5
MR-45-300/1A	300/1	10	10	5	45	83	32	100	0.5
MR-45-400/1A	400/1	15	10	5	45	83	32	100	0.5
MR-60-400/5A	400/5	15	7.5	5	60	100	30	86	0.5
MR-60-500/5A	500/5	15	10	5	60	100	30	86	0.5
MR-60-600/5A	600/5	20	10	7.5	60	100	30	86	0.5
MR-60-400/1A	400/1	15	7.5	5	58	100	30	100	0.5
MR-60-500/1A	500/1	20	15	5	58	100	32	100	0.5
MR-60-600/1A	600/1	20	15	10	58	100	32	100	0.
MR-85-800/5A	800/5	20	10	7.5	85	124	30	86	0.5
MR-85-1000/5A	1000/5	30	15	10	85	124	30	86	1
MR-85-1200/5A	1200/5	30	15	10	85	124	30	86	1
MR-85-1500/5A	1500/5	30	15	10	85	124	30	86	1
MR-85-1600/5A	1600/5	30	15	10	85	124	30	86	1
MR-85-800/1A	800/1	20	15	10	84	122	30	100	0.5
MR-85-1000/1A	1000/1	25	20	15	94	135	30	100	1
MR-85-1200/1A	1200/1	25	20	15	94	135	30	100	1
MR-85-1500/1A	1500/1	25	20	15	94	135	30	100	1
MR-85-1600/1A	1600/1	25	20	15	94	135	30	100	1
MR-125-2000/5A	2000/5	30	20	15	125	160	30	86	1
MR-125-2500/5A	2500/5	30	20	15	125	160	30	86	-
MR-125-3000/5A	3000/5	30	20	15	125	160	30	86	1
MR-125-4000/5A	4000/5	30	20	15	125	160	30	86	1
MR-125-2000/1A	2000/1	25	20	15	132	175	30	150	1.5
MR-125-2500/1A	2500/1	25	20	15	132	175	30	150	1.5
MR-125-3000/1A	3000/1	25	20	15	125	180	32	150	1.5
MR-125-4000/1A	4000/1	25	20	15	140	215	45	150	4.5

PR SERIES PROTECTION RANGE



IEC60044-1/BSEN60044-1 commonly define protection current transformers in terms of composite error at an accuracy limit factor. In simple terms this means how accurate the current transformer will remain when the primary current flowing is many times higher than in normal conditions i.e. in a fault situation.

The classification of protection current transformers follows the following simple formula:



Manufacturers of protection devices will normally specify the classification for the protection current transformer intended to operate the particular protection device concerned.

In addition the classification of protection current transformers indicates accuracy class: 5P - current transformer will have a ratio error of 1% and phase error not exceeding 60 minutes. 10P - current transformer will have a ratio error of 3% (no level of phase error specified).

The PR series is a range of two of the most popular classifications of protection current transformers, 5P10 and 10P10. Other classifications are possible (such as 5P20 or 10P20). Please consult factory for a quotation should you require an alternative classification or a current transformer with dimensions different to those set out below.

Part number	Ratio range	VA burden	Accuracy class	A	B	C	D	Approx. weight
PR-35-100/5A-2.5	100/5	2.5	10P10	35	98	60	100	2
PR-35-100/5A-5	100/5	5	10P10	35	98	90	100	3
PR-35-120/5A-2.5	120/5	2.5	10P10	35	98	55	100	2
PR-35-120/5A-5	120/5	5	10P10	35	98	85	100	3
PR-35-150/5A-2.5	150/5	2.5	5P10 & 10P10	35	98	50	100	1.5
PR-35-150/5A-5	150/5	5	5P10 & 10P10	35	98	70	100	2.5
PR-35-200/5A-2.5	200/5	2.5	5P10 & 10P10	35	98	40	100	1
PR-35-200/5A-5	200/5	5	5P10 & 10P10	35	98	60	100	2
PR-35-250/5A-2.5	250/5	2.5	5P10 & 10P10	35	98	35	100	1
PR-35-250/5A-5	250/5	5	5P10 & 10P10	35	98	55	100	1.5
PR-55-300/5A-5	300/5	5	5P10 & 10P10	55	98	75	100	1.5
PR-55-300/5A-15	300/5	15	5P10 & 10P10	55	125	90	100	4
PR-55-400/5A-5	400/5	5	5P10 & 10P10	55	98	60	100	1.5
PR-55-400/5A-15	400/5	15	5P10 & 10P10	55	125	65	100	3
PR-55-500/5A-5	500/5	5	5P10 & 10P10	55	98	55	100	1
PR-55-500/5A-15	500/5	15	5P10 & 10P10	55	125	60	100	2.5
PR-55-600/5A-5	600/5	5	5P10 & 10P10	55	98	50	100	1
PR-55-600/5A-15	600/5	15	5P10 & 10P10	55	125	55	100	2.5
PR-65-800/5A-5	800/5	5	5P10 & 10P10	65	110	40	100	1
PR-65-800/5A-15	800/5	15	5P10 & 10P10	65	110	80	100	3
PR-80-1000/5A-15	1000/5	15	5P10 & 10P10	80	125	70	100	2
PR-80-1200/5A-15	1200/5	15	5P10 & 10P10	80	125	65	100	2.5
PR-90-1500/5A-15	1500/5	15	5P10 & 10P10	90	140	55	100	2.5
PR-90-1600/5A-15	1600/5	15	5P10 & 10P10	90	140	55	100	2.5
PR-100-2000/5A-15	2000/5	15	5P10 & 10P10	100	155	55	100	3
PR-110-2500/5A-15	2500/5	15	5P10 & 10P10	110	165	45	100	3
PR-120-3000/5A-15	3000/5	15	5P10 & 10P10	120	180	45	150	3

Consult factory for availability and lead time on 1A secondary for protection range. 1A current transformer dimensions may vary by up to 10%.

CLASS PX CURRENT TRANSFORMERS



In some balanced protection systems where sensitivity and stability levels required are high, classes 5P10 or 10P10 may not be adequate. In these situations a Class PX current transformer will usually be specified. Class PX as defined in IEC60044-1/BSEN60044-1 allows the manufacturer of a protection device to detail more specific requirements of the current transformer so as to achieve a more sensitive protection scheme. Typically this will involve specifying the following information for the current transformer:

- 1) Turns ratio
- 2) Minimum kneepoint voltage
- 3) Maximum secondary resistance
- 4) Maximum excitation current at the rated minimum kneepoint voltage

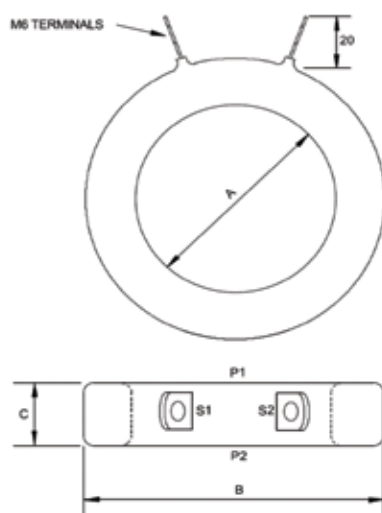
To enquire about Class PX current transformers consult the factory with the above information together with any physical limiting dimensions and the aperture size required. If not all the above information is available, details of relay type, lead run from current transformer to relay and the fault current expected to flow through the zone protected by the current transformers will be required in order to provide a quotation.

Specifications

System voltage:	720V maximum
Test voltage:	3kV for 1 minute
System frequency:	50/60Hz
Service temperature:	-20°C to 70°C
Humidity:	Up to 95% RH (non condensing)
Insulation class:	BS2757 Class Y
Compliant with:	Ring Type CT BSEN60044-1:1999

Part number	Ratio	Class	Vk	Ω at 75°C	Dimensions		
					A	B	C
81X-9412-501388	800/5	PX	52	0.35	65	135	65
81X-9412-501795	1000/5	PX	62	0.31	80	150	65
81X-9412-501802	1250/5	PX	85	0.45	90	160	65
81X-9412-501928	1600/5	PX	80	0.44	120	190	50
81X-9412-501386	1600/5	PX	72	0.5	123	188	49
81X-9412-501902	2500/5	PX	112	0.6	120	192	52
81X-9412-216148	2500/5	PX	124	0.78	119	191	52
81X-9412-501384	2500/5	PX	112	0.8	119	191	52
81X-9412-501948	2500/5A	PX	130	0.65	120	205	65
81X-9412-501949	2000/5A	PX	118	0.58	115	195	65
81X-9412-501950	1600/5A	PX	110	0.45	75	185	75

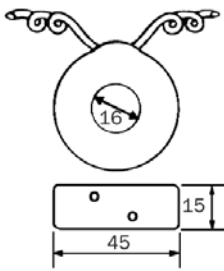
Dimensions



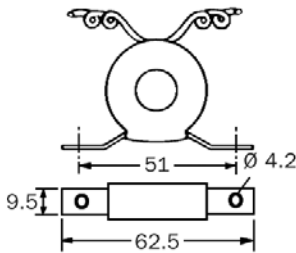
MINIATURE CURRENT TRANSFORMERS



Ring type (P)



Foot mounting option (F)



A range of Wedding ring Miniature Tape wound Current transformers whose size permits PCB mounting. Designed to convert high currents to low level electronic signals. Available in tape wound with ring or foot mounting versions or in a moulded case.

Specifications

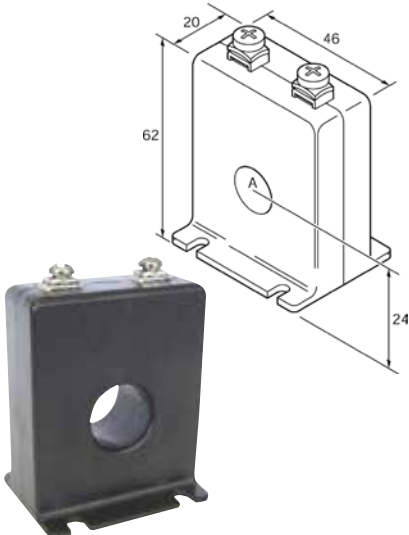
Primary current range:	10A-100A
Secondary output:	10mA-100mA
VA output:	0.015VA-0.15VA
System frequency:	50/60Hz
Service temperature:	0°C to + 80°C
Insulation class:	BSEN60085 Class Y
Operating voltage:	720V AC
Operating voltage:	720V AC
Test voltage:	2kV DC
Test voltage:	2kV DC
20-80%:	1.5%
81-120%:	1%

Part number	Ratio range	Type
773-01-P-FL	10A-100A/10mA-100mA	Ring type, flexible lead 150mm
773-02-P-FL	10A-100A/10mA-100mA	Ring type, flexible lead 450mm
773-01-F-FL	10A-100A/10mA-100mA	Ring type, foot mounting, flexible lead 150mm

MOULDED CASE (MC)

Dimensions

A = 16mm transformer ratings
 Fixing centres 30mm x 30mm
 M3.5 terminal screw and clamp



Specifications

Service temperature:	-20°C to + 85°C
Insulation class:	BSEN60085 Class Y

Part number	Ratio range	Type
773-01-MC	10A-100A/10mA-100mA	Moulded case

SC SERIES SPLIT CORE CURRENT TRANSFORMERS



Features

- High quality comprehensive measurements
- Available in a wide range of transformer ratings
- Accuracy up to Class 0.5
- Foot or busbar mounted

Benefits

- Faster installation
- Cost effective
- Long product life

Applications

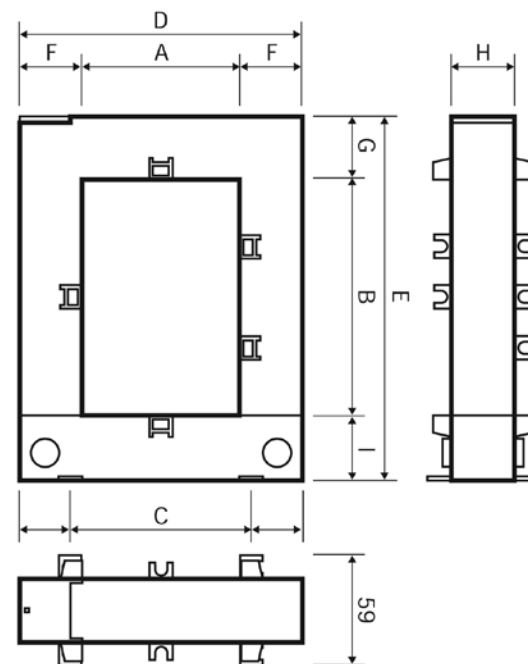
- Switchgear
- Distribution systems
- Generator sets
- Control panels

A range of split core current transformers that offers a cost effective and efficient method by which the current can be measured without the need to break the conductor, thereby reducing installation and commissioning time.

Specifications

System voltage:	720V (0.72kV) maximum
Test voltage:	3kV for 1 minute
System frequency:	50/60Hz
Insulation class:	E
Overload withstand:	1.2 times rated current continuously
Short circuit thermal:	100 x rated primary for 1 second
Operating temperature:	-20°C to +70°C
Relative humidity:	0-90% (non condensing)
Compliant with:	IEC/EN60044-1, BS7626
Accuracy:	Class 3, 1 & 0.5
Mounting hardware:	Plug-in metal feet for wall or base mounting or moulded busbar mounting
Rated dynamic current:	= 2.55 x I _{ht}
Enclosure:	Flame retardant grade classified UL 94V-O

Dimensions



Model	Case 1	Case 2	Case 3	Case 4	Case 5
A	20	50	80	80	80
B	30	80	80	120	160
C	51	78	108	108	120
D	89	114	144	144	184
E	111	145	145	185	245
F	34	32	32	32	52
G	47	32	32	32	52
H	40	32	32	32	52
I	32	33	33	33	38
Weight (Kg)	0.75	0.90	1.05	1.25	4.30

Product Codes

	Part number	Ratio	Burden VA against class index			Aperture (mm)
			0.5	1	3	
Case 1	SC1-100/5A	100/5A	-	-	1.5	20 x 30
	SC1-150/5A	150/5A	-	-	2	20 x 30
	SC1-200/5A	200/5A	-	1.5	2.5	20 x 30
	SC1-250/5A	250/5A	-	2	4	20 x 30
	SC1-300/5A	300/5A	1.5	4	6	20 x 30
	SC1-400/5A	400/5A	2.5	6	10	20 x 30
Case 2	SC2-250/5A	250/5A	1	2	4	50 x 80
	SC2-300/5A	300/5A	1.5	3	6	50 x 80
	SC2-400/5A	400/5A	1.5	3	10	50 x 80
	SC2-500/5A	500/5A	2.5	5	15	50 x 80
	SC2-600/5A	600/5A	2.5	5	15	50 x 80
	SC2-750/5A	750/5A	3	6	20	50 x 80
	SC2-800/5A	800/5A	3	7.5	20	50 x 80
	SC2-1000/5A	1000/5A	5	10	20	50 x 80
	SC3-250/5A	250/5A	1	2	4	80 x 80
	SC3-300/5A	300/5A	1.5	3	6	80 x 80
Case 3	SC3-400/5A	400/5A	1.5	3	10	80 x 80
	SC3-500/5A	500/5A	2.5	5	15	80 x 80
	SC3-600/5A	600/5A	2.5	5	15	80 x 80
	SC3-750/5A	750/5A	3	6	20	80 x 80
	SC3-800/5A	800/5A	3	7.5	20	80 x 80
	SC3-1000/5A	1000/5A	5	10	20	80 x 80
	SC4-500/5A	500/5A	-	4	12.5	80 x 120
Case 4	SC4-600/5A	600/5A	-	5	15	80 x 120
	SC4-750/5A	750/5A	2.5	6	17.5	80 x 120
	SC4-800/5A	800/5A	3	7.5	20	80 x 120
	SC4-1000/5A	1000/5A	5	10	20	80 x 120
	SC4-1200/5A	1200/5A	6	12.5	25	80 x 120
	SC4-1250/5A	1250/5A	7.5	15	30	80 x 120
	SC4-1500/5A	1500/5A	8	17	30	80 x 120
	SC4-1600/5A	1600/5A	8	17	30	80 x 120
	SC5-1000/5A	1000/5A	10	15	20	80 x 160
	SC5-1250/5A	1250/5A	10	15	20	80 x 160
Case 5	SC5-1500/5A	1500/5A	15	20	25	80 x 160
	SC5-2000/5A	2000/5A	15	20	25	80 x 160
	SC5-2500/5A	2500/5A	15	20	25	80 x 160
	SC5-3000/5A	3000/5A	20	25	30	80 x 160
	SC5-4000/5A	4000/5A	20	25	30	80 x 160
	SC5-5000/5A	5000/5A	20	25	30	80 x 160
	SC5-6000/5A	6000/5A	20	25	30	80 x 160

MINIATURE SPLIT CORE CURRENT TRANSFORMERS



Features

- Cost effective moulded case
- Ratio's ranging from 60/1 to 500/5
- Fast cable clamp connection
- Multiple fixing options
- Safety plug in shorting link

Benefits

- Faster installation
- Compact size profile applications

Accessories



Shorting link for safe installation, (CT will not operate until removed).



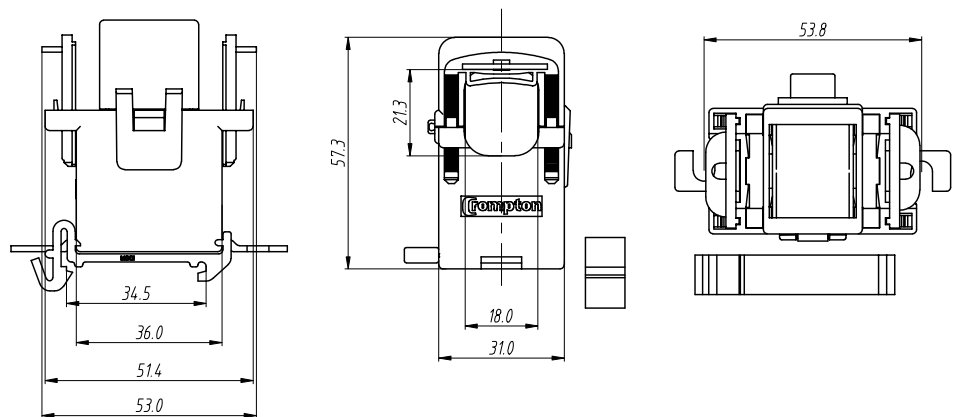
Fixing kit supplied

A range of miniature split core current transformers that offers a cost effective and efficient method by which the current can be measured without the need to break the conductor, each current transformer is supplied with colour coded leads of up to 3 meters for connection to the monitoring device. The MSC range of current transformers offers primary currents between 60-500A with 1 or 5A secondaries with class 1 accuracy performance. (Class 3 for 60-80A range).

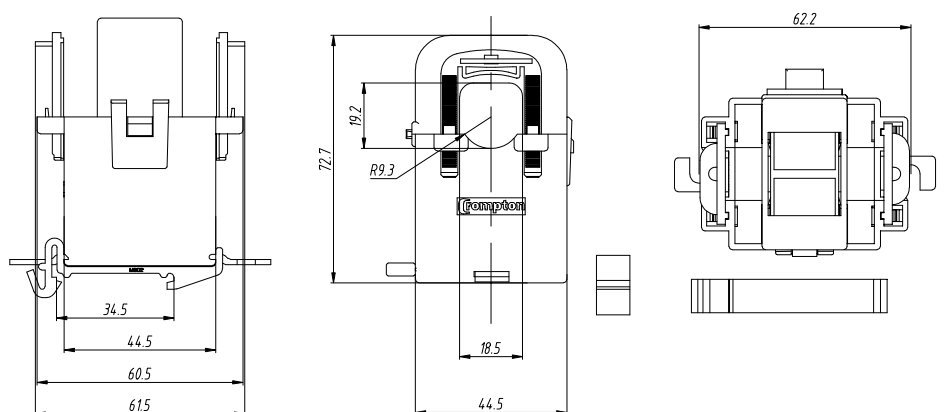
Specifications

System voltage	720V maximum
Test voltage	3kV for 1 minute
System frequency	50Hz or 60Hz
Primary ratings	60A to 500A
Short circuit thermal current	60 x rated primary current (Ith): for 1 sec
Overload withstand	1.2 x rated current continuously
Rated dynamic current	= 2.55 x Ith
Secondary leads	1A, (Length 3m), 5A (Length 1m) 2.5mm Wire
Enclosure	Flame retardant grade classified UL 94V-0
Aperture holes centres	18mm up to 250A, 28mm from 300A - 500A
Operating temperature	-20°C to +70°C
Accuracy Class	1, 3
Compliant with	IEC/EN 60044-1

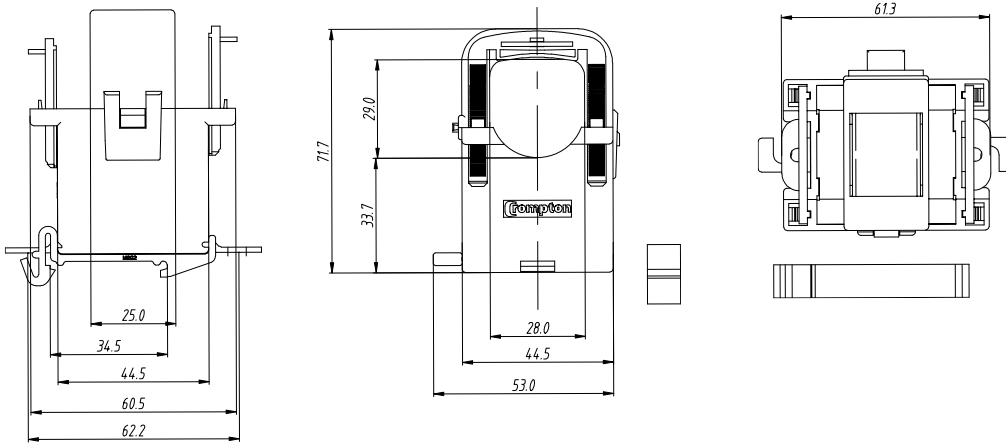
MSC1



MSC2



MSC3



Product Codes

Part number	Ratio	Class	Burden VA	Aperture	Lead length	Case	Wire colour	Approx. weight
MSC1-60/1	60/1	3	0.1	18mm	3m	Size 1	White S1 and Black S2	57.3, 31, 53, 18
MSC1-75/1	75/1	3	0.1	18mm	3m	Size 1	White S1 and Black S2	57.3, 31, 53, 18
MSC1-80/1	80/1	3	0.15	18mm	3m	Size 1	White S1 and Black S2	57.3, 31, 53, 18
MSC1-100/1	100/1	1	0.2	18mm	3m	Size 1	White S1 and Black S2	57.3, 31, 53, 18
MSC2-100/1	100/1	1	1	18mm	3m	Size 2	White S1 and Black S2	72.7, 44.5, 61.5, 18
MSC2-100/5	100/5	1	1	18mm	1m	Size 2	White S1 and Black S2	72.7, 44.5, 61.5, 18
MSC2-150/1	150/1	1	1	18mm	3m	Size 2	White S1 and Black S2	72.7, 44.5, 61.5, 18
MSC2-150/5	150/5	1	1	18mm	1m	Size 2	White S1 and Black S2	72.7, 44.5, 61.5, 18
MSC2-200/1	200/1	1	1	18mm	3m	Size 2	White S1 and Black S2	72.7, 44.5, 61.5, 18
MSC2-200/5	200/5	1	1	18mm	1m	Size 2	White S1 and Black S2	72.7, 44.5, 61.5, 18
MSC2-250/1	250/1	1	1	18mm	3m	Size 2	White S1 and Black S2	72.7, 44.5, 61.5, 18
MSC2-250/5	250/5	1	1	18mm	1m	Size 2	White S1 and Black S2	72.7, 44.5, 61.5, 18
MSC3-300/1	300/1	1	1.5	28mm	3m	Size 3	White S1 and Black S2	71.7, 44.5, 62.2, 28
MSC3-300/5	300/5	1	1.5	28mm	1m	Size 3	White S1 and Black S2	71.7, 44.5, 62.2, 28
MSC3-400/1	400/1	1	2.5	28mm	3m	Size 3	White S1 and Black S2	71.7, 44.5, 62.2, 28
MSC3-400/5	400/5	1	2.5	28mm	1m	Size 3	White S1 and Black S2	71.7, 44.5, 62.2, 28
MSC3-500/1	500/1	1	2.5	28mm	3m	Size 3	White S1 and Black S2	71.7, 44.5, 62.2, 28
MSC3-500/5	500/5	1	2.5	28mm	1m	Size 3	White S1 and Black S2	71.7, 44.5, 62.2, 28



3-IN-1 CURRENT TRANSFORMERS



Features

- Cost effective three-phase moulded case
- Ratio's ranging from 60/5 to 630/5
- Integrated wire sealable terminal cover
- Busbar, DIN-rail and metal feet mounting hardware supplied
- Combined M4 posi/slot screw

Benefits

- Isolated output for safety
- Faster installation
- Compact size
- Ex-stock delivery

Applications

- Switchgear
- Distribution systems
- Generator sets
- Control panels

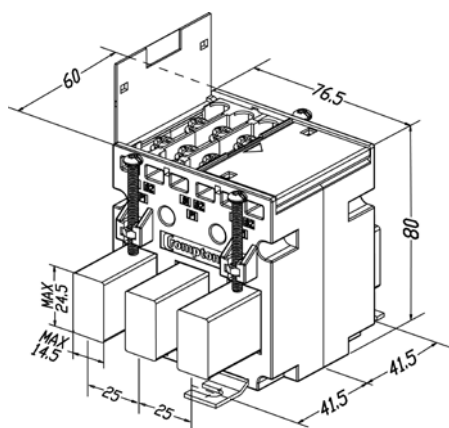
A range of 3-in-1 current transformers combine three traditional current transformers in one moulded case. 3-in-1 current transformers can be directly installed next to a three-phase moulded case circuit breaker, thus saving installation time where fitting three standard individual current transformers would be required. The M3N1 range of current transformers offers primary currents between 60-630A with 5A secondaries with up to Class 0.5 accuracy performance.

Specifications

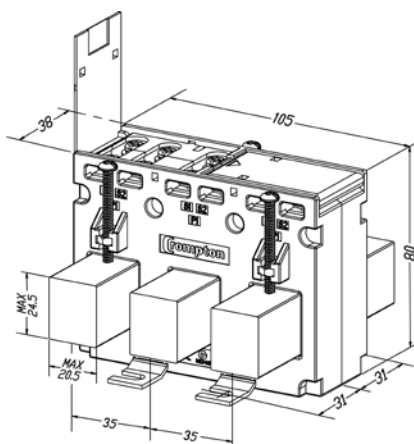
System voltage:	720V maximum
Test voltage:	3kV for 1 minute
System frequency:	50Hz or 60Hz
Primary ratings:	60A to 630A
Short circuit thermal current:	60 x rated primary current (Ith): for 1 sec
Overload withstand:	1.2 x rated current continuously
Rated dynamic current:	= 2.55 x Ith
Secondary terminals:	M4 screw terminals
Enclosure:	Flame retardant grade classified UL 94V-O
Aperture holes centres:	25, 35, 45mm
Operating temperature:	-20°C to +85°C
Accuracy:	Class 0.5, 1, 3
Mounting hardware:	Plug-in metal feet for wall or base mounting Busbar and DIN-rail mounting
Compliant with:	IEC/EN60044-1

Part number	Ratio	Burden VA against class index			Aperture (mm)
		Class 0.5	Class 1	Class 3	
M3N1-25-60/5	60/5	-	1	2	3@14.5 x 24.5mm
M3N1-25-100/5	100/5	-	1.5	2.5	3@14.5 x 24.5mm
M3N1-25-125/5	125/5	-	1.5	2.5	3@14.5 x 24.5mm
M3N1-25-150/5	150/5	1.5	1.5	2.5	3@14.5 x 24.5mm
M3N1-25-160/5	160/5	1.5	1.5	2.5	3@14.5 x 24.5mm
M3N1-35-100/5	100/5	-	1.5	2	3@20.5 x 24.5mm
M3N1-35-125/5	125/5	-	1.5	2.5	3@20.5 x 24.5mm
M3N1-35-150/5	150/5	-	1.5	2.5	3@20.5 x 24.5mm
M3N1-35-160/5	160/5	1.5	1.5	2.5	3@20.5 x 24.5mm
M3N1-35-200/5	200/5	1.5	1.5	2.5	3@20.5 x 24.5mm
M3N1-35-250/5	250/5	1.5	1.5	2.5	3@20.5 x 24.5mm
M3N1-45-250/5	250/5	1.5	1.5	2.5	3@30.5 x 30.5mm
M3N1-45-300/5	300/5	2.5	2.5	3.75	3@30.5 x 30.5mm
M3N1-45-400/5	400/5	2.5	2.5	3.75	3@30.5 x 30.5mm
M3N1-45-500/5	500/5	2.5	2.5	3.75	3@30.5 x 30.5mm
M3N1-45-600/5	600/5	2.5	2.5	3.75	3@30.5 x 30.5mm
M3N1-45-630/5	630/5	2.5	2.5	3.75	3@30.5 x 30.5mm

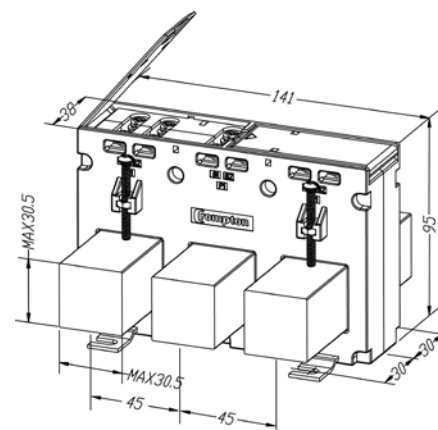
M3N1-25



M3N1-35



M3N1-45



DIN-RAIL ENCLOSURE 3-IN-1 CURRENT TRANSFORMERS



Features

- Cost effective three-phase moulded case
- Ratio's ranging from 50/5 to 250/5
- Two part connector for fast installation
- Complete with cable assembly

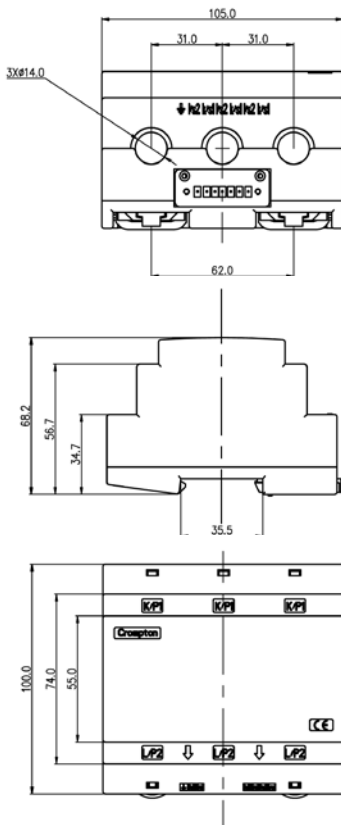
Benefits

- Long product life
- Faster installation
- Compact size

Applications

- Switchgear
- Distribution systems
- Generator sets
- Control panels

DR3N1-50/5A - 150/5A



A range of 3-in-1 current transformers combine three traditional current transformers in one Low profile DIN-rail enclosure. 3-in-1 current transformers can be directly mounted onto a DIN-rail, thus saving installation time where fitting three standard individual current transformers would be required. The 3-in-1 range of current transformers offers primary currents between 50-250A with 5A secondaries with up to class 0.5 accuracy performance.

Specifications

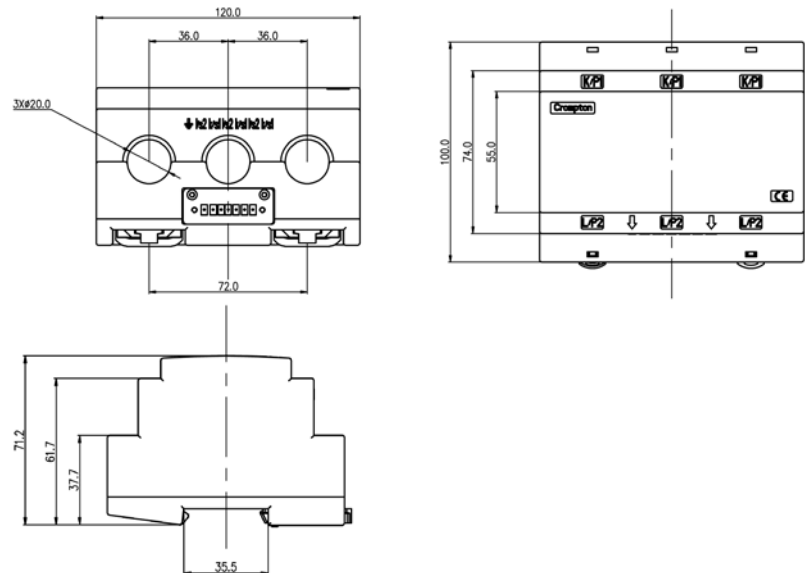
System voltage:	720V maximum
Test voltage:	3kV for 1 minute
System frequency:	50Hz or 60Hz
Primary ratings:	50A to 160A
Short circuit thermal current:	60 x rated primary current (Ith): for 1 sec
Overload withstand:	1.2 x rated current continuously
Rated dynamic current:	= 2.55 x Iht
Secondary terminals:	7 way screw clamp connector
Cable assembly:	Open ended loom/harness CT fixed/open at meter connection, 1mm ² LSZH cable (lengths specified in part number table)
Enclosure:	Flame retardant grade classified UL 94V-O
Aperture holes centres:	31mm (cable through 13.5mm) up to 150A, 36mm (cable through 20mm) from 160-250A
Operating temperature:	-20°C to +85°C
Accuracy Class:	0.5, 1, 3
Compliant with	IEC/EN 60044-1

Part number	Ratio	Class 0.5 VA	Class 1 VA	Class 3 VA	Aperture (mm)	No. of modules	Cable length (M)
DR3N1-50/5	50/5A	-	1	1.5	3@13.5 x 31	6	1
DR3N1-60/5	60/5A	-	1	1.5	3@13.5 x 31	6	1
DR3N1-75/5	75/5A	-	1.5	2	3@13.5 x 31	6	1
DR3N1-80/5	80/5A	-	1.5	2.5	3@13.5 x 31	6	1
DR3N1-100/5	100/5A	2.5	3	3.75	3@13.5 x 31	6	2
DR3N1-125/5	125/5A	2.5	3	3.75	3@13.5 x 31	6	2
DR3N1-150/5	150/5A	2.5	3.75	5	3@13.5 x 31	6	2
DR3N1-160/5	160/5A	1.5	2.5	3.75	3@20 x 36	7	2
DR3N1-180/5	180/5A	2.5	3	3.75	3@20 x 36	7	2
DR3N1-200/5	200/5A	2.5	3.75	5	3@20 x 36	7	2
DR3N1-250/5	250/5A	3.75	5	6.25	3@20 x 36	7	2

Dimensions

Part number	Width	Aperture	Mounting	Number of modules (width)
DR3N1-50/5A-150/5A	105mm	13.5mm	35mm DIN-rail	6 (31mm cable centres)
DR3N1-160/5A-250/5A	120mm	20mm	35mm DIN-rail	7 (36mm cable centres)

DR3N1-160/5A - 250/5A



DUAL LOAD 3-IN-1 CURRENT TRANSFORMERS



Key Features

- Busbar DIN-rail and metal feet (mounting hardware supplied)
- RJ12 socket for fast connection eliminate wiring errors
- Cable included (length 1.5 m)
- Low 60A ratio for more energy efficient loads
- Aperture hole centres 35mm



All Current Transformers are supplied with a 1.5m connecting cable, with RJ12 connector termination at each end.

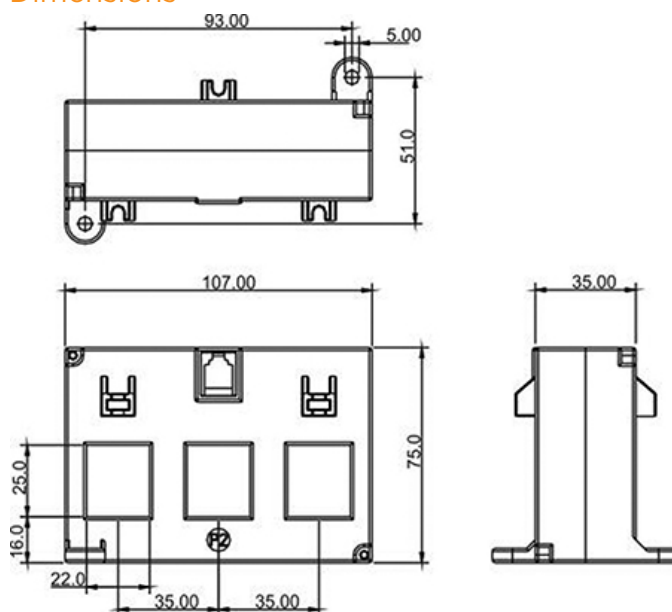


The 3-in-1 current transformer range are for use with the Integra DL1 digital metering system which combines three traditional current transformers in one moulding case with a RJ12 connection for simple and easy error free installation.

Specifications

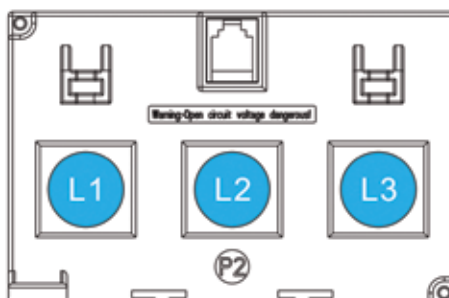
System voltage:	720V maximum
Test voltage:	3kV for 1 minute
System frequency:	50Hz or 60Hz
Primary ratings:	100mA AC rms. per CT
Overload withstand:	1.2 x rated current continuously
Enclosure:	Flame retardant grade classified UL94V-O
Aperture hole centres:	35mm
Operating temperature:	-20°C to +85°C
Compliant with accuracy:	IEC/EN 60044-1 Class 0.5, Class 1

Dimensions



Product Codes	Primary Current	VA at Class 1	VA at Class 0.5
DL3N1-35-60/0.1	60A	0.25	-
DL3N1-35-125/0.1	125A	0.5	0.25
DL3N1-35-160/0.1	160A	0.35	0.25
DL3N1-35-250/0.1	250A	0.5	0.25
DL3N1-45-250/0.1	250A	0.25	-
DL3N1-45-400/0.1	400A	-	0.25
DL3N1-45-600/0.1	600A	-	0.25
DL3N1-70-400/0.1	400A	-	0.25
DL3N1-70-600/0.1	600A	-	0.25
DL3N1-70-800/0.1	800A	-	0.25

Dual Load CT Phase Orientation



Q2C 3-IN-1 CURRENT TRANSFORMERS



Features

- Reversible mounting LHS and RHS
- Internal grounding/earthing facility
- Supplied with connector

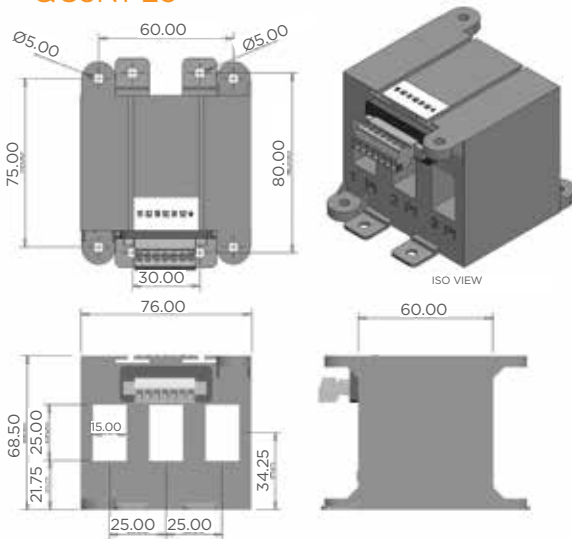
A range of 3-in-1 current transformers for use with or without the Q2C wiring solution. The 3-in-1 current transformers combine three traditional current transformers in one moulded case with a pluggable locking connector for simple and easy installation.

Specifications

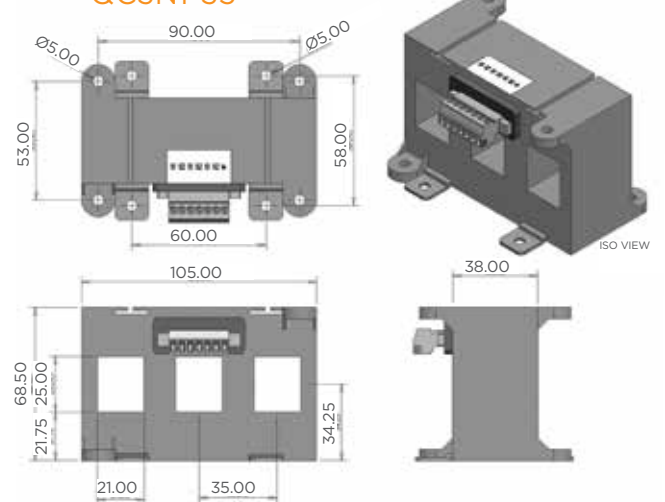
Part number	Ratio	Burden VA against class index			Aperture (mm)
		Class 0.5	Class 1	Class 3	
QC3N1-25-60/5	60/5	-	1	2	3 @ 15x25mm
QC3N1-25-100/5	100/5	-	1.5	2.5	3 @ 15x25mm
QC3N1-25-160/5	160/5	1.5	1.5	2.5	3 @ 15x25mm
QC3N1-35-100/5	100/5	-	1.5	2	3 @ 21x25mm
QC3N1-35-125/5	125/5	-	1.5	2.5	3 @ 21x25mm
QC3N1-35-160/5	160/5	1.5	1.5	2.5	3 @ 21x25mm
QC3N1-35-250/5	250/5	1.5	1.5	2.5	3 @ 21x25mm
QC3N1-45-250/5	250/5	-	2.5VA	-	3 @ 32x27mm
QC3N1-45-400/5	400/5	-	2.5VA	-	3 @ 32x27mm
QC3N1-45-600/5	600/5	2.5VA	5VA	-	3 @ 32x27mm
QC3N1-70-400/5	400/5	-	2.5VA	-	3 @ 52x40mm
QC3N1-70-600/5	600/5	2.5VA	5VA	-	3 @ 52x40mm
QC3N1-70-800/5	800/5	2.5VA	5VA	-	3 @ 52x40mm

Dimensions

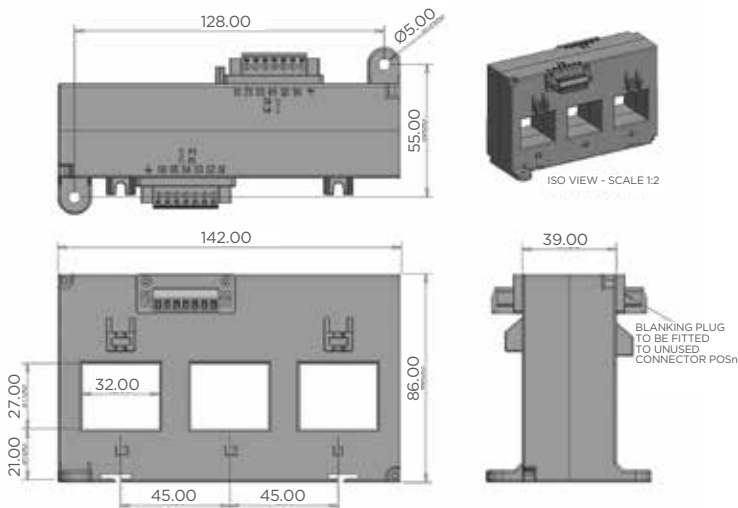
QC3N1-25



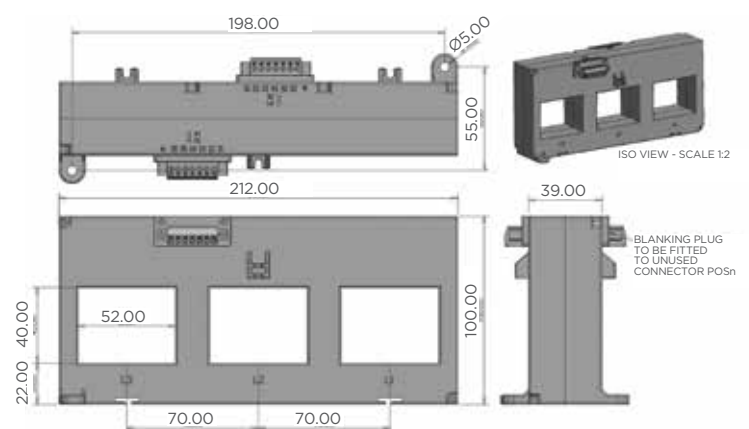
QC3N1-35



QC3N1-45



QC3N1-70



EBONY MOULDED CASE CURRENT TRANSFORMERS



Features

- CT ratios from 1A to 6000A with 5A and 1A secondaries
- Accuracy up to Class 0.5
- Integral terminal cover
- High impact, flame retardant moulded case
- Busbar, DIN-rail or foot mounting options

Benefits

- Wide range of apertures and case sizes
- Reduction of high currents for ease of metering
- Long product life

Applications

- BSEN61010-1
- EN60044-1
- UL Recognized file no: E257877

* Thermal current (I_{th}) & dynamic current (I_{dyn})

I_{th} is the highest primary current (effective value), the I_{dyn} is the highest primary current (Peak Value) that the CT can support for 1 second without damage, owing to excessive overloads with secondary short circuits.

The range of Crompton Instruments Ebony current transformers offers wide system current ratings, apertures, busbar and case sizes to suit every application. Manufactured to meet EN60044 the range benefits include ratio rating from 1/5 to 6000/5, accuracy up to Class 0.5, integral terminal cover for safety and multiple mounting options.

Construction

The toroidal core and secondary winding is encapsulated by a self-extinguishing polycarbonate moulded case cover providing excellent mechanical strength and electrical insulation. The material is halogen free thus reducing risk of halogen emissions in case of fire. The integral covered secondary terminals offer protection to IP20B and the enclosure is protected to IP40.

Installation Options

- Plug-in metal feet for wall or base mounting
- Plastic DIN-rail clips for DIN-rail mounting
- Moulded busbar mounting
- Primary copper busbar mounting
- Multi busbar mounting for two busbars

Specifications

System voltage:	720V maximum
Test voltage:	3kV for 1 minute
System frequency:	50/60Hz
Short circuit thermal current (I _{th})*:	60 x rated primary current for 1 second
Overload withstand:	1.2 x rated current continuously
Dynamic current (I _{dyn})*:	= 2.55 x I _{th}
Saturation coefficient:	<5 for through aperture models <10 for wound primary
Service temperature:	-20°C to 85°C
Insulation class:	Class E BS2757 IEC85
Enclosure code:	IP40
Integral terminal cover:	IP20B
Complies with:	IEC60044-1:2003
Humidity:	Up to 95% RH (non condensing)
Secondary terminals screw clamp:	Up to 10mm ² cable
'Fast On':	6.3mm type

Loss in copper wires between instrument and CT for 5A secondary

Wire section in mm ²	Loss in VA (for both wires)					
	1m	2m	4m	6m	8m	10m
1.5	0.60	1.19	2.38	3.57	4.76	5.95
2.5	0.36	0.71	1.43	2.14	2.86	3.57
4	0.22	0.45	0.89	1.34	1.79	2.23
6	0.15	0.30	0.60	0.89	1.19	1.49
10	0.09	0.18	0.36	0.54	0.71	0.89

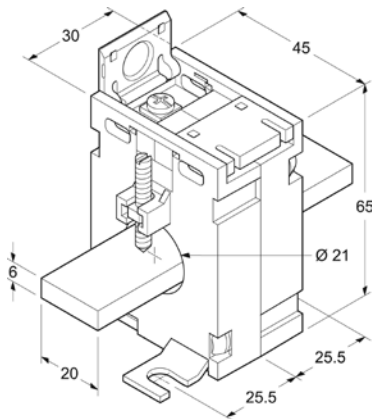
Loss in copper wires between instrument and CT for 1A secondary

Wire section in mm ²	Loss in VA (for both wires)					
	10m	20m	40m	60m	80m	100m
1	0.36	0.71	1.43	2.14	2.86	3.57
1.5	0.24	0.48	0.95	1.43	1.90	2.38
2.5	0.14	0.29	0.57	0.86	1.14	1.43
4	0.09	0.18	0.36	0.54	0.71	0.89
6	0.06	0.12	0.24	0.36	0.48	0.60
10	0.04	0.07	0.14	0.21	0.29	0.36

EBONY MOULDED CASE CURRENT TRANSFORMERS



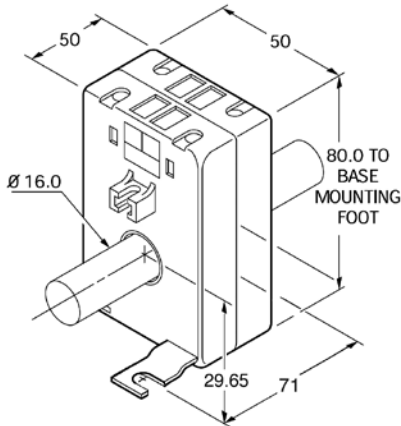
Dimensions



- Mounting feet centres 26mm x 51mm



Dimensions



- Mounting feet centres 33mm x 71mm

M53Q Range

Case Size: 45mm wide x 30mm deep x 65mm high

1.8" wide x 1.2" deep x 2.5" high

Aperture: 20 x 6mm and 21mm diameter

0.8" x 0.2" and 0.8" diameter

Weight: 0.25Kg

Model type	Primary current	VA at Class 3	VA at Class 1
M53Q-50/5	50	1	-
M53Q-60/5	60	1.25	-
M53Q-75/5	75	1.5	-
M53Q-80/5	80	1.25	-
M53Q-100/5	100	2.5	1.5
M53Q-125/5	125	3	2.5
M53Q-150/5	150	3.75	2.5
M53Q-200/5	200	5	3.75
M53Q-250/5	250	-	5
M53Q-300/5	300	7.5	5

Ordering Codes

As above	Change end suffix to depict required secondary. For example: M53Q-50/1
M50-DINCLIP	DIN-rail mounting clip for DIN-rail mounting option (2 required)

M55E Range

Case Size: 50mm wide x 50mm deep x 80mm high

2" wide x 2" deep x 3.1" high

Aperture: 15 x 5mm and 16 diameter

0.6" x 0.2" diameter

Weight: 0.4Kg

Model type	Primary current	VA at Class 3	VA at Class 1
M55E-30/5	30	1.25	-
M55E-40/5	40	2.5	-
M55E-50/5	50	2.5	-
M55E-60/5	60	3.75	2.5
M55E-75/5	75	5	3.75
M55E-80/5	80	5	3.75
M55E-100/5	100	7.5	5

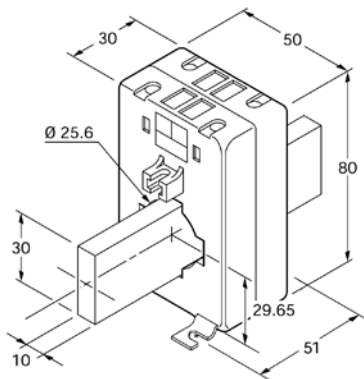
Ordering Codes

As above	Change end suffix to depict required secondary. For example: M55E-50/1
M50-DINCLIP	(2 required)

EBONY MOULDED CASE CURRENT TRANSFORMERS



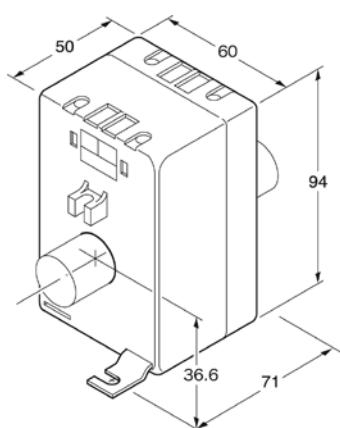
Dimensions



- Mounting feet centres 33mm x 51mm



Dimensions



- Mounting feet centres 42mm x 71mm

M53J Range

Case Size: 50mm wide x 30mm deep x 80mm high
2" wide x 1.2" deep x 3.1" high

Aperture: 30 x 10mm, 25 x 15mm and 20 x 20mm and 25mm diameter
1.2" x 0.4", 1" x 0.6" and 0.8" x 0.8" and 1.0" diameter

Weight: 0.22Kg

Model type	Primary current	VA at Class 3	VA at Class 1
M53J-100/5	100	1.25	-
M53J-125/5	125	1.25	-
M53J-150/5	150	2.5	-
M53J-160/5	160	2.5	-
M53J-200/5	200	2.5	2.5
M53J-250/5	250	3.75	2.5
M53J-300/5	300	5	3.75
M53J-400/5	400	7.5	3.75

Ordering Codes

As above	Change end suffix to depict required secondary. For example: M53J-150/1
M50-DINCLIP	DIN-rail mounting clip for DIN-rail mounting option (2 required)

M65F Range

Case Size: 60mm wide x 50mm deep x 94mm high
2.4" wide x 2" deep x 3.7" high

Aperture: 20 x 10mm and 23mm diameter
0.8" x 0.4", 0.9" diameter

Weight: 0.4Kg

Model type	Primary current	VA at Class 3	VA at Class 1	VA at Class 0.5
M65F-30/5	30	1.25	-	-
M65F-40/5	40	2.5	-	-
M65F-50/5	50	2.5	-	-
M65F-60/5	60	3.75	-	-
M65F-75/5	75	5	2.5	-
M65F-80/5	80	5	2.5	-
M65F-100/5	100	7.5	5	2.5
M65F-125/5	125	7.5	5	2.5
M65F-150/5	150	15	10	5
M65F-200/5	200	20	15	7.5
M65F-250/5	250	20	20	10
M65F-300/5	300	30	30	10

Ordering Codes

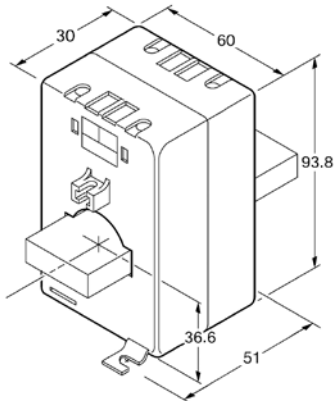
As above	Change end suffix to depict required secondary. For example: M65F-150/1
M50-DINCLIP	DIN-rail mounting clip for DIN-rail mounting option (2 required)

Consult factory for availability and lead time on 1A secondary.

EBONY MOULDED CASE CURRENT TRANSFORMERS



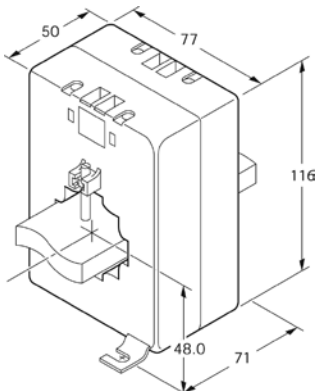
Dimensions



- Mounting feet centres 42mm x 51mm



Dimensions



- Mounting feet centres 58.5mm x 71mm

M63N Range

Case Size: 60mm wide x 30mm deep x 94mm high

2.3" wide x 1.2" deep x 3.7" high

Aperture: 40 x 10mm and 32mm diameter

1.5" x 0.4" and 1.2" diameter

Weight: 0.3Kg

Model type	Primary current	VA at Class 3	VA at Class 1	VA at Class 0.5
M63N-200/5	200	2.5	-	-
M63N-250/5	250	3.75	2.5	-
M63N-300/5	300	5	3.75	-
M63N-400/5	400	7.5	5	-
M63N-500/5	500	10	7.5	3.75
M63N-600/5	600	10	7.5	5
M63N-750/5	750	15	10	7.5
M63N-800/5	800	15	10	7.5

Ordering Codes

As above	Change end suffix to depict required secondary. For example: M53J-150/1
M50-DINCLIP	DIN-rail mounting clip for DIN-rail mounting option (2 required)

MA5G Range

Case Size: 77mm wide x 50mm deep x 116mm high

3" wide x 2" deep x 4.5" high

Aperture: 40 x 10mm, 30 x 30mm and 36mm diameter

1.6" x 0.4", 1.2" x 1.2" and 1.4" diameter

Weight: 0.6Kg

Model type	Primary current	VA at Class 3	VA at Class 1	VA at Class 0.5
MA5G-100/5	100	2.5	-	-
MA5G-125/5	125	5	2.5	-
MA5G-150/5	150	5	3.75	-
MA5G-200/5	200	10	5	2.5
MA5G-250/5	250	10	7.5	5
MA5G-300/5	300	10	7.5	5
MA5G-400/5	400	10	7.5	5
MA5G-500/5	500	10	7.5	5
MA5G-600/5	600	10	10	7.5
MA5G-750/5	750	15	10	10
MA5G-800/5	800	15	10	10
MA5G-1000/5	1000	20	15	15

Ordering Codes

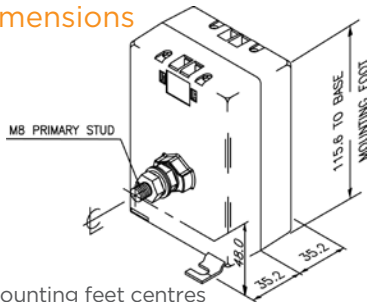
As above	Change end suffix to depict required secondary. For example: MA5G-150/1
M50-DINCLIP	DIN-rail mounting clip for DIN-rail mounting option (2 required)

Consult factory for availability and lead time on 1A secondary.

EBONY MOULDED CASE CURRENT TRANSFORMERS



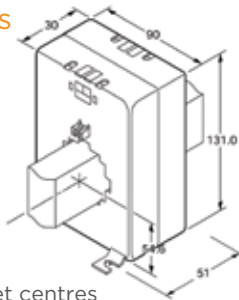
Dimensions



- Mounting feet centres 58.5mm x 71mm



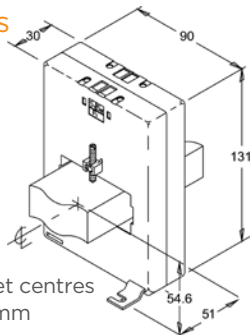
Dimensions



- Mounting feet centres 71.5mm x 51mm



Dimensions



- Mounting feet centres 71.5mm x 51mm

MA5Y Range

Case Size: 77mm wide x 50mm deep x 116mm high

3" wide x 2" deep x 4.5" high

Fixing: M8 stud primary bar

Weight: 0.45Kg

Model type	Primary current	VA at Class 3	VA at Class 1
MA5Y-1/5	1	7.5	5
MA5Y-5/5	5	7.5	5
MA5Y-10/5	10	7.5	5
MA5Y-15/5	15	7.5	5
MA5Y-20/5	20	7.5	5
MA5Y-30/5	30	7.5	5
MA5Y-40/5	40	7.5	5

Ordering Codes

As above	Change end suffix to depict required secondary. For example: MA5Y-1/1
M50-DINCLIP	DIN-rail mounting clip for DIN-rail mounting option (2 required)

M93L Range

Case Size: 90mm wide x 30mm deep x 131mm high

3.5" wide x 1.2" deep x 5.1" high

Aperture: 50 x 10mm, 40 x 30mm and 42mm diameter

2" x 0.4", 1.5" x 1.2" and 1.6" diameter

Weight: 0.45Kg

Model type	Primary current	VA at Class 3	VA at Class 1	VA at Class 0.5
M93L-400/5	400	15	7.5	3.75
M93L-500/5	500	20	15	5
M93L-600/5	600	30	20	10
M93L-750/5	750	20	15	7.5
M93L-800/5	800	20	15	10
M93L-1000/5	1000	20	20	15
M93L-1200/5	1200	30	30	20
M93L-1250/5	1250	30	30	20
M93L-1500/5	1500	30	30	20
M93L-1600/5	1600	30	30	20

Ordering Codes

As above	Change end suffix to depict required secondary. For example: M93L-1000/1
M30-DINCLIP	DIN-rail mounting clip for DIN-rail mounting option (2 required)

M93R Range

Case Size: 90mm wide x 30mm deep x 131mm high

3.5" wide x 1.2" deep x 5.1" high

Aperture: 64 x 12.6mm, 60 x 30mm

2.5" x 0.5", 2.4" x 1.2"

Weight: 0.6Kg

Model type	Primary current	VA at Class 3	VA at Class 1	VA at Class 0.5
M93R	800/5	10	10	5
M93R	1000/5	10	10	7.5
M93R	1200/5	10	15	10
M93R	1250/5	10	15	10
M93R	1500/5	10	20	15
M93R	1600/5	10	20	15
M93R	2000/5	10	20	20

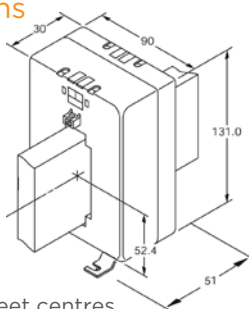
Ordering Codes

As above	Change end suffix to depict required secondary. For example: M93R-1000/1
M30-DINCLIP	DIN-rail mounting clip for DIN-rail mounting option (2 required)

EBONY MOULDED CASE CURRENT TRANSFORMERS



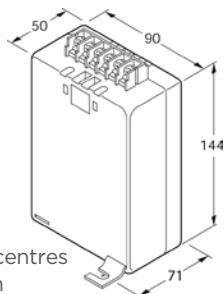
Dimensions



- Mounting feet centres
71.5mm x 51mm



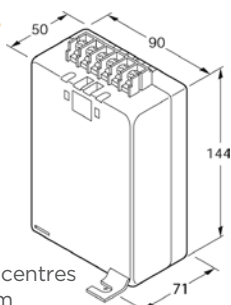
Dimensions



- Mounting feet centres
71.5mm x 71mm



Dimensions



- Mounting feet centres
71.5mm x 91mm

M93S Range

Case Size: 90mm wide x 30mm deep x 131mm high

3.5" wide x 1.2" deep x 5.1" high

Aperture: 76.5 x 19mm, 60 x 30mm

3.0" x 0.7", 2.4" x 1.2"

Weight: 0.7Kg

Model type	Primary current	VA at Class 3	VA at Class 1	VA at Class 0.5
M93S-800/5A	800	10	10	5
M93S-1000/5A	1000	150	10	7.5
M93S-1200/5A	1200	20	15	10
M93S-1250/5A	1250	20	20	15
M93S-1500/5A	1500	20	20	15
M93S-1600/5A	1600	30	20	15
M93S-2000/5	2000	30	20	15

Ordering Codes

As above	Change end suffix to depict required secondary. For example: M93S-1000/1
M50-DINCLIP	DIN-rail mounting clip for DIN-rail mounting option (2 required)

S95P Range

Case Size: 90mm wide x 50mm deep x 144mm high

3.5" wide x 2" deep x 5.7" high

Weight: 0.9Kg - 1.1Kg

Model type	Primary current	VA at Class 1
S95P-5/5	5 + 5 = 5	5
S95P-5/5/5	5 + 5 + 5 = 5	5

Ordering Codes

As above	Change end suffix to depict required secondary. For example: S95P-1/1
M50-DINCLIP	DIN-rail mounting clip for DIN-rail mounting option (2 required)

S97P Range

Case Size: 90mm wide x 50mm deep x 144mm high

3.5" wide x 2" deep x 5.7" high

Weight: 0.9Kg - 1.1Kg

Model type	Primary current	VA at Class 1
S97P-5/5/5/5	5 + 5 + 5 + 5 = 5	5
S97P-5/5/5/5/5	5 + 5 + 5 + 5 + 5 = 5	5
S97P-5/5/5/5/5/5	5 + 5 + 5 + 5 + 5 + 5 = 5	5

Ordering Codes

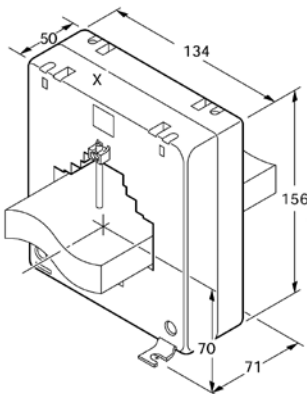
As above	Change end suffix to depict required secondary. For example: S95P-1/1
----------	---

Consult factory for availability and lead time on 1A secondary.

EBONY MOULDED CASE CURRENT TRANSFORMERS



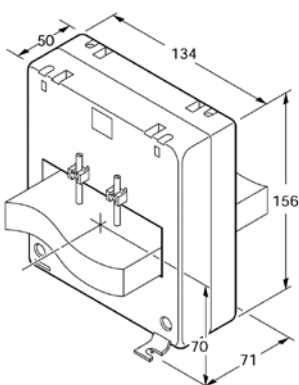
Dimensions



- Mounting feet centres 105mm x 71mm
- Mounting hole centres 110mm x 6.6mm



Dimensions



- Mounting feet centres 105mm x 71mm
- Mounting hole centres 110mm x 6.6mm

MB5D Range

Case Size: 134mm wide x 50mm deep x 156mm high

5.2" wide x 2" deep x 6.1" high

Aperture: 80 x 30mm, 60 x 30mm, 50 X 50mm and 63mm diameter

3.1" x 1.2", 2.3" x 1.2", 2 x 2" and 2.4" diameter

Weight: 0.5Kg

Model type	Primary current	VA at Class 3	VA at Class 1	VA at Class 0.5
MB5D-400/5	400	15	10	7.5
MB5D-500/5	500	20	15	10
MB5D-600/5	600	15	10	5
MB5D-750/5	750	15	10	5
MB5D-800/5	800	20	15	7.5
MB5D-1000/5	1000	22.5	20	10
MB5D-1200/5	1200	30	20	15
MB5D-1250/5	1250	30	20	15
MB5D-1500/5	1500	30	20	15
MB5D-1600/5	1600	40	30	20
MB5D-2000/5	2000	50	40	30

Ordering Codes

As above Change end suffix to depict required secondary. For example: MB5D-1600/1

MB5Z Range

Case Size: 134mm wide x 50mm deep x 156mm high

5.2" wide x 2" deep x 6.1" high

Aperture: 104 x 35mm, 35mm diameter

4" x 1.3" and 1.3" diameter

Weight: 0.7Kg

Model type	Primary current	VA at Class 3	VA at Class 1	VA at Class 0.5
MB5Z-750/5	750	15	7.5	2.5
MB5Z-800/5	800	20	10	2.5
MB5Z-1000/5	1000	22.5	15	7.5
MB5Z-1200/5	1200	30	20	10
MB5Z-1250/5	1250	30	20	15
MB5Z-1500/5	1500	30	20	15
MB5Z-1600/5	1600	30	20	15
MB5Z-2000/5	2000	30	20	15
MB5Z-2400/5	2400	30	20	15
MB5Z-2500/5	2500	30	20	15
MB5Z-3000/5	3000	30	20	15
MB5Z-4000/5	4000	30	20	15

Ordering Codes

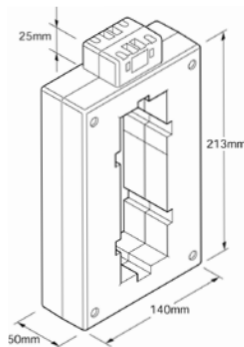
As above Change end suffix to depict required secondary. For example: MB5Z-1600/1

Consult factory for availability and lead time on 1A secondary.

EBONY MOULDED CASE CURRENT TRANSFORMERS



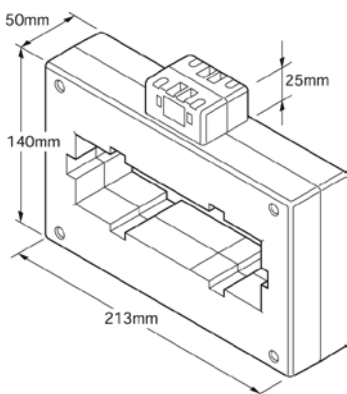
Dimensions



- Hole for M6 diameter screws or busbar mounting



Dimensions



- Hole for M6 diameter screws or busbar mounting

MC5T Range

Case Size: 140mm wide x 50mm deep x 238mm high

5.5" wide x 2" deep x 9.3" high

Aperture: 160 x 50mm

6.3" x 2"

Weight: +/-1.5Kg

Model type	Primary current	VA at Class 3	VA at Class 1	VA at Class 0.5
MC5T-1600/5	1600	45	30	20
MC5T-2000/5	2000	45	30	20
MC5T-2500/5	2500	60	45	30
MC5T-3000/5	3000	60	45	30
MC5T-3200/5	3200	60	45	30
MC5T-4000/5	4000	60	45	30
MC5T-5000/5	5000	60	45	30
MC5T-6000/5	6000	60	45	30

Ordering Codes

As above Change end suffix to depict required secondary. For example: MC5T-1600/1

MD5T Range

Case Size: 213mm wide x 50mm deep x 165mm high

8.3" wide x 2" deep x 6.5" high

Aperture: 160 x 50mm

6.3" x 2"

Weight: +/-1.5Kg

Model type	Primary current	VA at Class 3	VA at Class 1	VA at Class 0.5
MD5T-1600/5	1600	45	30	20
MD5T-2000/5	2000	45	30	20
MD5T-2500/5	2500	60	45	30
MD5T-3000/5	3000	60	45	30
MD5T-3200/5	3200	60	45	30
MD5T-4000/5	4000	60	45	30
MD5T-5000/5	5000	60	45	30
MD5T-6000/5	6000	60	45	30

Ordering Codes

As above Change end suffix to depict required secondary. For example: MD5T-1600/1

Consult factory for availability and lead time on 1A secondary.

EBONY MOULDED CASE CURRENT TRANSFORMERS

Moulded Case Overview Range

Type	MA5Y		M53Q		M55E		M53J		M65F		M63N		MA5G		M93L	
Inside diameter (mm)			21		16.2		25		23		32		36		32	
Busbar	M8 Stud		20x6		15x5		30x10		20x10		40x10		40x10		50x10	
							25x15						30x30		40x30	
							20x20									
Dimensions (mm)																
Height	116		65		80		80		94		94		116		131	
Width	77		45		50		50		60		60		77		90	
Depth	50		30		50		50		50		30		50		30	
DIN-rail mounting	X	X	X	X	X	X	X	X	X	X	X	X	X	X	X	X
Foot mounting	X	X	X	X	X	X	X	X	X	X	X	X	X	X	X	X
Integrated terminal cover	X	X	X	X	X	X	X	X	X	X	X	X	X	X	X	X
Secondary	5	1	5	1	5	1	5	1	5	1	5	1	5	1	5	1
Primary current																
1	X	X														
5	X	X														
10	X	X														
15	X	X														
20	X	X			X	X										
30	X	X			X	X			X	X						
40	X	X			X	X			X	X						
50			X	X	X	X			X	X						
60			X	X	X	X			X	X						
75			X	X	X	X			X	X						
80			X	X	X				X	X						
100			X	X	X	X	X		X	X			X	X		
125			X	X			X		X	X			X	X		
150			X	X			X		X	X			X	X		
160							X									
200			X	X			X		X	X	X	X	X	X		
250			X	X			X		X	X	X	X	X	X		
300			X	X			X		X	X	X	X	X	X		
400							X				X	X	X	X	X	
500											X	X	X	X	X	
600											X	X	X	X	X	
750											X	X	X	X	X	
800											X	X	X	X	X	
1000													X	X	X	
1200															X	
1250																
1500															X	
1600															X	
2000																
2500																
3000																
3200																
4000																
5000																
6000																
5 + 5 = 5																
5 + 5 + 5 = 5																
5 + 5 + 5 + 5 = 5																
5 + 5 + 5 + 5 + 5 = 5																
5 + 5 + 5 + 5 + 5 + 5 = 5																
1 + 1 = 1																
1 + 1 + 1 = 1																
1 + 1 + 1 + 1 = 1																
1 + 1 + 1 + 1 + 1 = 1																
1 + 1 + 1 + 1 + 1 + 1 = 1																

Consult factory for availability and lead time on 1A secondary.

EBONY MOULDED CASE CURRENT TRANSFORMERS

Moulded Case Overview Range

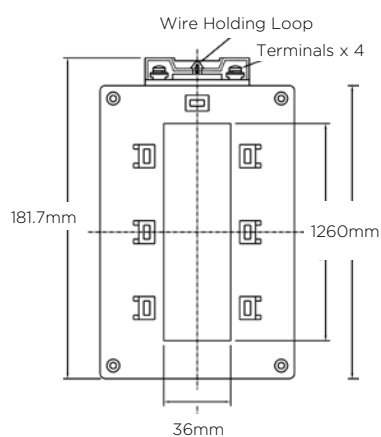
Type	M93S		M93R		MB5D		MB5Z		MC5T		MD5T		S95		S97	
Inside diameter (mm)					63		35									
Busbar	60x30		60x30		80x30		104x35		50x160		160x50					
	76.5x19		64x12.6		60x30											
					50x50											
Dimensions (mm)																
Height	131		131		156		156		238		165		144		144	
Width	90		90		134		134		140		213		90		90	
Depth	30		30		50		50		50		50		50		70	
DIN-rail mounting	X	X	X	X									X	X		
Foot mounting	X	X	X	X	X	X	X	X	X				X	X	X	X
Integrated terminal cover	X	X	X	X	X	X	X	X	X	X	X					
Secondary	5	1	5	1	5	1	5	1	5	1	5	1	5	1	5	1
Primary current																
5																
10																
15																
20																
25																
30																
40																
50																
60																
75																
80																
100																
125																
150																
160																
200																
250																
300																
400					X	X										
500					X	X										
600					X	X										
750					X	X	X	X								
800	X	X	X	X	X	X	X	X	X							
1000	X	X	X	X	X	X	X	X	X							
1200	X	X	X	X	X	X	X	X	X							
1250	X	X	X	X	X	X	X	X	X							
1500	X	X	X	X	X	X	X	X	X							
1600	X	X	X	X	X	X	X	X	X	X	X	X				
2000	X	X	X	X	X	X	X	X	X	X	X	X				
2500							X	X	X	X	X	X				
3000							X	X	X	X	X	X				
4000							X	X	X	X	X	X				
5000								X		X						
6000								X		X						
5 + 5 = 5													X			
5 + 5 + 5 = 5													X			
5 + 5 + 5 + 5 = 5															X	
5 + 5 + 5 + 5 + 5 = 5															X	
5 + 5 + 5 + 5 + 5 + 5 = 5															X	
1 + 1 = 1														X		
1 + 1 + 1 = 1														X		
1 + 1 + 1 + 1 = 1																X
1 + 1 + 1 + 1 + 1 = 1																X
1 + 1 + 1 + 1 + 1 + 1 = 1																X

Consult factory for availability and lead time on 1A secondary.

RS CURRENT TRANSFORMERS



Dimensions



Busbar Mounting RS125

Dimensions: 110mm wide x 62mm deep x 182mm high

4.3" wide x 2.4" deep x 7.2" high

Hole: 126 x 36mm

5" x 1.4"

Weight: 0.6Kg

Ratio range	VA at Class 3	VA at Class 1	VA at Class 0.5	Cat no.	Delivery
800/5	-	30	15	RS125-800/5	C
1000/5	-	30	15	RS125-1000/5	C
1200/5	-	30	15	RS125-1200/5	A
1250/5	-	30	15	RS125-1250/5	A
1500/5	-	30	15	RS125-1500/5	A
1600/5	-	30	15	RS125-1600/5	A
2000/5	-	30	15	RS125-2000/5	A
2500/5	-	30	15	RS125-2500/5	A
3000/5	-	30	15	RS125-3000/5	A
3500/5	-	30	15	RS125-3500/5	A
4000/5	-	30	15	RS125-4000/5	A

AS SERIES CURRENT TRANSFORMERS



Features

- CT ratios from 5/5 to 5000/5A
- Accuracy class 0.2S
- Integral terminal cover
- Busbar, DIN-rail or foot mounting options
- Sealable terminal covers
- Combined M4 posi/slot screw

Benefits

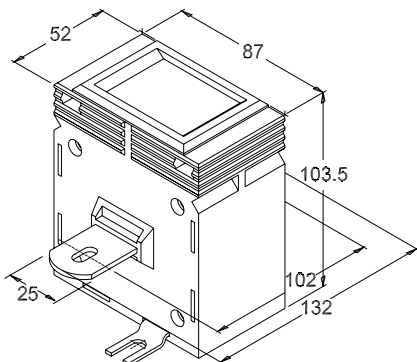
- Wide range of apertures and case sizes
- Reduction of high currents for ease of metering
- Long product life

Applications

- Switchgear
- Distribution systems
- Generator sets
- Control panels



Dimensions



The range of Crompton Instruments AS series moulded case current transformers offers wide system current ratings, apertures and case sizes to suit every application. The range benefits include ratio rating from 5 to 5000/5, accuracy up to class 0.2S, integral terminal cover for safety and multiple mounting options.

Specifications

System voltage:	720V maximum
Test voltage:	3kV for 1 minute
System frequency:	50/60Hz
Short circuit thermal current (I _{th}):	60 x rated primary current for 1 second
Overload withstand:	1.2 x rated primary current
Dynamic current (I _{dyn}):	2.5 x I _{th}
Operating temperature:	-20°C to 50°C
Class:	0.2S
Mounting hardware:	Plug-in metal feet for wall or base mounting Busbar and DIN-rail mounting (included as standard)
Compliant with:	IEC 61869-2
Enclosure	Flame retardant grade classified UL 94V-0
Secondary terminals	M4 screw terminals

AS0 Range

Case Size: 87mm wide x 52mm deep x 103.5mm high
3.4" wide x 2" deep x 4.1" high

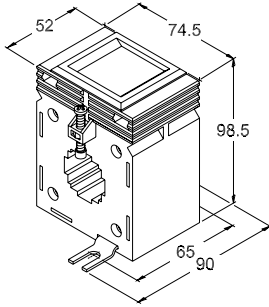
Stub Size: M8

Weight: 0.5Kg

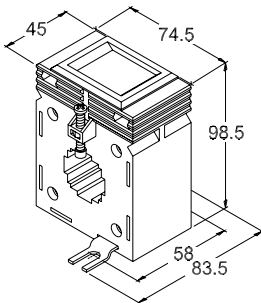
Model number	Ratio (A)	Burden (VA)
		VA at class 0.2S
AS0-5/5A	5/5	5VA
AS0-10/5A	10/5	5VA
AS0-15/5A	15/5	5VA
AS0-20/5A	20/5	5VA
AS0-30/5A	30/5	5VA
AS0-40/5A	40/5	5VA
AS0-50/5A	50/5	5VA
AS0-60/5A	60/5	5VA
AS0-75/5A	75/5	5VA
AS0-80/5A	80/5	5VA
AS0-100/5A	100/5	5VA
AS0-150/5A	150/5	5VA
AS0-200/5A	200/5	7.5VA
AS0-250/5A	250/5	7.5VA
AS0-300/5A	300/5	7.5VA
AS0-400/5A	400/5	7.5VA
AS0-500/5A	500/5	10VA
AS0-600/5A	600/5	10VA
AS0-800/5A	800/5	10VA
AS0-1000/5A	1000/5	10VA



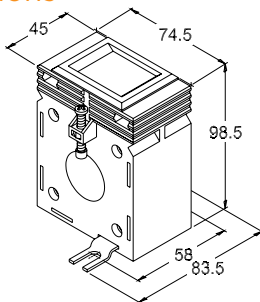
Dimensions



Dimensions



Dimensions



AS1 Range

Case Size: 74.5mm wide x 52mm deep x 98.5mm high
2.9" wide x 2" deep x 3.9" high

Aperture: 31.5 x 11mm, 26 x 21.5mm and 28mm diameter
1.2" x 0.4", 1" x 0.8" and 1.1" diameter

Weight: 0.5Kg

Model number	Ratio (A)	Burden (VA)
		VA at class 0.2S
AS1A-100/5A	100/5	5VA
AS1A-150/5A	150/5	5VA
AS1A-200/5A	200/5	5VA
AS1A-250/5A	250/5	5VA
AS1A-300/5A	300/5	7.5VA

AS1B Range

Case Size: 74.5mm wide x 45mm deep x 98.5mm high
2.9" wide x 1.8" deep x 3.9" high

Aperture: 31.5 x 11mm, 26 x 21.5mm and 28mm diameter
1.2" x 0.4", 1" x 0.8" and 1.1" diameter

Weight: 0.65Kg

Model number	Ratio (A)	Burden (VA)
		VA at class 0.2S
AS1B-100/5A	100/5	3.75VA
AS1B-150/5A	150/5	5VA
AS1B-200/5A	200/5	5VA
AS1B-250/5A	250/5	5VA
AS1B-300/5A	300/5	7.5VA

AS1C Range

Case Size: 74.5mm wide x 45mm deep x 98.5mm high
2.9" wide x 1.8" deep x 3.9" high

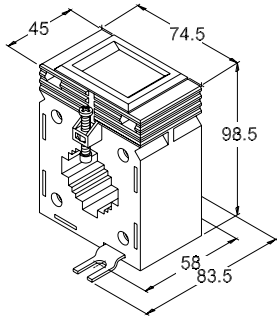
Aperture: 30mm diameter
1.2" diameter

Weight: 0.5Kg

Model number	Ratio (A)	Burden (VA)
		VA at class 0.2S
AS1C-50/5A	50/5	1.5VA
AS1C-60/5A	60/5	1.5VA
AS1C-75/5A	75/5	2.5VA
AS1C-80/5A	80/5	2.5VA
AS1C-100/5A	100/5	3.75VA
AS1C-150/5A	150/5	5VA
AS1C-200/5A	200/5	5VA
AS1C-250/5A	250/5	5VA
AS1C-300/5A	300/5	7.5VA



Dimensions



AS2 Range

Case Size: 74.5mm wide x 45mm deep x 98.5mm high
2.9" wide x 1.8" deep x 3.9" high

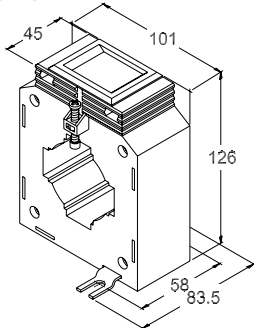
Aperture: 41.5 x 11mm, 31.5 x 21mm, 26.5 x 26.5mm and 33mm diameter
1.6" x 0.4", 1.2" x 0.8", 1" x 1" and 1.3" diameter

Weight: 0.65Kg

Model number	Ratio (A)	Burden (VA)
		VA at class 0.2S
AS2-100/5A	100/5	5VA
AS2-150/5A	150/5	5VA
AS2-200/5A	200/5	5VA
AS2-250/5A	250/5	7.5VA
AS2-300/5A	300/5	7.5VA
AS2-400/5A	400/5	7.5VA
AS2-500/5A	500/5	7.5VA



Dimensions



AS3 Range

Case Size: 101mm wide x 45mm deep x 126mm high
3.9" wide x 1.8" deep x 4.9" high

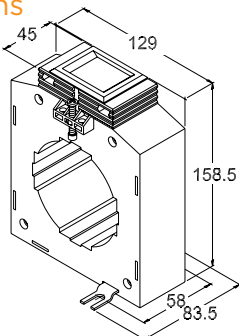
Aperture: 61 x 21mm, 52 x 25mm and 52mm diameter
2.4" x 0.8", 2" x 0.9" and 2" diameter

Weight: 0.65Kg

Model number	Ratio (A)	Burden (VA)
		VA at class 0.2S
AS3-400/5A	400/5	5VA
AS3-500/5A	500/5	7.5VA
AS3-600/5A	600/5	7.5VA
AS3-750/5A	750/5	10VA
AS3-800/5A	800/5	10VA
AS3-1000/5A	1000/5	15VA



Dimensions



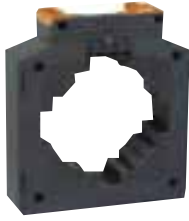
AS4 Range

Case Size: 129mm wide x 45mm deep x 158.5mm high
5.1" wide x 1.8" deep x 6.2" high

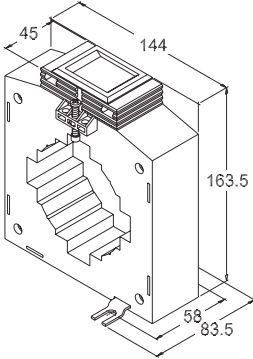
Aperture: 86 x 11mm, 82.5 x 32mm and 82mm diameter
3.4" x 0.4", 3.2" x 1.3" and 3.2" diameter

Weight: 1kg

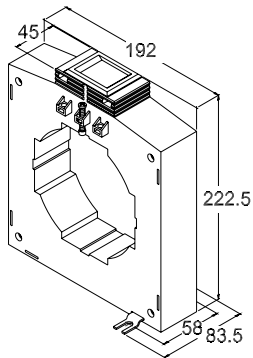
Model number	Ratio (A)	Burden (VA)
		VA at class 0.2S
AS4-750/5A	750/5	10VA
AS4-800/5A	800/5	10VA
AS4-1000/5A	1000/5	12.5VA
AS4-1200/5A	1200/5	15VA
AS4-1500/5A	1500/5	15VA



Dimensions



Dimensions



AS5 Range

Case Size: 144mm wide x 45mm deep x 163.5mm high

5.7" wide x 1.8" deep x 6.4" high

Aperture: 101 x 22mm, 81 x 45mm and 85.5mm diameter

4" x 0.9", 3.2" x 1.8" and 3.4" diameter

Weight: 1kg

Model number	Ratio (A)	Burden (VA)
		VA at class 0.2S
AS5-800/5A	800/5	7.5VA
AS5-1000/5A	1000/5	10VA
AS5-1200/5A	1200/5	15VA
AS5-1500/5A	1500/5	15VA
AS5-1600/5A	1600/5	15VA
AS5-2000/5A	2000/5	20VA
AS5-2500/5A	2500/5	20VA
AS5-3000/5A	3000/5	20VA

AS6 Range

Case Size: 192mm wide x 45mm deep x 222.5mm high

7.6" wide x 1.8" deep x 8.8" high

Aperture: 130.5 x 11mm, 126 x 58mm and 126.5mm diameter

5.1" x 0.4", 4.9" x 2.3" and 5.0" diameter

Weight: 1.2kg

Model number	Ratio (A)	Burden (VA)
		VA at class 0.2S
AS6-1500/5A	1500/5	15VA
AS6-1600/5A	1600/5	15VA
AS6-2000/5A	2000/5	15VA
AS6-2500/5A	2500/5	15VA
AS6-3000/5A	3000/5	20VA
AS6-4000/5A	4000/5	20VA
AS6-5000/5A	5000/5	20VA

About TE Connectivity

TE Connectivity is a global, \$14 billion company that designs and manufactures over 500,000 products that connect and protect the flow of power and data inside the products that touch every aspect of our lives. Our nearly 100,000 employees partner with customers in virtually every industry – from consumer electronics, energy and healthcare, to automotive, aerospace and communication networks – enabling smarter, faster, better technologies to connect products to possibilities.

WHEREVER ELECTRICITY FLOWS, YOU'LL FIND TE ENERGY



crompton-instruments.com

For email or phone, go to:

crompton-instruments.com

FOR MORE INFORMATION: TE Technical Support Centres

UK +44 1376 509 533

USA: +1 800 327 6996

Australia +61 1300 656 090

Singapore +65 6590 5151

Hong Kong: +852 2790 9609

crompton-instruments.com

© 2015 TE Connectivity Ltd. family of companies. All Rights Reserved. EPP-2044-07/15

TE Connectivity and the TE connectivity (logo) are trademarks of the TE Connectivity Ltd. family of companies. Other logos, product and Company names mentioned herein may be trademarks of their respective owners. While TE has made every reasonable effort to ensure the accuracy of the information in this brochure, TE does not guarantee that it is error-free, nor does TE make any other representation, warranty or guarantee that the information is accurate, correct, reliable or current. TE reserves the right to make any adjustments to the information contained herein at any time without notice. TE expressly disclaims all implied warranties regarding the information contained herein, including, but not limited to, any implied warranties of merchantability or fitness for a particular purpose. The dimensions in this brochure are for reference purposes only and are subject to change without notice. Specifications are subject to change without notice. Consult TE for the latest dimensions and design specifications.