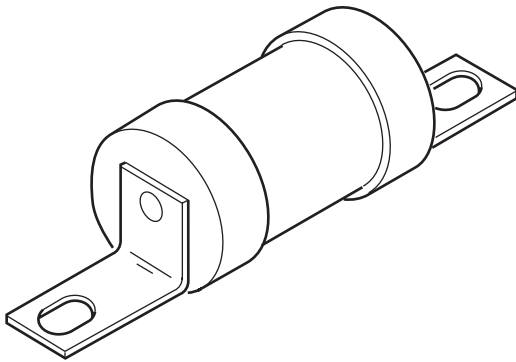


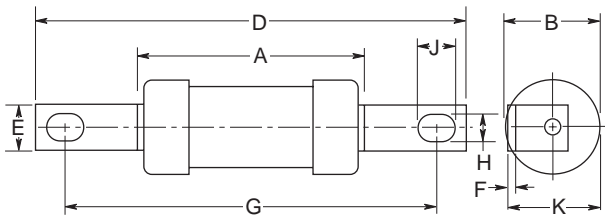
Industrial HRC Fuse

21.4 x 127mm, BS88, IEC 269-1
Center Bolted Tags

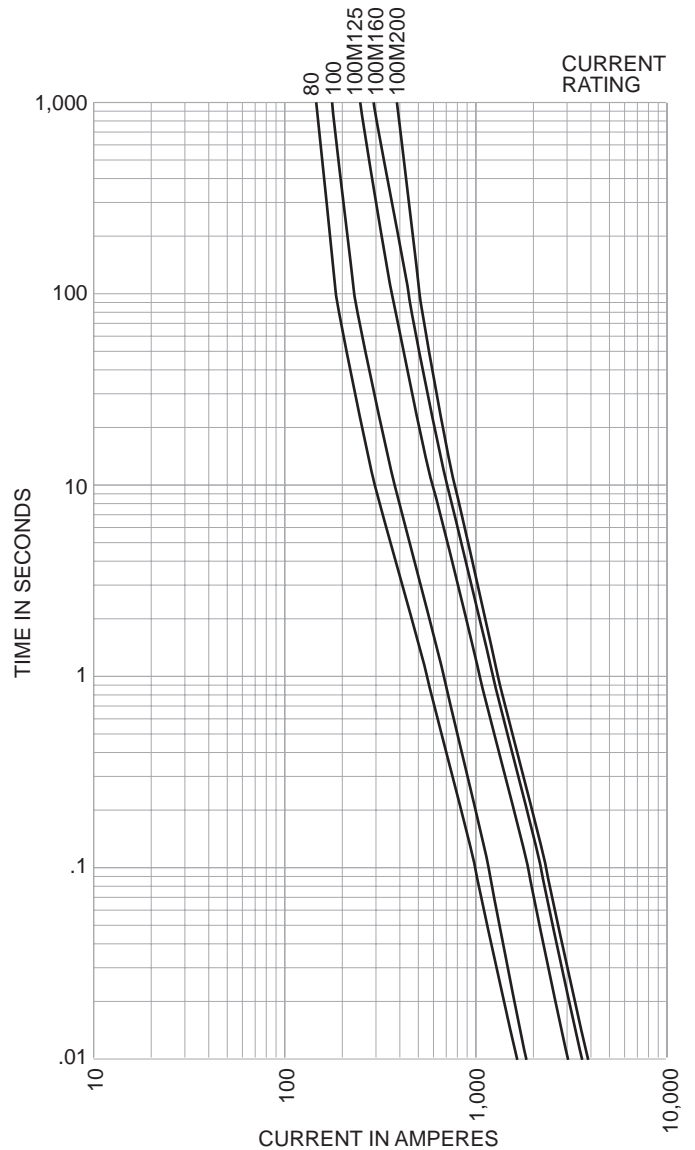


CATALOG SYMBOL: CD
INDUSTRIAL HRC FUSE
CENTER BOLTED TAGS
PACKAGE QUANTITY: 10
80kA INTERRUPTING RATING
MOUNTS IN 200DF FUSEHOLDER

Dimensional Data:



Time-Current Characteristic Curve (Full Size Curves Available)



Electrical Characteristics

Catalog Number	Ampere Rating	I ² T (Amp ² Seconds)			Nom Watts Loss	Rated Voltage	Dimensions (Inches/mm)								
		Pre-Arcing	Total At 415V	Total At 550V			A	B	D	E	F	G	H	J	K
CD80	80	13,000	35,200	50,000	7.2	550AC	58.6	21.0	126.5	14.3	3.2	111.0	8.7	11.1	21.0
CD100	100	25,000	76,500	95,600	8.5		58.0	26.0	126.0	14.3	3.2	110.5	8.7	11.1	26.0
CD100M125	100M125	57,000	150,000	—	11	415AC	47.0	31.0	136.0	19.0	3.2	111.0	9.0	12.5	31.0
CD100M160	100M160	72,500	190,000	—	13										
CD100M200	100M200	120,000	290,000	—	14										

The only controlled copy of this BIF document is the electronic read-only version located on the Bussmann Network Drive. All other copies of this BIF document are by definition uncontrolled. This bulletin is intended to clearly present comprehensive product data and provide technical information that will help the end user with design applications. Bussmann reserves the right, without notice, to change design or construction of any products and to discontinue or limit distribution of any products. Bussmann also reserves the right to change or update, without notice, any technical information contained in this bulletin. Once a product has been selected, it should be tested by the user in all possible applications.