



Safety sensors Extreme

RC Si M30 2Ö - 2m - Niro - IP69 Extreme

Material number: 1188981 (Material number old: 23059201)

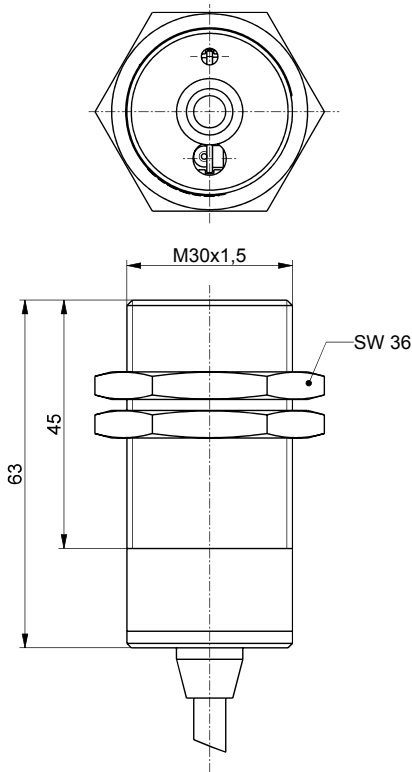
Features/Options:

- Version with higher degree of protection IP 69: suitable for cleaning with 80 °C hot water at 100 bar pressure at a distance of 100 mm from different directions
- Stainless steel enclosure
- Long life
- Reed contacts, coded
- Actuation from front
- Switching distance up to 8 mm
- With pre-wired cable

Notes

- 2 mounting nuts are included in delivery
- The actuator is not included in the delivery of the switches

Dimensions



Technical data

Standards	EN ISO 13849-1; EN ISO 14119; EN 60947-5-2, -3*
Enclosure	Stainless steel 1.4539
Tightening torque	Mounting nut max. 75 Nm
Sensor type	type 4 interlocking device
Coding level	low coding
Degree of protection	IP 66, IP 67, IP 69 (IEC/EN 60529) / IP 69K (ISO 20653)
Switching system	reed contacts
Switching elements	2 NC contacts
Connection	cable 4 x AWG 20
Cable cross-section	4 x 0.56 mm ²
Cable length	2 m

Safety-relevant data:*

EN ISO 13849-1	PL e, Category 4
B _{10d}	20 million
T _M	max. 20 years
MTTF _d	> 100 years
DC/DC _{avg}	> 99 %

Safety requirements n_{op}


h _{op}	8 h/day
d _{op}	220 days/year

Errors and omissions excepted.

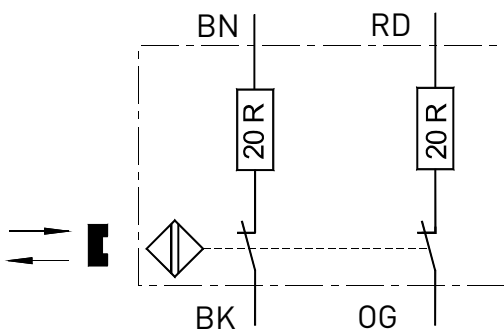


Safety sensors Extreme
 RC Si M30 2Ö - 2m - Niro - IP69 Extreme
 Material number: 1188981 (Material number old: 23059201)

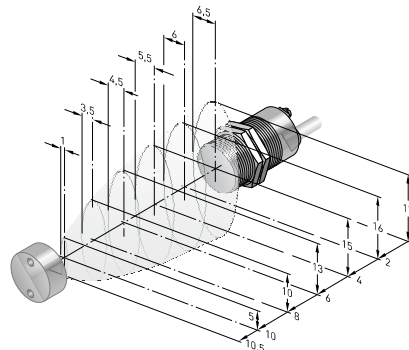
Technical data

t_{zyklus}	20 s/Zyklus
Switching voltage	max. 30 VDC
I_e/U_e	max. 157 mA / 24 VDC
Utilisation category	DC-12
Voltage drop at I_e	3.15 V
Short-circuit current I_k	max. 750 mA for 50 ms
Switching frequency	max. 5 Hz
Degree of pollution	3
Safety class	II
Switching distances: (Minimum distance 2 mm for approach from side.)	s_n = 12 mm nominal switching distance; 10 mm with flush mounting s_{ao} = 10 mm switch-on distance; 8 mm with flush mounting s_{ar} = 25 mm switch-off distance
Repeatability	< 0.5 mm
Hysteresis	≤ 14 mm
Ambient temperature	-20 °C ... +85 °C
Mechanical life	> 10 million operations
Approvals	
	* is only achieved in combination with a safety module
Weight	274 g

Contact diagram



Axial misalignment



Errors and omissions excepted.