



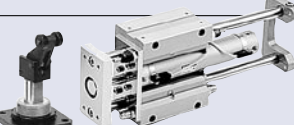


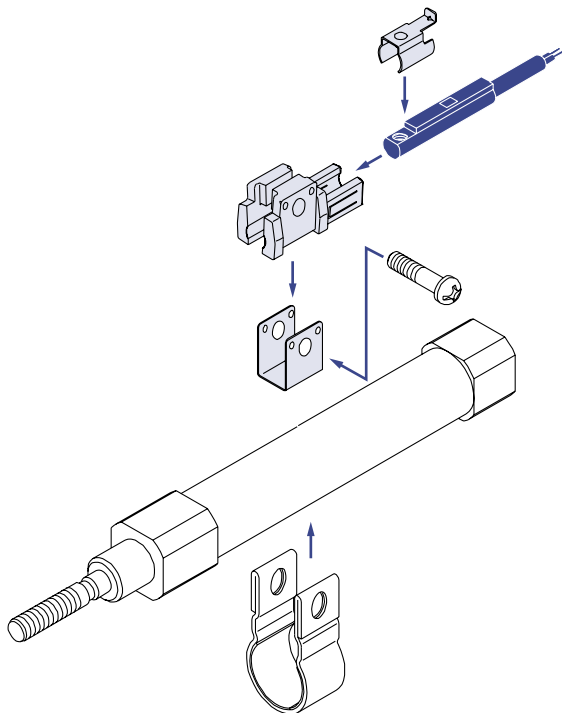
Cylinder Band Mounting

Description		Series	Size
	Air cylinder Standard	CDJ2	6, 10, 16
	End lock cylinder	CDBJ2	16
	Fine lock cylinder	CDLJ2	10, 16
	Low-speed cylinder	CDJ2X	
	Air cylinder Standard	CM2	20, 25, 32, 40
	End lock air cylinder	CDBM2	
	Fine lock cylinder	CDLM2	
	Low-speed cylinder	CDM2X	
	Smooth cylinder	CDM2Y	
	Air cylinder (European specification)	C76	32, 40
	Air cylinder (European specification)	C85 <small>Note 1)</small>	8, 12, 16, 20, 25
	Air cylinder Standard	CDG1	20, 25, 32, 40, 50, 63
	End lock air cylinder	CDBG1	
	Fine lock cylinder	CDLG1	
	Cylinder with lock	CDNG1	
	Smooth cylinder	CDG1Y	
	Cylinder with guide	MGG	20, 25, 32, 40, 50, 63
	Cylinder with guide Compact	MGC	20, 25, 32, 40, 50
	Fine lock cylinder with guide	MLGC	20, 25, 32, 40
	Stopper cylinder	RSDG	40, 50
	Sine cylinder	REC	20, 25, 32, 40
	High power cylinder	RHC	20, 25, 32, 40, 50, 63

Note 1) Mountable only with solid state switches.

Band Mounting

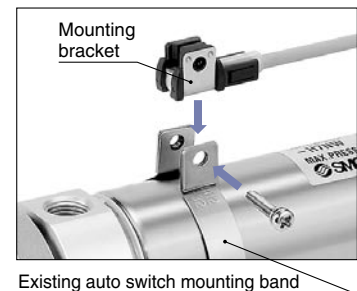
Mountable compact auto switches for circular cylinders.



Switches can be moved without sliding the bands.

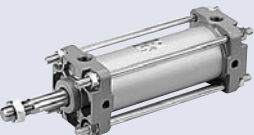
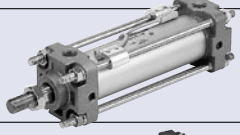
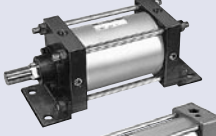



Old type switch bands can be used.



- 1) Switch mounting bracket (blue shaded parts in the left figure): BJ3-1
- 2) Switch mounting bracket (BJ3-1): Please combine the band corresponding to the appropriate cylinder.
- 3) Refer to SMC Information leaflet ('04-E514) for how to order major cylinders.
- 4) Watertight (D-F9BAL(Z)) and vertical electrical entry types (D-M9□V/D-A9□V) cannot be used.

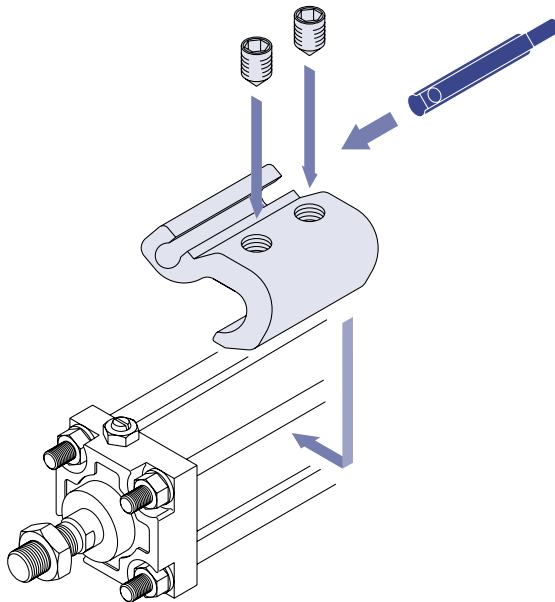
Cylinder Tie-Rod Cylinder Mounting

Description		Series	Size
	Air cylinder Standard	CDA2	40, 50, 63, 80, 100
	End lock air cylinder	CDBA2	
	Fine lock cylinder	CDLA	40, 50, 63, 80, 100 Note 1)
	Cylinder with lock	CDNA	
	Locked-up cylinder	CL1	
	Low-speed cylinder	CDA2X	
	Air-hydro cylinder	CDA2H	
	Low-friction cylinder	CDA2Q	
	Smooth cylinder	CDA2Y	
	Air cylinder Standard	MDB	32, 40, 50, 63, 80, 100, 125
	End lock air cylinder	MDBB	32, 40, 50, 63, 80, 100
	Cylinder with lock	MDNB	
	Air cylinder Standard	CDS1	125, 140, 160, 180, 200
	Cylinder with lock	CDNS	125, 140, 160
	Cylinder with lock	CDLS	125, 140, 160, 180, 200
	Locked-up cylinder	CL1	125, 140, 160
	Air cylinder (European specification)	C95	32, 40, 50, 63, 80, 100, 125, 160, 200 Note 2)

Note 1) ø50: Only solid state switches can be attached.

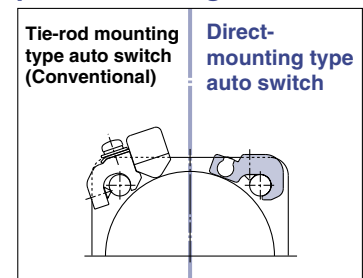
Note 2) Cannot be mounted on ø250.

Tie-Rod Mounting



- 1) Switch mounting bracket (blue shaded parts in the above figure) varies according to the cylinder model and bore size.
- 2) Refer to SMC Information leaflet ('04-E514) for how to order major cylinders.

Reduction in auto switch protrusion height



Auto switch mounting and position adjustment are possible from one direction.

