

# Reed Switch/Band Mounting

## D-C73C/D-C80C

### Connector



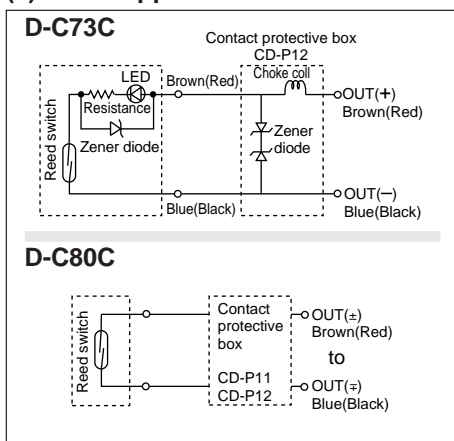
### ⚠ Caution

#### Precautions

- ① Confirm that the connector is appropriately tightened. If tightened insufficiently, the water resistant performance will deteriorate.
- ② Refer to p.5.3-68 for the details.

### Internal Circuit

( ) : If not applicable for IEC Standard



Note) ① In the case operation load is an inductive load.

② In the case the wiring length to load is > 5m.

Be sure to use the auto switch with the contact protection box in any case mentioned above. Refer to p.5.3-6 for the details of contact protection box.

### Applicable Actuator Series

Series	Bore size (mm)
CDJ2	ø6, ø10, ø16
CDVJ	ø10, ø16
CDLJ2	ø16
CDM2, CDBM2, CDVM3, CDVM5, CDLM2	ø20, ø25, ø32, ø40
CDG1, MGG	ø20, ø25, ø32, ø40, ø50, ø63
CDLG1	ø20, ø25, ø32, ø40
RSDG	ø40, ø50
MGC	ø20, ø25, ø32, ø40, ø50
MLGC, RHC, REC	ø20, ø25, ø32, ø40

### Specifications

PLC: Programmable Logic Controller

#### D-C73C (With indicator light)

Auto switch model number	D-C73C
Application	Relay/PLC
Load voltage	24V DC
Load current range	5 to 40mA
Contact protection circuit	None
Internal voltage drop	≤ 2.4V
Indicator light	ON: When red light emitting diode

#### D-C80C (Without indicator light)

Auto switch model number	D-C80C
Application	Relay/PLC
Load voltage	≤ 24V <sup>AC</sup> / <sub>DC</sub>
Max. load current	50mA
Contact protection circuit	None
Internal resistance	≤ 1Ω (Including 3m lead wire)

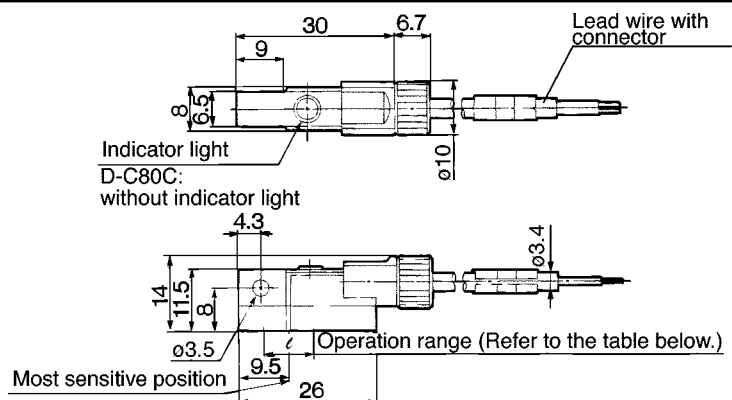
● Lead wire — Oilproof vinyl heavy insulation cable, ø3.4, 0.2mm<sup>2</sup>, 2 cores (Brown, Blue), 0.5m

Note 1) Refer to common specifications on p.5.3-5.

Note 2) Refer to p.5.3-5 for lead wire length.

Note 3) Lead wire with connector may be shipped with switch.

### Dimensions



### Operation Range (ℓ Dimension)

Actuator series	Bore size (mm)								
	6	10	16	20	25	32	40	50	63
CDJ2	6	7	7	—	—	—	—	—	—
CDVJ	—	7	7	—	—	—	—	—	—
CDLJ2	—	—	7	—	—	—	—	—	—
CDM2, CDBM2, CDVM3, CDVM5, CDLM2	—	—	—	7	8	8	8	—	—
CDG1, MGG	—	—	—	8	10	9	10	10	11
CDLG1	—	—	—	8	10	9	10	—	—
RSDG	—	—	—	—	—	—	10	10	—
MGC	—	—	—	8	10	9	10	10	—
MLGC, RHC, REC	—	—	—	8	10	9	10	—	—

Note) Average value at normal temperature including hysteresis. (Tolerance ±30%)