
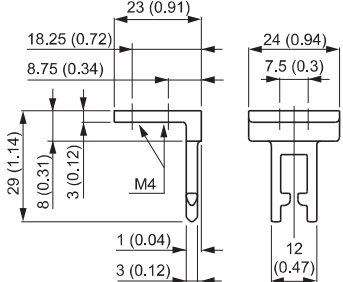

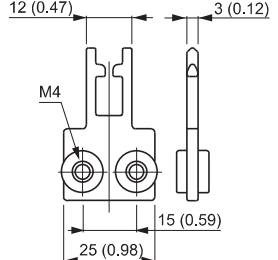

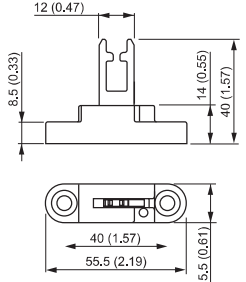

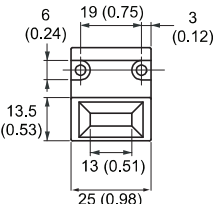

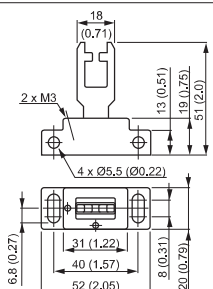


Safety Switches
Accessories
 Actuators

Actuators* (continued)

Item	Description	Approximate Dimensions [mm (in.)]	Cat. No.
	90° actuator, not to be used with metal alignment guide		440K-A21006
	Flat actuator, not to be used with metal alignment guide		440K-A21014
	Metal alignment guide with semi-flexible actuator		440K-A21030
	Metal Alignment Guide		440K-A21069
	Alignment guide with fully-flexible actuator		440K-A27010

* See page 3-8 for Switch Compatibility table.

3-Interlock Switches