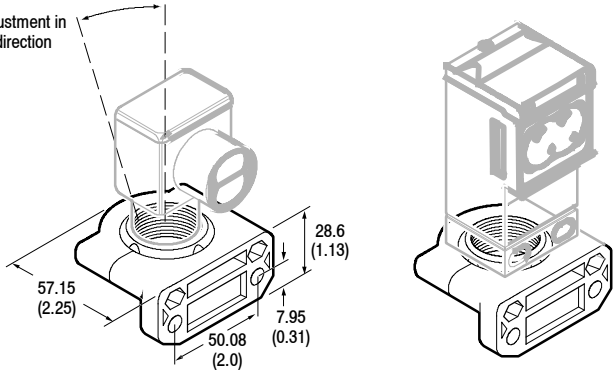
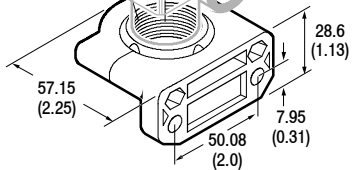
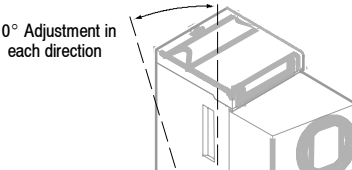
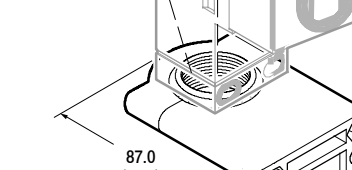
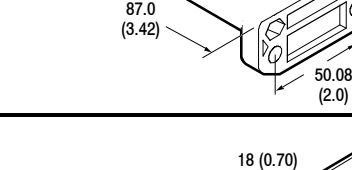
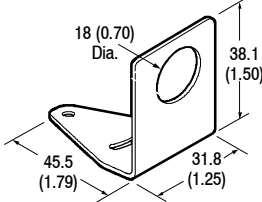
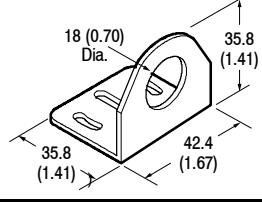
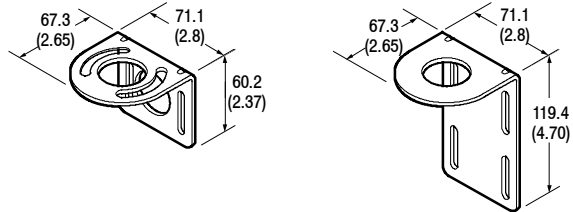


Description	Cat. No.	Used for	Approximate Dimensions [mm (in.)]
Swivel/Tilt bracket allows ± 10° vertical and 360° rotation adjustment.	60-2649	RightSight	 <p>10° Adjustment in each direction</p>
	60-2439	Series 9000 Color Sight LaserSight	 <p>28.6 (1.13) 7.95 (0.31) 50.08 (2.0) 57.15 (2.25)</p>
	60-2681	ClearSight 9000	 <p>10° Adjustment in each direction</p>
	60-2619	Series 7000	 <p>28.6 (1.13) 7.95 (0.31) 50.08 (2.0) 87.0 (3.42)</p>
	60-2618	Series 6000	 <p>28.6 (1.13) 7.95 (0.31) 50.08 (2.0) 87.0 (3.42)</p>
Right angle mounting bracket allows 30° horizontal adjustment.	60-2664	MiniSight 42CA, 42CB	 <p>18 (0.70) Dia. 38.1 (1.50) 45.5 (1.79) 31.8 (1.25)</p>
	60-2657	RightSight MiniSight 42CA, 42CB	 <p>18 (0.70) Dia. 35.8 (1.41) 42.4 (1.67) 35.8 (1.41)</p>
Right angle mounting bracket permits a 360° rotation adjustment. The Cat. No. 60-2513 bracket has mounting hole patterns compatible with the Cat. No. 60-1785.	60-2421 60-2513	Series 9000 ClearSight 9000 ColorSight LaserSight	 <p>67.3 (2.65) 71.1 (2.8) 60.2 (2.37) 119.4 (4.70)</p>