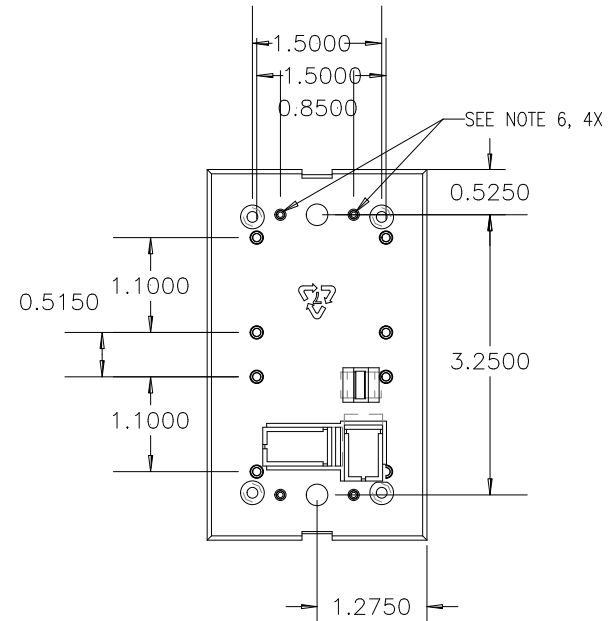
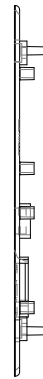
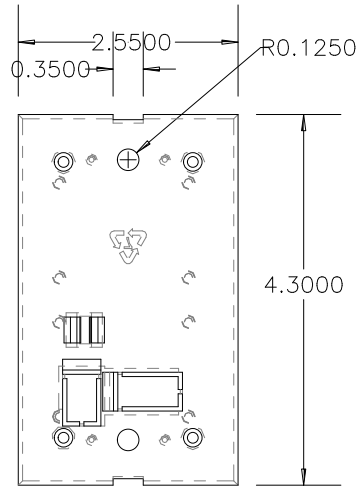


SCALE 0.500



NOTES:

1. MATERIAL: FLAME-RETARDANT ABS
2. COLOR: AS SPECIFIED ON PURCHASE ORDER
3. SCALE = 1X
4. TEXTURE: NONE REQUIRED
5. ELEXTRONIC IGS OR PRO-E FILES WILL BE AVAILABLE FOR ADDITION DIMENSIONS.
- 6: PART TO FIT SECURELY TOGETHER WITH MATING HOLES ON HSG-WALLCOVER

UNLESS OTHERWISE SPECIFIED, ALL DIMENSIONS ARE IN INCHES AND DECIMALS ARE: FRACTION: 1/16" = 0.0625" DECIMAL: .XX = 0.0005" TOLERANCE: DIMENSION: .01" = 0.0005" SEE NOTES	A	INITIAL RELEASE	PTD	PTD	2/9/09
	REV	DESCRIPTION	DRWN	BY/CHECK	DATE
TITLE:		RF Ideas Inc			
PART NO.		WALLPLATE			
PART NO.		HSG-WALLPLATE		REVISION: A	
REVISION:		THIS DRAWING CONTAINS INFORMATION THAT IS PROPRIETARY TO RF IDEAS INC AND SHALL NOT BE USED WITHOUT WRITTEN PERMISSION.			
SHEET NO.		1 OF 1			