

Article number: A\_00850

Lubricant variant: Synthetic lubricants



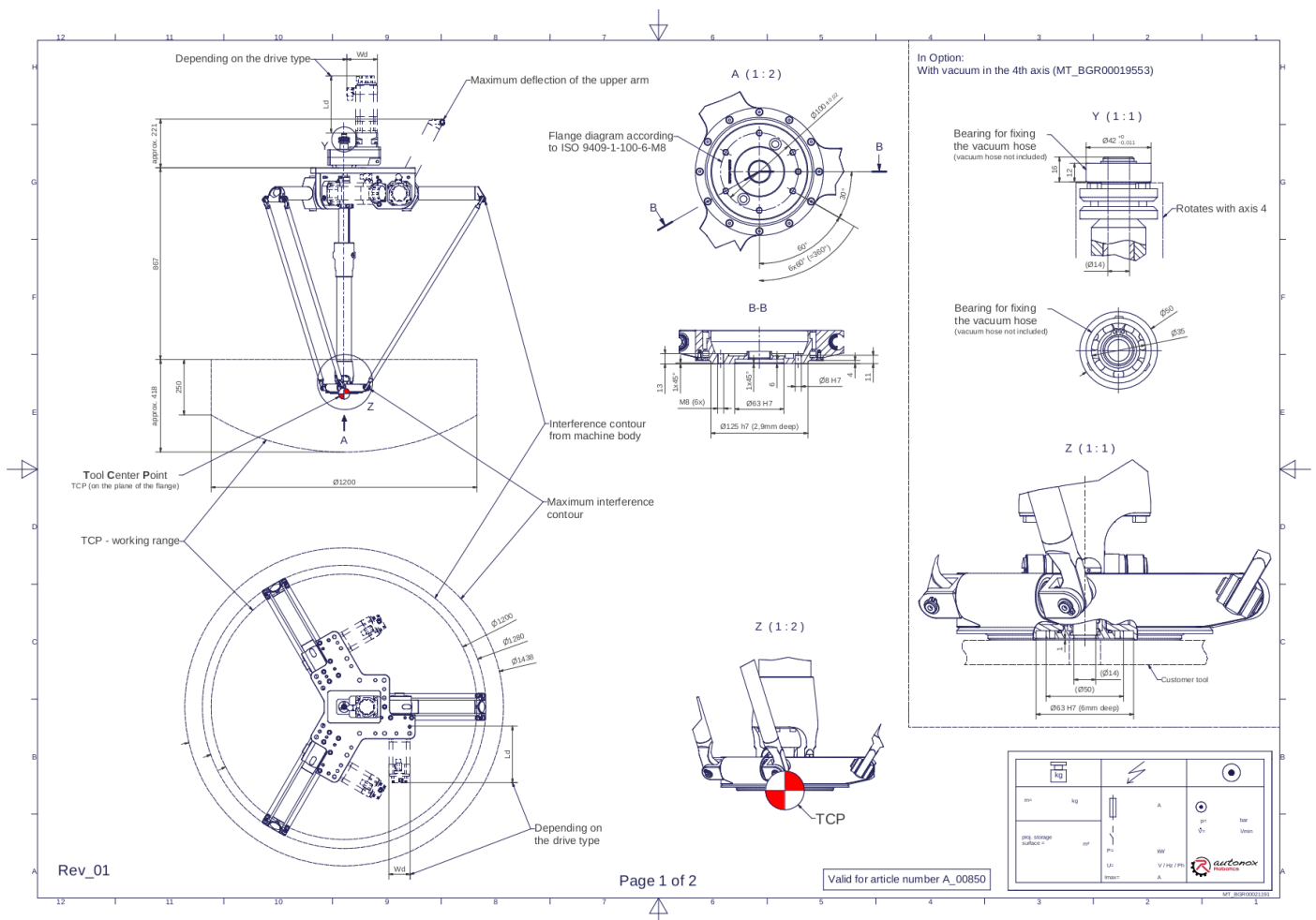
### Description:

This type of robot is based on the principle of parallel kinematics. All drives are mounted in a fixed position on the robot head. Motor cables are not moved. The robot has three (3) translational and one (1) rotational degree(s) of freedom.

### Scope of delivery:

Robot mechanics incl. gearbox, Servo motor adapter, Threaded protection caps, Transport and packing instructions

### Connecting dimensions:



**Downloads:** [Connecting dimensions \(PDF\)](#), [3D model \(STP\)](#), [3D model \(PDF\)](#)

We refer to our [General Terms of Sale and Supply](#), [Terms of use](#) and [Disclaimer and Copyright notices](#).

## Technical specifications:

Field of application	Standard Design
Kinematics	Parallel
Translatory Degrees of Freedom (X,Y,Z)	3
Rotational Degrees of Freedom ( $\alpha, \beta, \gamma$ )	1
Nominal payload [kg   lbs] *	6   13.2
Working area-diameter [mm   in]	1200   47.2
Working height outside [mm   in]	250   9.8
Working height center [mm   in]	418   16.5
Max. acceleration torque of the rotation $\gamma$ around Z at the output [Nm   in.lbs]	100   885.1
Nominal torque of the rotation $\gamma$ around Z at the output [Nm   in.lbs]	88   778.9
Max. speed of the rotation $\gamma$ around Z at the output [1/min]	558
Nominal speed of the rotation $\gamma$ around Z at the output [1/min]	413
Bearing type of the telescopic shaft(s)	Roller bearing
Bearing type of the arm joints	Roller bearing
Lubricants of the bearings	Synthetic
Lubricants of the gearboxes	Synthetic
Cleaning	No high pressure
Ambient temperature [°C   °F]	0 to +40   +32 to +104
Relative humidity level [%]	95 (free of condensation)
Mounting position	Floor, Ceiling, Wall (on request), Angle (on request)
Robot weight without drive engineering (esp. drive) [kg   lbs]	65   143.3

\* All given values are nominal values and can vary under realworld conditions depending on the application (tool specifications, load distances, ...). Please consider our technical data sheets regarding the load capacity.