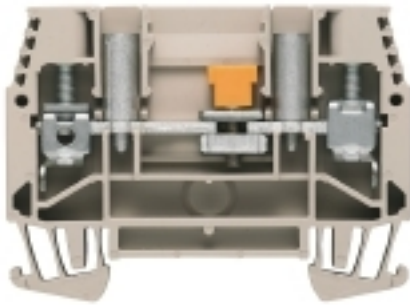


**W-Series  
WTL 6/1/STB**

**Weidmüller Interface GmbH & Co. KG**  
Klingenbergstraße 26  
D-32758 Detmold  
Germany  
Fon: +49 5231 14-0  
Fax: +49 5231 14-292083  
www.weidmueller.com

**Product image****Current and voltage transformer wiring**

Our test disconnect terminal blocks featuring spring and screw connection technology allow you to create all the important converter circuits for measuring current, voltage and power in a safe and sophisticated way.

**General ordering data**

Type	WTL 6/1/STB
Order No.	<a href="#">1016900000</a>
Version	Test-disconnect terminal, Screw connection, 6 mm <sup>2</sup> , 630 V, 41 A, sliding, dark beige
GTIN (EAN)	4008190029715
Qty.	50 pc(s).

**W-Series  
WTL 6/1/STB**

**Weidmüller Interface GmbH & Co. KG**  
 Klingenbergstraße 26  
 D-32758 Detmold  
 Germany  
 Fon: +49 5231 14-0  
 Fax: +49 5231 14-292083  
 www.weidmueller.com

**Technical data****Dimensions and weights**

Width	7.9 mm	Width (inches)	0.311 inch
Height	65 mm	Height (inches)	2.559 inch
Depth	47.5 mm	Depth (inches)	1.87 inch
Depth including DIN rail	48.5 mm	Net weight	23.92 g

**Temperatures**

Storage temperature, max.	40 °C	Storage temperature, min.	10 °C
Storage temperature	10 °C...40 °C	Continuous operating temp., min.	-50 °C
Continuous operating temp., max.	120 °C		

**Environmental Product Compliance**

REACH SVHC	Lead 7439-92-1
------------	----------------

**Material data**

Material	Wemid	Colour	dark beige
UL 94 flammability rating	V-0		

**System specifications**

Version	Screw connection, Spacer, With sockets, One end without connector	End cover plate required	Yes
Number of potentials	1	Number of levels	1
Number of clamping points per level	2	Number of potentials per tier	1
Levels cross-connected internally	No	PE connection	No
Rail	TS 35	N-function	No
PE function	No	PEN function	No

**Additional technical data**

Explosion-tested version	No	Number of similar terminals	1
Open sides	right	Type of mounting	Snap-on

**CSA rating data**

Certificate No. (CSA)	200039-1057876	Current size C (CSA)	45 A
Voltage size C (CSA)	600 V	Wire cross section max. (CSA)	8 AWG
Wire cross section min. (CSA)	20 AWG		

**W-Series**  
**WTL 6/1/STB**

**Weidmüller Interface GmbH & Co. KG**  
 Klingenbergstraße 26  
 D-32758 Detmold  
 Germany  
 Fon: +49 5231 14-0  
 Fax: +49 5231 14-292083  
 www.weidmueller.com

**Technical data****Conductors for clamping (rated connection)**

Blade size	0.8 x 4.0 mm	Clamping range, max.	10 mm <sup>2</sup>
Clamping range, min.	0.5 mm <sup>2</sup>	Clamping screw	M 3.5
Connection cross-section, stranded, max.	10 mm <sup>2</sup>	Connection cross-section, stranded, min.	1.5 mm <sup>2</sup>
Connection direction	on side	Gauge to IEC 60947-1	A5
Number of connections	2	Stripping length	12 mm
Tightening torque, max.	1.6 Nm	Tightening torque, min.	1 Nm
Torque level with DMS electric screwdriver	3	Type of connection	Screw connection
Wire connection cross section AWG, max.	AWG 8	Wire connection cross section AWG, min.	AWG 20
Wire connection cross section, finely stranded, max.	10 mm <sup>2</sup>	Wire connection cross-section, finely stranded with wire-end ferrules DIN 46228/1, max.	6 mm <sup>2</sup>
Wire connection cross-section, finely stranded with wire-end ferrules DIN 46228/1, min.	0.5 mm <sup>2</sup>	Wire connection cross-section, finely stranded with wire-end ferrules DIN 46228/4, max.	6 mm <sup>2</sup>
Wire connection cross-section, finely stranded with wire-end ferrules DIN 46228/4, min.	0.5 mm <sup>2</sup>	Wire connection cross-section, finely stranded, min.	0.5 mm <sup>2</sup>
Wire connection cross-section, solid core, max.	10 mm <sup>2</sup>	Wire connection cross-section, solid core, min.	0.5 mm <sup>2</sup>

**Dimensions**

TS 35 offset	30 mm
--------------	-------

**Disconnect terminals**

Cross-disconnect	without	Integral test socket	Yes
Slitting	sliding	Torque max. screw separator	0.7 Nm
Torque min. screw separator	0.5 Nm		

**Rating data**

Rated cross-section	6 mm <sup>2</sup>	Rated voltage	630 V
Rated current	41 A	Current at maximum wires	57 A
Volume resistance according to IEC 60947-7-x	0.78 mΩ	Power loss in accordance with IEC 60947-7-x	1.31 W
Rated impulse withstand voltage	6 kV	Pollution severity	3

**UL rating data**

Certificate No. (UR)	E60693	Conductor size Factory wiring max. (UR)	8 AWG
Conductor size Factory wiring min. (UR)	20 AWG	Conductor size Field wiring max. (UR)	8 AWG
Conductor size Field wiring min. (UR)	20 AWG	Current size C (UR)	45 A
Voltage size C (UR)	300 V		

**Classifications**

ETIM 6.0	EC000902	ETIM 7.0	EC000902
eClass 9.0	27-14-11-26	eClass 9.1	27-14-11-26
eClass 10.0	27-14-11-26	UNSPSC	30-21-18-11

**Data sheet****W-Series  
WTL 6/1/STB**

**Weidmüller Interface GmbH & Co. KG**  
Klingenbergstraße 26  
D-32758 Detmold  
Germany  
Fon: +49 5231 14-0  
Fax: +49 5231 14-292083  
www.weidmueller.com

**Technical data****Approvals**

Approvals



ROHS

Conform

**Downloads**Approval/Certificate/Document of  
Conformity

[CB Test Certificate](#)  
[CB Certificate](#)  
[DE\\_PT1004\\_20160418\\_993\\_ISSUE01.pdf](#)

Engineering Data

[EPLAN\\_WSCAD\\_Zuken E3.S](#)

Engineering Data

[STEP](#)

User Documentation

[StorageConditionsTerminalBlocks](#)**Safety note**

Safety notice

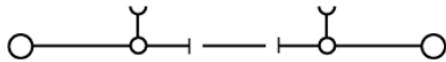
[Safety Information](#)

**Data sheet**

**W-Series**  
**WTL 6/1/STB**

**Weidmüller Interface GmbH & Co. KG**  
Klingenbergstraße 26  
D-32758 Detmold  
Germany  
Fon: +49 5231 14-0  
Fax: +49 5231 14-292083  
[www.weidmueller.com](http://www.weidmueller.com)

**Drawings**



**W-Series  
WTL 6/1/STB**

**Weidmüller Interface GmbH & Co. KG**  
Klingenbergstraße 26  
D-32758 Detmold  
Germany  
Fon: +49 5231 14-0  
Fax: +49 5231 14-292083  
www.weidmueller.com

**Accessories**

**Fixing screws**



**Current and voltage transformer wiring**

Our test disconnect terminal blocks featuring spring and screw connection technology allow you to create all the important converter circuits for measuring current, voltage and power in a safe and sophisticated way.

**General ordering data**

Type	BS 25 IH/GR SAKT1	Version
Order No.	<a href="#">0335300000</a>	SAK Series, Set of fixings
GTIN (EAN)	4008190136864	
Qty.	50 pc(s).	
Type	BS 25 IH/BL SAKT1	Version
Order No.	<a href="#">0335400000</a>	SAK Series, Set of fixings
GTIN (EAN)	4008190086879	
Qty.	50 pc(s).	
Type	BS 25 IH/RT SAKT1	Version
Order No.	<a href="#">0335500000</a>	SAK Series, Set of fixings
GTIN (EAN)	4008190118877	
Qty.	50 pc(s).	
Type	BS 25 IH/VI SAKT1	Version
Order No.	<a href="#">0335800000</a>	SAK Series, Set of fixings
GTIN (EAN)	4008190039196	
Qty.	50 pc(s).	
Type	BS 25 O.IH SAKT1	Version
Order No.	<a href="#">0334700000</a>	SAK Series, Set of fixings
GTIN (EAN)	4008190118839	
Qty.	50 pc(s).	
Type	BS 25 IH/GE SAKT1	Version
Order No.	<a href="#">0335700000</a>	SAK Series, Set of fixings
GTIN (EAN)	4008190189235	
Qty.	50 pc(s).	
Type	BS 25 IH/SW SAKT1	Version
Order No.	<a href="#">0335200000</a>	SAK Series, Set of fixings
GTIN (EAN)	4008190114039	
Qty.	50 pc(s).	
Type	BS 25 IH/GN SAKT1	Version
Order No.	<a href="#">0335600000</a>	SAK Series, Set of fixings
GTIN (EAN)	4008190113490	
Qty.	50 pc(s).	

## W-Series WTL 6/1/STB

**Weidmüller Interface GmbH & Co. KG**  
 Klingenbergstraße 26  
 D-32758 Detmold  
 Germany  
 Fon: +49 5231 14-0  
 Fax: +49 5231 14-292083  
 www.weidmueller.com

## Accessories

### End brackets



#### Klippon® Connect with clamping yoke Technology

The high reliability and variety of designs of the terminal blocks with clamping yoke connections make planning easier and optimises operational safety. Klippon® Connect provides a proven response to a range of different requirements.

#### General ordering data

Type	WEW 35/2	Version
Order No.	<a href="#">1061200000</a>	W-Series, End bracket
GTIN (EAN)	4008190030230	
Qty.	100 pc(s).	

### Shorting link



#### Current and voltage transformer wiring

Our test disconnect terminal blocks featuring spring and screw connection technology allow you to create all the important converter circuits for measuring current, voltage and power in a safe and sophisticated way.

#### General ordering data

Type	QVS 2 SAKT1+2	Version
Order No.	<a href="#">0307300000</a>	SAK Series, Cross-connector, Cross-connector, Number of poles: 2
GTIN (EAN)	4008190036140	
Qty.	20 pc(s).	
Type	QVS 2/S SAKT1+2	Version
Order No.	<a href="#">0358460000</a>	SAK Series, Cross-connector, Cross-connector, Number of poles: 2
GTIN (EAN)	4008190157937	
Qty.	20 pc(s).	
Type	QVS 2/4 SAKT4	Version
Order No.	<a href="#">1319260000</a>	SAK Series, Cross-connector, Cross-connector, Number of poles: 2
GTIN (EAN)	4008190136512	
Qty.	20 pc(s).	
Type	QVS 3 SAKT1+2	Version
Order No.	<a href="#">0329300000</a>	SAK Series, Cross-connector, Cross-connector, Number of poles: 3
GTIN (EAN)	4008190084714	
Qty.	20 pc(s).	
Type	QVS 4 SAKT1+2	Version
Order No.	<a href="#">0307400000</a>	SAK Series, Cross-connector, Cross-connector, Number of poles: 4
GTIN (EAN)	4008190091941	
Qty.	20 pc(s).	

**W-Series  
WTL 6/1/STB**

**Weidmüller Interface GmbH & Co. KG**  
 Klingenbergstraße 26  
 D-32758 Detmold  
 Germany  
 Fon: +49 5231 14-0  
 Fax: +49 5231 14-292083  
 www.weidmueller.com

**Accessories**

**End plates**



**Current and voltage transformer wiring**

Our test disconnect terminal blocks featuring spring and screw connection technology allow you to create all the important converter circuits for measuring current, voltage and power in a safe and sophisticated way.

**General ordering data**

Type	WAP WTL6/1	Version
Order No.	<a href="#">1068300000</a>	W-Series, End plate
GTIN (EAN)	4008190088330	
Qty.	20 pc(s).	
Type	WTW WTL6/1 DB	Version
Order No.	<a href="#">1068400000</a>	W-Series, Test adapter
GTIN (EAN)	4008190091996	
Qty.	20 pc(s).	

**Shorting plug**



**Current and voltage transformer wiring**

Our test disconnect terminal blocks featuring spring and screw connection technology allow you to create all the important converter circuits for measuring current, voltage and power in a safe and sophisticated way.

**General ordering data**

Type	QS 2/8/4	Version
Order No.	<a href="#">0270960000</a>	SAK Series, Short-circuit plug, For the terminals, Number of poles: 2
GTIN (EAN)	4008190077006	
Qty.	20 pc(s).	



**W-Series  
WTL 6/1/STB**

**Weidmüller Interface GmbH & Co. KG**  
 Klingenbergstraße 26  
 D-32758 Detmold  
 Germany  
 Fon: +49 5231 14-0  
 Fax: +49 5231 14-292083  
 www.weidmueller.com

**Accessories**

**QL / SAK 6N**



**Klippon® Connect with clamping yoke Technology**

The high reliability and variety of designs of the terminal blocks with clamping yoke connections make planning easier and optimises operational safety. Klippon® Connect provides a proven response to a range of different requirements.

**General ordering data**

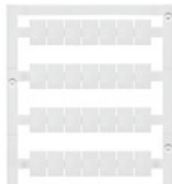
Type	QL 3 SAK6N	Version
Order No.	<a href="#">0194400000</a>	SAK Series, Cross-connector, for cross-connection link, Number of
GTIN (EAN)	4008190063351	poles: 3
Qty.	50 pc(s).	
Type	QL 2 SAK6N	Version
Order No.	<a href="#">0194300000</a>	SAK Series, Cross-connector, for cross-connection link, Number of
GTIN (EAN)	4008190182854	poles: 2
Qty.	50 pc(s).	
Type	QL 10 SAK6N	Version
Order No.	<a href="#">0338300000</a>	SAK Series, Cross-connector, for cross-connection link, Number of
GTIN (EAN)	4008190176679	poles: 10
Qty.	20 pc(s).	
Type	QL 4 SAK6N	Version
Order No.	<a href="#">0194500000</a>	SAK Series, Cross-connector, for cross-connection link, Number of
GTIN (EAN)	4008190025601	poles: 4
Qty.	50 pc(s).	

## W-Series WTL 6/1/STB

**Weidmüller Interface GmbH & Co. KG**  
 Klingenbergstraße 26  
 D-32758 Detmold  
 Germany  
 Fon: +49 5231 14-0  
 Fax: +49 5231 14-292083  
 www.weidmueller.com

# Accessories

## Blank



WS markers are the perfect match for the W-series connectors. Thanks to their system compatibility, the WS tags can also be used with the I-series and the Z-series. The large marking surfaces do not only permit long character strings but also multi-line text. WS markers are ideal for labels with long, customised character strings. Thanks to the proven MultiCard format, printing with laser printer, PrintJet ADVANCED, plotter or MC-Mobilo is possible.

- Can be fitted in strips or individually
- Markers in proven MultiCard format

**For custom printing:** Please send us a file of our labeling software M-Print PRO or M-Print PRO Online (without installation) for your labeling specifications.

### General ordering data

Type	WS 12/8 PLUS MC NE WS	Version
Order No.	<a href="#">1906000000</a>	WS, Terminal marker, 12 x 8 mm, Pitch in mm (P): 8.00 Weidmueller,
GTIN (EAN)	4032248528158	white
Qty.	420 pc(s).	

## Small partition



**Klippon® Connect with clamping yoke Technology**  
 The high reliability and variety of designs of the terminal blocks with clamping yoke connections make planning easier and optimises operational safety. Klippon® Connect provides a proven response to a range of different requirements.

### General ordering data

Type	TSCH 2	Version
Order No.	<a href="#">0353660000</a>	SAK Series, Small partition, beige, 0.6 mm
GTIN (EAN)	4008190128432	
Qty.	100 pc(s).	

## W-Series WTL 6/1/STB

**Weidmüller Interface GmbH & Co. KG**  
 Klingenbergstraße 26  
 D-32758 Detmold  
 Germany  
 Fon: +49 5231 14-0  
 Fax: +49 5231 14-292083  
 www.weidmueller.com

## Accessories

### Connection sleeves



VH 12/4.9/3.3 024900

#### Klippon® Connect with clamping yoke Technology

The high reliability and variety of designs of the terminal blocks with clamping yoke connections make planning easier and optimises operational safety. Klippon® Connect provides a proven response to a range of different requirements.

#### General ordering data

Type	VH 12/4.9/3.3 SAK6N	Version
Order No.	<a href="#">0249000000</a>	SAK Series, Connecting sleeve, for cross-connection link, Number of
GTIN (EAN)	4008190129507	poles:
Qty.	100 pc(s).	
Type	VH 19/6/4.2 SAKT1	Version
Order No.	<a href="#">0318000000</a>	SAK Series, Connecting sleeve, for cross-connection link, Number of
GTIN (EAN)	4008190059460	poles: 1
Qty.	50 pc(s).	

### Blank



The Dekafix (DEK) marker is the universal marker for all conductor and plug-in connectors as well as for electronic sub-assemblies. The system is ideal for short number sequences and covers a wide range of ready-printed markers.

Strips for fast installation in only one work step. The printing is easy to read, rich in contrast and available in various widths.

- Large range of ready-to-use markers
- Strips for fast installation
- Terminal markers, suitable for all Weidmüller cable connectors
- Available as blank MultiCard or with standard printing

**For custom printing:** Please send us a file of our labeling software M-Print PRO or M-Print PRO Online (without installation) for your labeling specifications.

#### General ordering data

Type	DEK 5/8 MC NE WS	Version
Order No.	<a href="#">1856740000</a>	Dekafix, Terminal marker, 5 x 8 mm, Pitch in mm (P): 8.00
GTIN (EAN)	4032248400850	Weidmueller, white
Qty.	800 pc(s).	

## W-Series WTL 6/1/STB

**Weidmüller Interface GmbH & Co. KG**  
 Klingenbergstraße 26  
 D-32758 Detmold  
 Germany  
 Fon: +49 5231 14-0  
 Fax: +49 5231 14-292083  
 www.weidmueller.com

# Accessories

## Test sockets



### Current and voltage transformer wiring

Our test disconnect terminal blocks featuring spring and screw connection technology allow you to create all the important converter circuits for measuring current, voltage and power in a safe and sophisticated way.

### General ordering data

Type	STB 25 IH/GN	Version
Order No.	<a href="#">0271200000</a>	SAK Series, Socket
GTIN (EAN)	4008190155889	
Qty.	50 pc(s).	
Type	STB 35 IH/BL	Version
Order No.	<a href="#">0388700000</a>	SAK Series, Socket
GTIN (EAN)	4008190082383	
Qty.	50 pc(s).	
Type	STB 30.5 IH/RT	Version
Order No.	<a href="#">0341300000</a>	SAK Series, Socket
GTIN (EAN)	4008190157852	
Qty.	50 pc(s).	
Type	STB 30.5 IH/GR	Version
Order No.	<a href="#">0341100000</a>	SAK Series, Socket
GTIN (EAN)	4008190083960	
Qty.	50 pc(s).	
Type	STB 25 IH/SW	Version
Order No.	<a href="#">0271500000</a>	SAK Series, Socket
GTIN (EAN)	4008190030162	
Qty.	50 pc(s).	
Type	STB 25 IH/VI	Version
Order No.	<a href="#">0271300000</a>	SAK Series, Socket
GTIN (EAN)	4008190111342	
Qty.	50 pc(s).	
Type	STB 35 IH/GN	Version
Order No.	<a href="#">0388900000</a>	SAK Series, Socket
GTIN (EAN)	4008190010409	
Qty.	50 pc(s).	
Type	STB 25 IH/GR	Version
Order No.	<a href="#">0271400000</a>	SAK Series, Socket
GTIN (EAN)	4008190029692	
Qty.	50 pc(s).	
Type	STB 35 IH/GE	Version
Order No.	<a href="#">0389000000</a>	SAK Series, Socket
GTIN (EAN)	4008190396985	
Qty.	50 pc(s).	
Type	STB 30.5 IH/SW	Version
Order No.	<a href="#">0341000000</a>	SAK Series, Socket
GTIN (EAN)	4008190015299	
Qty.	50 pc(s).	

**W-Series**  
**WTL 6/1/STB**

**Weidmüller Interface GmbH & Co. KG**  
 Klingenbergstraße 26  
 D-32758 Detmold  
 Germany  
 Fon: +49 5231 14-0  
 Fax: +49 5231 14-292083  
 www.weidmueller.com

**Accessories**

Type	STB 25 IH/GE	Version
Order No.	<a href="#">0267200000</a>	SAK Series, Socket
GTIN (EAN)	4008190002862	
Qty.	50 pc(s).	
Type	STB 30.5 IH/GE	Version
Order No.	<a href="#">0341500000</a>	SAK Series, Socket
GTIN (EAN)	4008190130961	
Qty.	50 pc(s).	
Type	STB 35 IH/SW	Version
Order No.	<a href="#">0388500000</a>	SAK Series, Socket
GTIN (EAN)	4008190089726	
Qty.	50 pc(s).	
Type	STB 35 IH/GR	Version
Order No.	<a href="#">0388600000</a>	SAK Series, Socket
GTIN (EAN)	4008190140656	
Qty.	50 pc(s).	
Type	STB 25 IH/RT	Version
Order No.	<a href="#">0343300000</a>	SAK Series, Socket
GTIN (EAN)	4008190034115	
Qty.	50 pc(s).	
Type	STB 35 IH/VI	Version
Order No.	<a href="#">0389100000</a>	SAK Series, Socket
GTIN (EAN)	4008190137755	
Qty.	50 pc(s).	
Type	STB 25 IH/BL	Version
Order No.	<a href="#">0343400000</a>	SAK Series, Socket
GTIN (EAN)	4008190107192	
Qty.	50 pc(s).	
Type	STB 30.5 IH/BL	Version
Order No.	<a href="#">0341200000</a>	SAK Series, Socket
GTIN (EAN)	4008190044077	
Qty.	50 pc(s).	
Type	STB 30.5 IH/GN	Version
Order No.	<a href="#">0341400000</a>	SAK Series, Socket
GTIN (EAN)	4008190008093	
Qty.	50 pc(s).	
Type	STB 35 IH/RT	Version
Order No.	<a href="#">0388800000</a>	SAK Series, Socket
GTIN (EAN)	4008190177485	
Qty.	50 pc(s).	
Type	STB 30.5 IH/VI	Version
Order No.	<a href="#">0341600000</a>	SAK Series, Socket
GTIN (EAN)	4008190026035	
Qty.	50 pc(s).	

**Data sheet**

**W-Series  
WTL 6/1/STB**

**Weidmüller Interface GmbH & Co. KG**  
 Klingenbergstraße 26  
 D-32758 Detmold  
 Germany  
 Fon: +49 5231 14-0  
 Fax: +49 5231 14-292083  
 www.weidmueller.com

**Accessories**

**Switch lock**



**Current and voltage transformer wiring**

Our test disconnect terminal blocks featuring spring and screw connection technology allow you to create all the important converter circuits for measuring current, voltage and power in a safe and sophisticated way.

**General ordering data**

Type	SSP 3 SAKT1	Version
Order No.	<a href="#">0531760000</a>	SAK Series, Lockout device
GTIN (EAN)	4008190130787	
Qty.	100 pc(s).	